



Town of Glastonbury

Community Development

TO: Town Plan & Zoning Commission
PREPARED BY: Gary Haynes; Planner
DATE: October 10, 2024
RE: **Modification to Crosby II Subdivision**

The applicant is requesting modification to their Subdivision originally approved by TPZ on 5/16/23 (conditional approval) and 1/16/24 (final approval).

Applicant is requesting reduction in size of proposed cistern from 30k gallons to 20k gallons. The applicant has worked with the Town Fire Chief and Fire Marshal and received their approval in the Fire Marshal's Memorandum dated October 2, 2024.

Recommendation

If the Commission is in support of proposed modification, the following motion is offered for consideration:

MOVED, that the Town Plan and Zoning Commission approve the modification of Rejean Jacques for a modification to the Crosby II Subdivision approval– reduction of cistern from 30,000 to 20,000 gallons – in accordance with plans filed in the Office of Community Development:

And

1. In adherence to:
 - a. The Town Engineer's memorandum dated October 10, 2024.
 - b. The Health Director's memorandum dated October 9, 2024.
 - c. The Police Chief's memorandum dated October 7, 2024.
 - d. The Fire Marshal's memorandum dated October 2, 2024.
2. Applicant shall file approval letter on the land records of the Town Clerk to document the modification to the conditional subdivision approval.
3. If unforeseen conditions are encountered during construction that would cause deviation from the approved plans, the applicant shall consult with the Office of Community Development to determine what further approvals, if any, are required.

APPROVED: TOWN PLAN & ZONING COMMISSION
OCTOBER 15, 2024

ROBERT J. ZANLUNGO, JR., CHAIRMAN

October 10, 2024

MEMORANDUM

To: Town Plan and Zoning Commission
Shelley Caltagirone, Director of Community Development

From: Stephen Braun, Assistant Town Engineer

Stephen M. Braun
Digitally signed by
Stephen M. Braun
Date: 2024.10.10
10:01:31-04'00'

Re: Modification to Crosby II Subdivision Approval
For 20,000 Gallon Fire Tank

The Engineering Division has reviewed the plans for the proposed modification to the Crosby II Subdivision to accommodate a 20,000-gallon fiberglass cistern as prepared by Megson, Heagle, and Friend Civil Engineers and Land Surveyors, LLC including plans last revised September 24, 2024 and offers the following comments:

1. The proposed slope rights easement, fire tank easement, and release of existing fire tank easement documents shall be provided to the Engineering Division for review and approval prior to recording on the land records.
2. Applicant shall provide an electronic copy of the final stamped and signed plans in PDF form to the Town Engineer.



Town of Glastonbury
Health Department

MEMORANDUM

Date: October 9, 2024

To: Town Planning & Zoning, Conservation & WPCA Commissions

From: Don Kendrick, R.S., Sanitarian *DKK*

Re: 20,000 Gallon Fire Tank, Crosby II Subdivision (Lot 7, 89 Crosby Road)

The Department recommends approval of this proposal. While the fire tank is approximately 50 feet from the proposed water supply well at this address it does not appear to be a potential source of contamination.

Revised 9-22-17



Town of Glastonbury

GLASTONBURY POLICE DEPARTMENT • TEL (860) 633-8301 • FAX (860) 652-4290

CHIEF OF POLICE
Marshall S. Porter

CAPTAIN
Mark Catania

MEMORANDUM

TO: Town Plan and Zoning Commission

FROM: Marshall S. Porter, Chief of Police

DATE: 10/07/2024

RE: Crosby II Subdivision- Request for size reduction of a cistern.

Members of the Police Department have reviewed the application and plans for a request to reduce the size of a cistern within the Crosby II subdivision. The Police Department has no objection to the proposal.

MSP/ns





Town of Glastonbury

FIRE MARSHAL'S OFFICE • (860) 652-7526 • FireMarshal@glastonbury-ct.gov

TO: Gary Haynes; Planner

FROM: Michael Makuch; Fire Marshal

DATE: October 2, 2024

RE: October 15, 2024 TP&Z Meeting-Item #1-Crosby II.

The Fire Marshal's Office has participated in multiple meetings as well as having done a review of the latest submission and has determined that the proposed reduction of the tank size to 20,000 gallons is acceptable due to site limitations. This determination is in concert with the fire chief and recognizes that meeting the Town of Glastonbury's standard, and the national standard of the Insurance Service Organization (ISO), of 30,000 gallons is impractical.

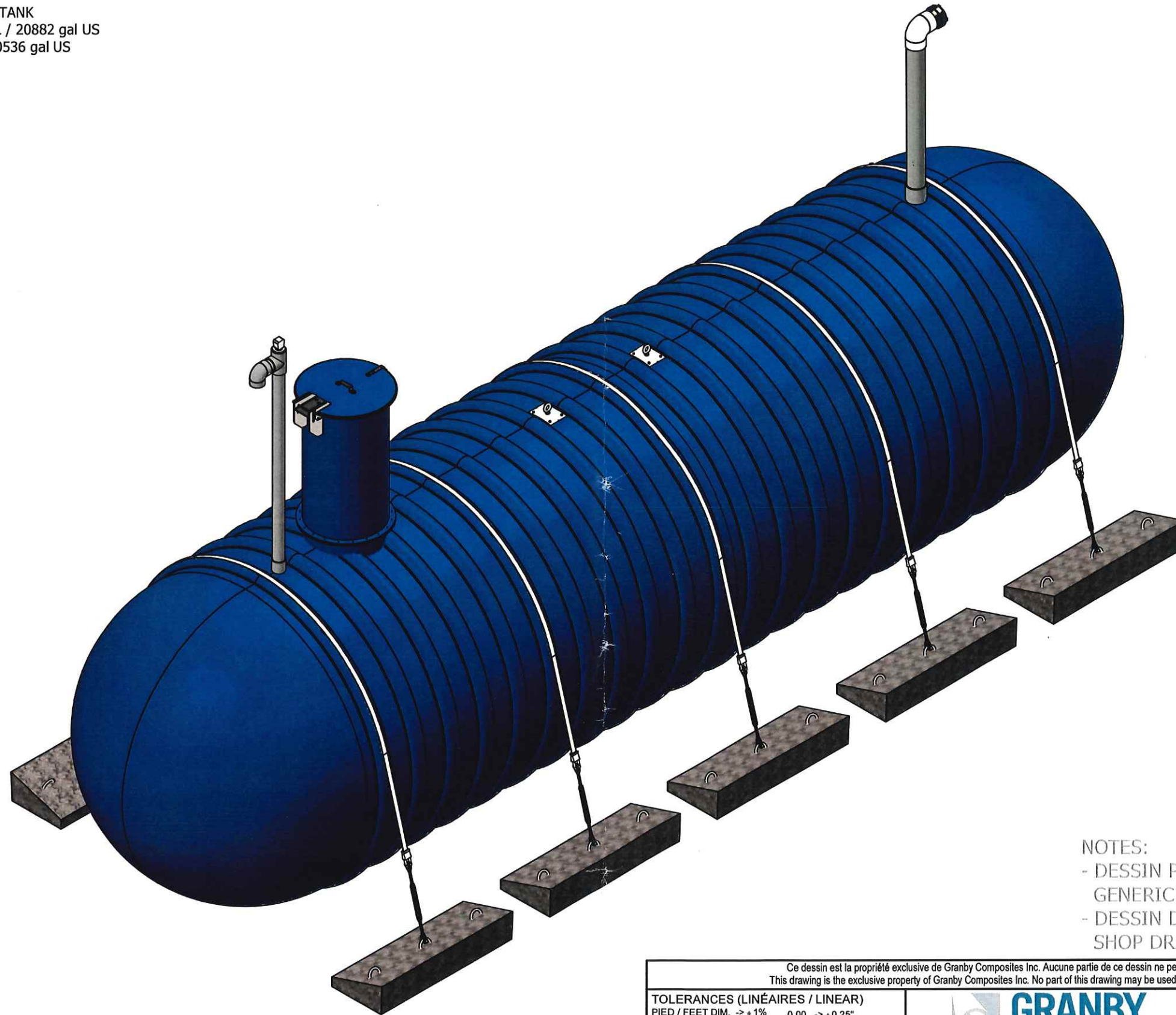
Respectfully,

MS Makuch

Michael Makuch
Fire Marshal

NN10210791FP

RÉSERVOIR DE FIBRE DE VERRE / FIBERGLASS TANK
 CAPACITÉ TOTALE / TOTAL CAPACITY : 79045 L / 20882 gal US
 CAPACITÉ UTILE / NET CAPACITY : 77737 L / 20536 gal US



NOTES:

- DESSIN POUR RÉFÉRENCE SEULEMENT /
 GENERIC DRAWING FOR REFERENCE ONLY
- DESSIN D'ATELIER DISPONIBLE SUR DEMANDE /
 SHOP DRAWING AVAILABLE ON REQUEST

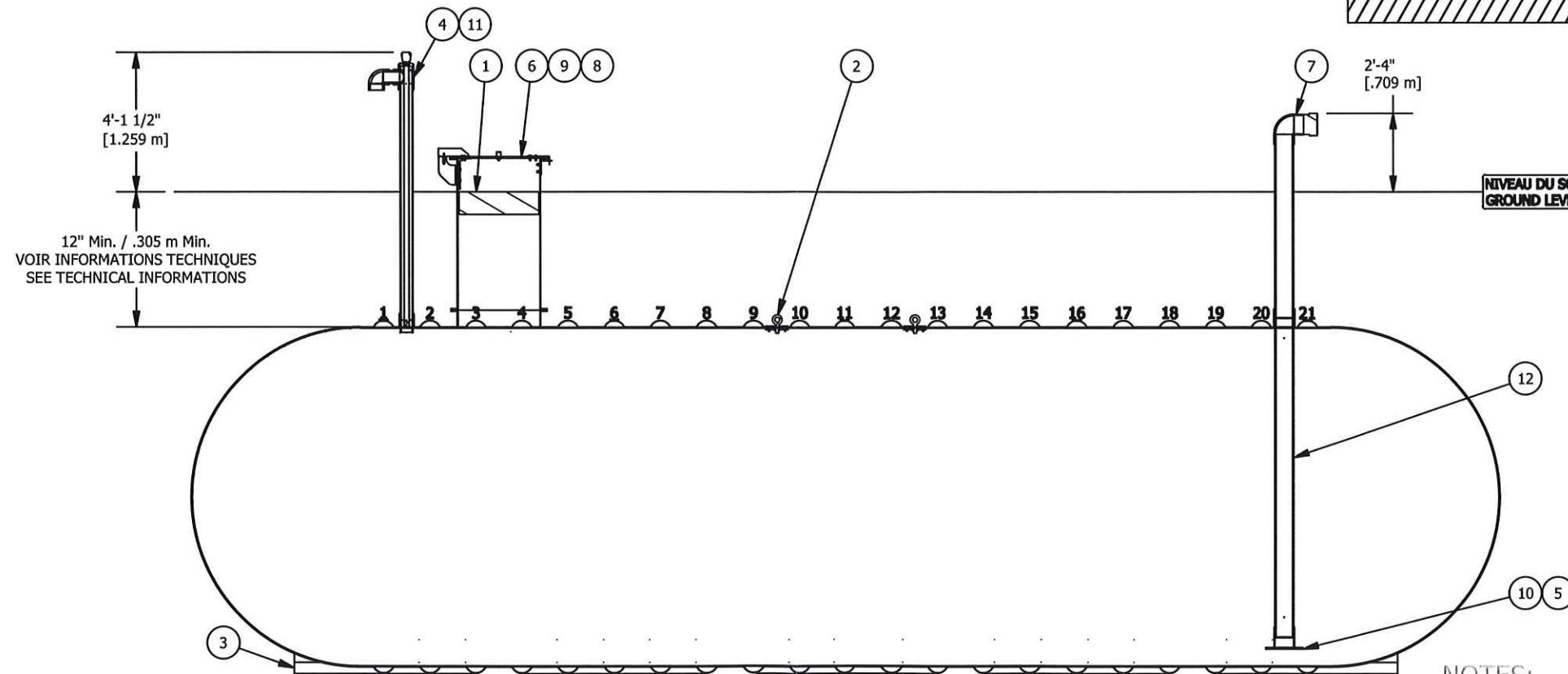
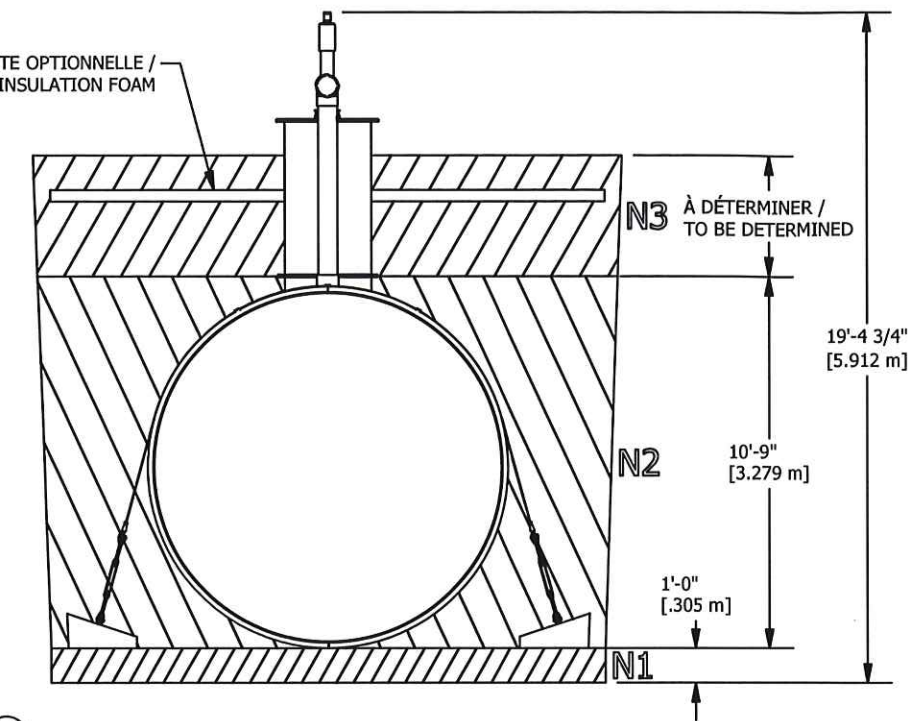
Ce dessin est la propriété exclusive de Granby Composites Inc. Aucune partie de ce dessin ne peut être utilisée ou reproduite sans sa permission écrite. This drawing is the exclusive property of Granby Composites Inc. No part of this drawing may be used or reproduced in any manner without its written permission.		2019
TOLERANCES (LINÉAIRES / LINEAR) PIED / FEET DIM. → ± 1% 0.00 → ± 0.25" 0.0 → ± 0.5" 0.000 → ± 0.125"		GRANBY COMPOSITES Description de la révision / Revision description
TOLERANCES (ANGULAIRES / ANGULAR) 0 → ± 2 DEG. 0.0 → ± 0.5 DEG. 0.00 → ± 0.1 DEG.		
Dessiné par / Drawn by O. Marin		Format No de la pièce / Part no. REV B NN10210791FP 02.
Poids / Weight : 5878 Lb / 2666 Kg		Description / Title RÉSERVOIR 10' Dia. / 79045 L / 20882 gal US - TANK
Client	# Projet	Feuille / Sheet 1 / 4

Item	Numéro de pièce / Part Number	Qté / Qty	Description	Check List
1	ADF0000001	1	FOAM 28-3/4" DIA. x 8" / R-35	
2	ADP0000001	2	PLAQUES DE LEVAGE (Granby #AS1108) - LIFTING LUG	
3	ENSCOUR10	5	JEUX DE COURROIES ET BLOCS DE BÉTON - ANCHORING KIT	
4	EV480J	1	ENSEMBLE ÉVENT AVEC JAUGE ET GRILLE ANTI-AVIAIRE SST - 4" SCH. 80 - VENT KIT WITH GAUGE AND SST BIRD SCREEN	
5	FPU0600401	1	UNION GRIS - 6" F X 6" F - SCH.40 - COUPLING GRAY	
6	GMHE30-COVER01	1	COUVERCLE DE TROU HOMME CADENASSABLE AVEC PENTURE - 30" DIA. FRP. - LOCKABLE MAN HOLE COVER WITH HINGE	
7	KB-BNH0600090	1	ENSEMBLE BORNE FONTAINE - 6"NH 90° - FIRE HYDRANT KIT	
8	MH-30 (6"L.)	1	TROU D'HOMME - 30" DIA. x 6" L. - MANHOLE	
9	MHE-30 (54"L.)	1	EXTENSION DE TROU D'HOMME - 30" DIA. x 54" L. - MANHOLE EXTENSION	
10	PFV01313	1	PLAQUE ANTI-VORTEX 0.5" x 13.25" x 13.25" - ANTI-VORTEX PLATE	
11	TP80400G01 (4.25"L.)	1	TUYAU PVC GRIS - 4" SCH.80 - PVC PIPE GREY	
12	TP80600G01 (113.203"L.)	1	TUYAU PVC GRIS - 6" SCH.80 - PVC PIPE GREY	

PROPRIÉTÉS DU REMBLAI / BACKFILL PROPERTIES

- N1 - GRAVILLON 1/8" À 3/4" OU PIERRE NETTE 1/2" / 1/8" TO 3/4" PEA GRAVEL OR 1/2" CRUSHED STONE
- N2 - REMBLAI PRIMAIRE, GRAVILLON 1/8" À 3/4" OU PIERRE NETTE 1/2" / PRIMARY BACKFILL, 1/8" TO 3/4" PEA GRAVEL OR 1/2" CRUSHED STONE
- N3 - REMBLAI SECONDAIRE, SABLE GROSSIER OU GRAVIER 1 1/2" OU MOINDRE / SECONDARY BACKFILL, COARSE SAND OR GRAVEL 1 1/2" OR LESS

PAROI ISOLANTE OPTIONNELLE / OPTIONAL INSULATION FOAM



VUE D'ÉLEVATION COUPÉE / CUT ELEVATION VIEW

Ancrege optionel selon les conditions du terrain / Optional anchoring depending on the tank's environment

Informations techniques / Technical informations

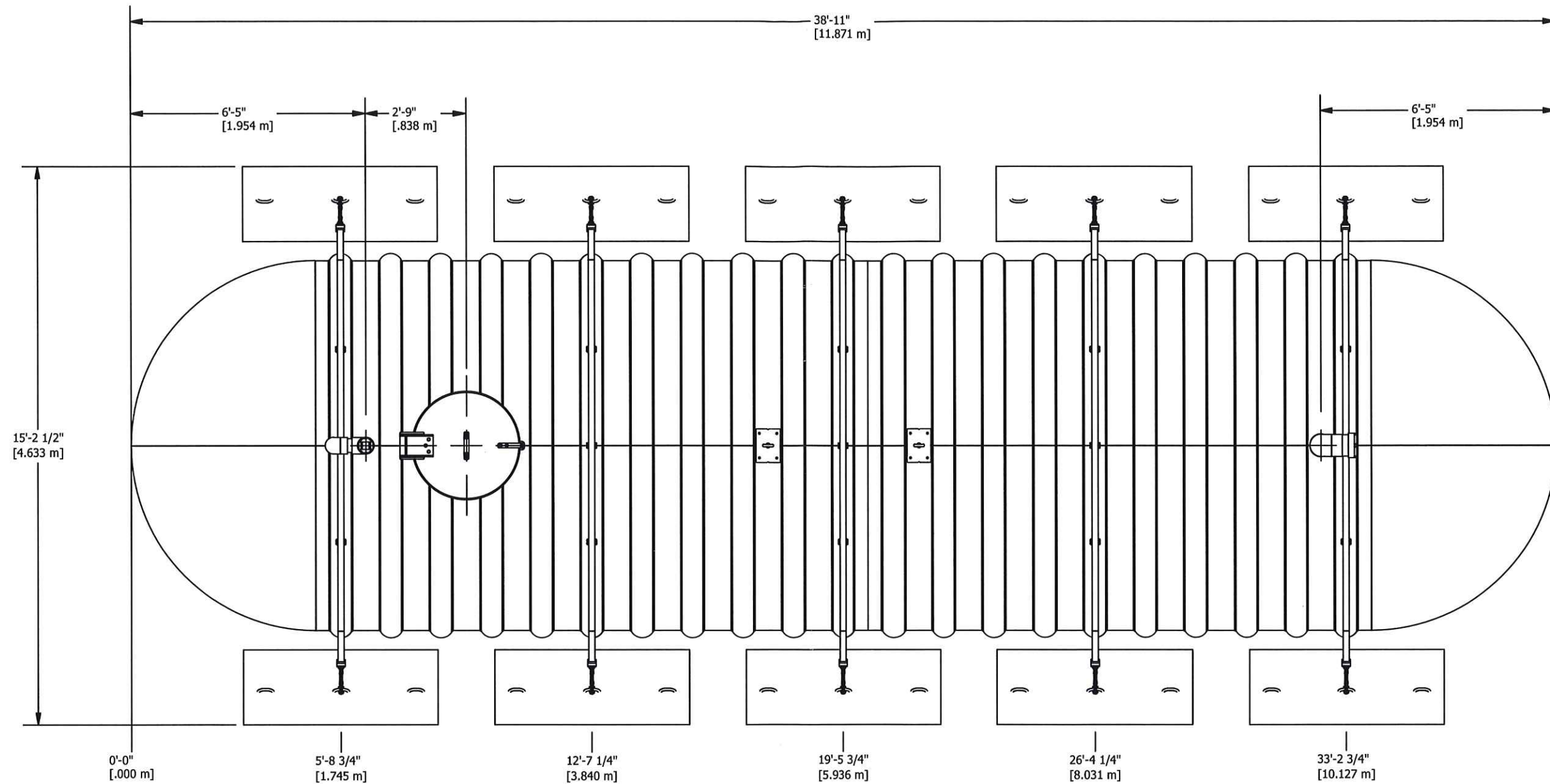
- Profondeur d'enfouissement / Burial depth: Selon les conditions géotechniques d'installation / According to the geotechnical installation conditions
- Diamètre intérieur / Inside Diameter : 120" / 3.048 m
- (Si requis) Quantité de courroies de fibre de verre avec attaches en acier galvanisé / (If required) Quantity of fiberglass anchoring straps : 5
- (Si requis) Quantité de blocs de béton armé / (If required) Quantity of reinforced concrete deadman anchors : 10
- Levage simultané par 2 ancrages. L'angle des (chaînes ou courroies, etc.) ne doit pas être inférieur à 60° par rapport à l'horizontale / Simultaneous lifting by 2 lugs. The angle of the (chains or belts, etc.) must not be less than 60° from the horizontal
- Le poids sur le dessin n'inclut pas les jeux de courroies et blocs de béton. / The weight on the drawing does not include kits of belts and concrete blocks.
- Évalué HS-20 à une profondeur d'enfouissement de 36 à 84 pouces, .9144 m à 2.134 m / HS-20 rated for burial depth from 36 to 84 inches, .9144 m to 2.134 m
- Fabriqué selon les exigences ANSI-AWWA D120 / Manufactured according to ANSI-AWWA D120 requirements
- Épreuve d'étanchéité en usine sous pression d'air à 35 kPa (5psig) / Airtightness test performed at the factory at 35 kPa (5psig)

Le réservoir doit être installé selon les instructions du fabricant. / The tank must be installed in accordance with the manufacturer's instructions.

NOTES:

- DESSIN POUR RÉFÉRENCE SEULEMENT / GENERIC DRAWING FOR REFERENCE ONLY
- DESSIN D'ATELIER DISPONIBLE SUR DEMANDE / SHOP DRAWING AVAILABLE ON REQUEST

Ce dessin est la propriété exclusive de Granby Composites Inc. Aucune partie de ce dessin ne peut être utilisée ou reproduite sans sa permission écrite. / This drawing is the exclusive property of Granby Composites Inc. No part of this drawing may be used or reproduced in any manner without its written permission.		2019
TOLERANCES (LINÉAIRES / LINEAR) PIED / FEET DIM. -> ±1% 0.00 -> ±0.25" 0.0 -> ±0.5" 0.000 -> ±0.125"		GRANBY COMPOSITES
TOLERANCES (ANGULAIRES / ANGULAR) 0 -> ± 2 DEG. 0.0 -> ± 0.5 DEG. 0.00 -> ± 0.1 DEG.		
Poids / Weight : 5878 Lb / 2666 Kg		Description de la révision / Revision description
Dessiné par / Drawn by : O. Marin		Format : B
Approuvé par / Approved by :		No de la pièce / Part no. : NN10210791FP
Client :		REV : 02.
# Projet :		Description / Title : RÉSERVOIR 10' Dia. / 79045 L / 20882 gal US - TANK
Feuille / Sheet : 2 / 4		

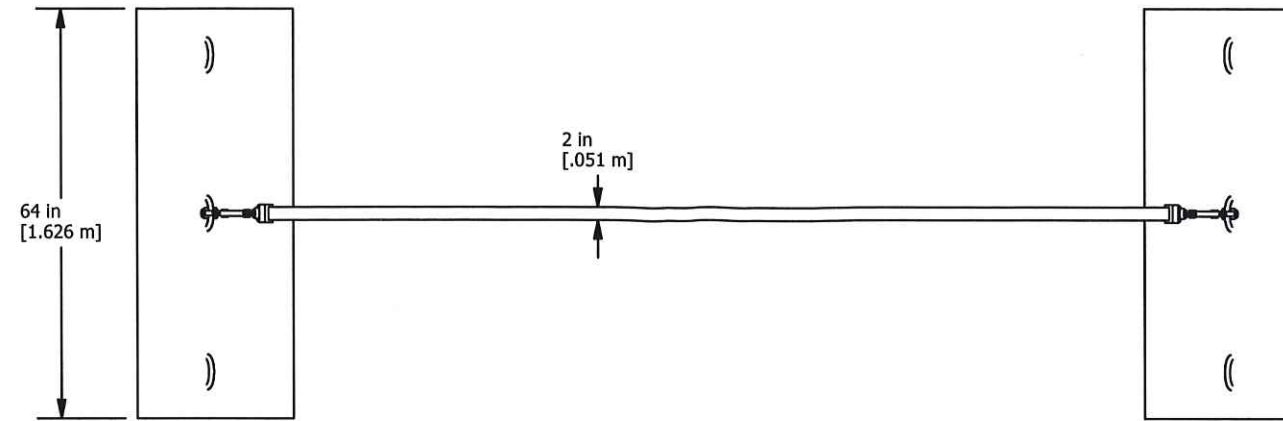


VUE DE PLAN
PLAN VIEW

NOTES:

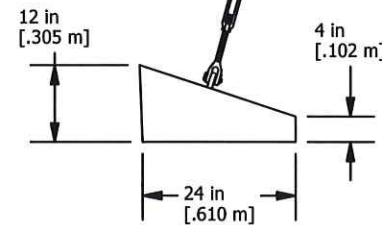
- DESSIN POUR RÉFÉRENCE SEULEMENT /
GENERIC DRAWING FOR REFERENCE ONLY
- DESSIN D'ATELIER DISPONIBLE SUR DEMANDE /
SHOP DRAWING AVAILABLE ON REQUEST

Ce dessin est la propriété exclusive de Granby Composites Inc. Aucune partie de ce dessin ne peut être utilisée ou reproduite sans sa permission écrite. This drawing is the exclusive property of Granby Composites Inc. No part of this drawing may be used or reproduced in any manner without its written permission.		2019
TOLERANCES (LINÉAIRES / LINEAR) PIED / FEET DIM. → ±1% 0.00 → ±0.25" 0.0 → ±0.5" 0.000 → ±0.125"		Description de la révision / Revision description
TOLERANCES (ANGULAIRES / ANGULAR) 0 → ± 2 DEG. 0.0 → ± 0.5 DEG. 0.00 → ± 0.1 DEG.		Format B No de la pièce / Part no. NN10210791FP REV 02.
Poids / Weight: 5878 Lb / 2666 Kg		Description / Title
Dessiné par / Drawn by: O. Marin 13/02/2023 Approuvé par / Approved by:		RÉSERVOIR 10' Dia. / 79045 L / 20882 gal US - TANK
Client	# Projet	Feuille Sheet 3 / 4

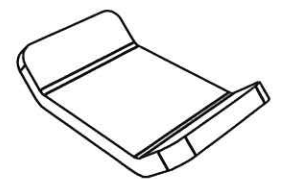


Courroie de fibre verre 252"L. x 3/16" avec anneaux /
252"L. x 3/16" FRP Strap with rings

Tendeur forgé en acier galvanisé Ø3/4" x 12" /
Ø3/4" x 12" Galvanized steel forged turnbuckle



ITEM : ENSCOUR10



Guide de courroie en fibre de verre -
Fiberglass Strap Guide

Directement installé sur le réservoir -
Directly installed on the tank

Tendeur / Turnbuckle

- Forgé d'acier au carbone, galvanisé à chaud / Forged carbon steel, hot-dip galvanized
- Conformément aux spécifications américaines FF-T-791B Type 1, forme 1 (cage ouverte) / In accordance with US specifications FF-T-791B Type 1, Form 1 (open cage).
- Coefficient de sécurité 5:1 / Safety factor 5:1
- Charge utile à 5,200 Lbs / Working load 5,200 Lbs

Bloc de béton armé / Concrete deadman anchor

- Poids : 1,093 Lbs / Weight : 1,093 Lbs
- Renforcé d'acier galvanisé / Reinforced with galvanized steel

Courroie de fibre de verre / Fiberglass strap

- Fait de fibre de verre de haute qualité / High quality fiberglass
- Charge utile à 20,000 Lbs / Working load 20,000 Lbs
- Résistance maximale : 45,000 Lbs / Ultimate rated 45,000 Lbs
- Muni d'anneaux en acier galvanisé / Equipped with galvanized steel rings

Ce dessin est la propriété exclusive de Granby Composites Inc. Aucune partie de ce dessin ne peut être utilisée ou reproduite sans sa permission écrite. This drawing is the exclusive property of Granby Composites Inc. No part of this drawing may be used or reproduced in any manner without its written permission.		2019
TOLERANCES (LINÉAIRES / LINEAR) PIED / FEET DIM. → ± 1% 0.00 → ± 0.25" 0.0 → ± 0.5" 0.000 → ± 0.125"		GRANBY COMPOSITES Dessiné par / Drawn by O. Marin 04/10/2018 Approuvé par / Approved by :
TOLERANCES (ANGULAIRES / ANGULAR) 0 → ± 2 DEG. 0.0 → ± 0.5 DEG. 0.00 → ± 0.1 DEG.		
Poids / Weight :		Description de la révision / Revision description Format No de la pièce / Part no. REV B ENSCOUR10 A. Description / Title JEUX DE COURROIES ET BLOCS DE BÉTON - ANCHORING KIT
Client	# Projet	
		Feuille Sheet 4 / 4



CHARTRE DE CAPACITÉ POUR RÉSERVOIR NN10210791
CAPACITY CHART FOR NN10210791 TANK

décembre 22, 2022

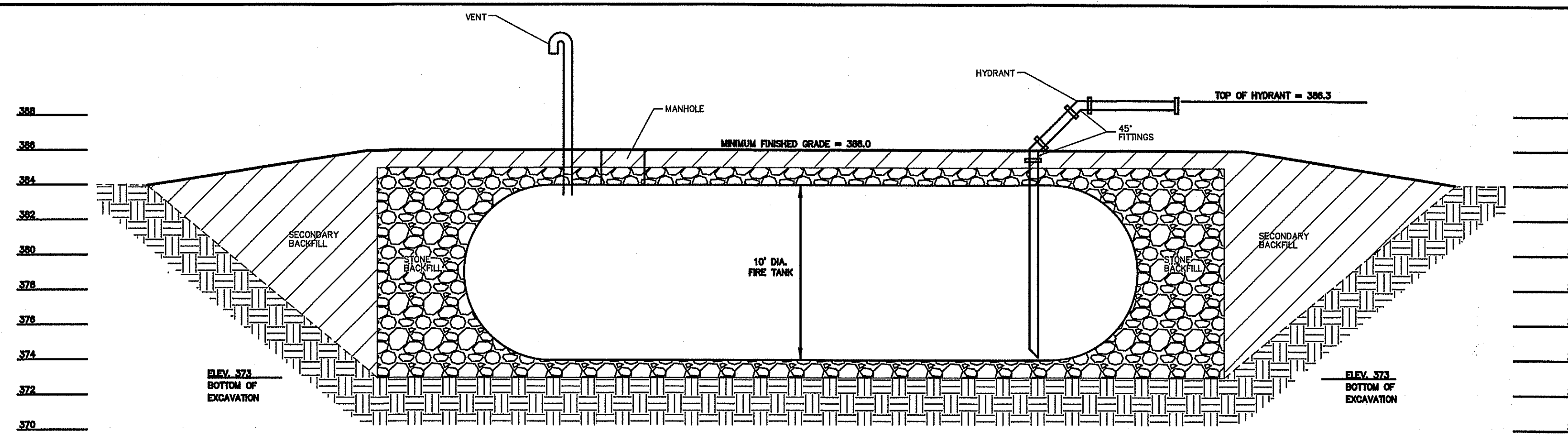
Hauteur (CM)	Volume (Litres)	Hauteur (CM)	Volume (Litres)	Hauteur (CM)	Volume (Litres)	Hauteur (CM)	Volume (Litres)	Hauteur (CM)	Volume (Litres)	Hauteur (CM)	Volume (Litres)	Hauteur (CM)	Volume (Litres)	Hauteur (CM)	Volume (Litres)	Hauteur (CM)	Volume (Litres)	Hauteur (CM)	Volume (Litres)	Hauteur (CM)	Volume (Litres)
0.5	8	30.5	3762	60.5	10566	90.5	19118	120.5	28735	150.5	38875	180.5	49045	210.5	58756	240.5	67477	270.5	74551	300.5	78855
1	21	31	3856	61	10696	91	19271	121	28901	151	39045	181	49212	211	58911	241	67610	271	74650	301	78887
1.5	39	31.5	3950	61.5	10827	91.5	19425	121.5	29067	151.5	39216	181.5	49379	211.5	59066	241.5	67743	271.5	74748	301.5	78918
2	60	32	4046	62	10959	92	19578	122	29233	152	39386	182	49546	212	59221	242	67876	272	74845	302	78946
2.5	84	32.5	4142	62.5	11090	92.5	19733	122.5	29400	152.5	39557	182.5	49712	212.5	59375	242.5	68008	272.5	74942	302.5	78971
3	111	33	4239	63	11223	93	19887	123	29567	153	39728	183	49879	213	59529	243	68140	273	75038	303	78994
3.5	140	33.5	4337	63.5	11355	93.5	20041	123.5	29733	153.5	39898	183.5	50045	213.5	59682	243.5	68271	273.5	75133	303.5	79014
4	171	34	4436	64	11489	94	20196	124	29900	154	40069	184	50211	214	59836	244	68402	274	75228	304	79030
4.5	205	34.5	4535	64.5	11622	94.5	20351	124.5	30067	154.5	40239	184.5	50377	214.5	59989	244.5	68532	274.5	75322	304.5	79042
5	240	35	4635	65	11757	95	20507	125	30235	155	40410	185	50543	215	60142	245	68662	275	75414	305	79045
5.5	278	35.5	4736	65.5	11891	95.5	20663	125.5	30402	155.5	40581	185.5	50709	215.5	60294	245.5	68791	275.5	75507		
6	317	36	4837	66	12026	96	20819	126	30569	156	40751	186	50875	216	60446	246	68920	276	75598		
6.5	358	36.5	4939	66.5	12162	96.5	20975	126.5	30737	156.5	40922	186.5	51040	216.5	60598	246.5	69048	276.5	75689		
7	400	37	5042	67	12298	97	21131	127	30905	157	41092	187	51205	217	60750	247	69176	277	75778		
7.5	445	37.5	5146	67.5	12434	97.5	21288	127.5	31072	157.5	41263	187.5	51371	217.5	60901	247.5	69303	277.5	75867		
8	491	38	5250	68	12571	98	21445	128	31240	158	41433	188	51536	218	61052	248	69430	278	75955		
8.5	538	38.5	5355	68.5	12708	98.5	21602	128.5	31408	158.5	41604	188.5	51700	218.5	61203	248.5	69557	278.5	76043		
9	587	39	5460	69	12845	99	21760	129	31576	159	41774	189	51865	219	61353	249	69682	279	76129		
9.5	637	39.5	5566	69.5	12983	99.5	21918	129.5	31745	159.5	41944	189.5	52030	219.5	61503	249.5	69808	279.5	76214		
10	689	40	5673	70	13122	100	22076	130	31913	160	42115	190	52194	220	61653	250	69933	280	76299		
10.5	742	40.5	5781	70.5	13261	100.5	22234	130.5	32081	160.5	42285	190.5	52358	220.5	61802	250.5	70057	280.5	76383		
11	796	41	5889	71	13400	101	22392	131	32250	161	42455	191	52522	221	61951	251	70181	281	76466		
11.5	852	41.5	5998	71.5	13540	101.5	22551	131.5	32418	161.5	42626	191.5	52686	221.5	62100	251.5	70304	281.5	76548		
12	909	42	6107	72	13680	102	22710	132	32587	162	42796	192	52850	222	62248	252	70426	282	76629		
12.5	967	42.5	6218	72.5	13820	102.5	22869	132.5	32756	162.5	42966	192.5	53013	222.5	62396	252.5	70549	282.5	76709		
13	1027	43	6328	73	13961	103	23029	133	32925	163	43136	193	53176	223	62544	253	70670	283	76789		
13.5	1088	43.5	6440	73.5	14102	103.5	23188	133.5	33094	163.5	43306	193.5	53339	223.5	62691	253.5	70791	283.5	76867		
14	1150	44	6552	74	14244	104	23348	134	33263	164	43476	194	53502	224	62838	254	70912	284	76944		
14.5	1213	44.5	6664	74.5	14386	104.5	23508	134.5	33432	164.5	43646	194.5	53665	224.5	62985	254.5	71032	284.5	77021		
15	1277	45	6777	75	14528	105	23668	135	33601	165	43816	195	53827	225	63131	255	71151	285	77096		
15.5	1343	45.5	6891	75.5	14671	105.5	23829	135.5	33771	165.5	43986	195.5	53990	225.5	63277	255.5	71270	285.5	77171		
16	1409	46	7006	76	14814	106	23990	136	33940	166	44156	196	54152	226	63423	256	71388	286	77244		
16.5	1477	46.5	7121	76.5	14958	106.5	24151	136.5	34109	166.5	44326	196.5	54314	226.5	63568	256.5	71506	286.5	77317		
17	1545	47	7236	77	15102	107	24312	137	34279	167	44495	197	54475	227	63713	257	71623	287	77388		
17.5	1615	47.5	7353	77.5	15246	107.5	24473	137.5	34448	167.5	44665	197.5	54637	227.5	63857	257.5	71740	287.5	77459		
18	1686	48	7469	78	15391	108	24635	138	34618	168	44835	198	54798	228	64001	258	71856	288	77528		
18.5	1758	48.5	7587	78.5	15536	108.5	24797	138.5	34788	168.5	45004	198.5	54959	228.5	64145	258.5	71971	288.5	77596		
19	1831	49	7705	79	15681	109	24959	139	34958	169	45174	199	55120	229	64289	259	72086	289	77663		
19.5	1905	49.5	7823	79.5	15827	109.5	25121	139.5	35127	169.5	45343	199.5	55281	229.5	64432	259.5	72200	289.5	77729		
20	1980	50	7942	80	15973	110	25283	140	35297	170	45512	200	55441	230	64574	260	72314	290	77794		
20.5	2055	50.5	8062	80.5	16120	110.5	25446	140.5	35467	170.5	45681	200.5	55602	230.5	64717	260.5	72427	290.5	77858		
21	2132	51	8182	81	16266	111	25609	141	35637	171	45850	201	55762	231	64858	261	72539	291	77921		
21.5	2210	51.5	8303	81.5	16414	111.5	25772	141.5	35807	171.5	46019	201.5	55921	231.5	65000	261.5	72651	291.5	77982		
22	2289	52	8424	82	16561	112	25935	142	35977	172	46188	202	56081	232	65141	262	72762	292	78043		
22.5	2368	52.5	8546	82.5	16709	112.5	26098	142.5	36148	172.5	46357	202.5	56240	232.5	65282	262.5	72872	292.5	78102		
23	2449	53	8668	83	16857	113	26262	143	36318	173	46526	203	56399	233	65422	263	72982	293	78160		
23.5	2530	53.5	8791	83.5	17006	113.5	26425	143.5	36488	173.5	46695	203.5	56558	233.5	65562	263.5	73091	293.5	78216		
24	2613	54	8915	84	17154	114	26589	144	36658	174	46863	204	56717	234	65701	264	73200	294	78271		
24.5	2696	54.5	9039	84.5	17304	114.5	26753	144.5	36829	174.5	47032	204.5	56875	234.5	65841	264.5	73308	294.5	78325		
25	2780	55	9163	85	17453	115	26918	145	36999	175	47200	205	57033	235	65979	265	73415	295	78378		
25.5	2865	55.5	9288	85.5	17603	115.5	27082	145.5	37169	175.5	47368	205.5	57191	235.5	66118	265.5	73522	295.5	78429		
26	2951	56	9414	86	17753	116	27246	146	37340	176	47537	206	57349	236	66255	266	73628	296	78479		
26.5	3038	56.5	9540	86.5	17903	116.5	27411	146.5	37510	176.5	47705	206.5	57506	236.5	66393	266.5	73733	296.5	78527		
27	3126	57	9666	87	18054	117	27576	147	37681	177	47873	207	57664	237	66530	267	73838	297	78574		
27.5	3214	57.5	9793	87.5	18205	117.5	27741	147.5	37851	177.5	48040	207.5	57820	237.5	66666	267.5	73942	297.5	78619		
28	3303	58	9921	88	18357	118	27906	148	38022	178	48208	208	57977	238	66803	268	74045	298	78663		
28.5	3393	58.5	10049	88.5	18508	118.5	28072	148.5	38192	178.5	48376	208.5	58133	238.5	66938	268.5	74147	298.5	78705		
29	3484	59	10177	89	18660	119	28237	149	38363	179	48543	209	58290	239	67074	269	74249	299	78745		
29.5	3576	59.5	10306	89.5	18813	119.5	28403	149.5	38533	179.5	48711	209.5	58445	239.5	67208	269.5	74350	299.5	78783		
30	3668	60	10436	90	18965	120	28569	150	38704	180	48878	210	58601	240	67343	270	74451	300	78820		



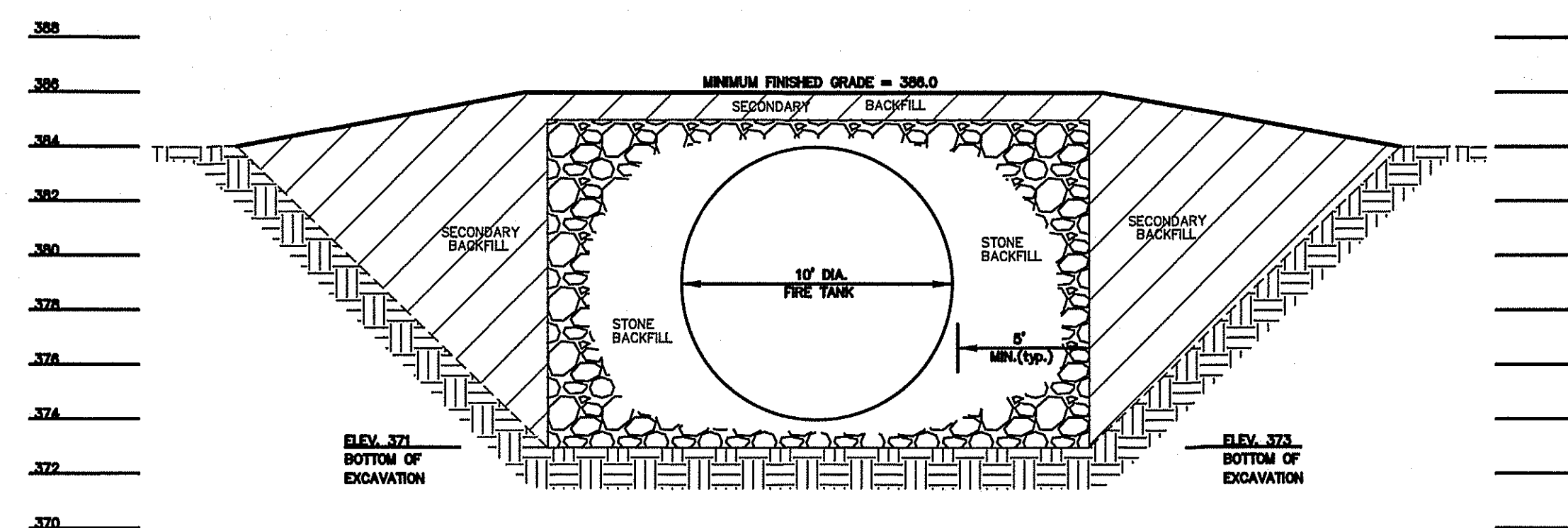
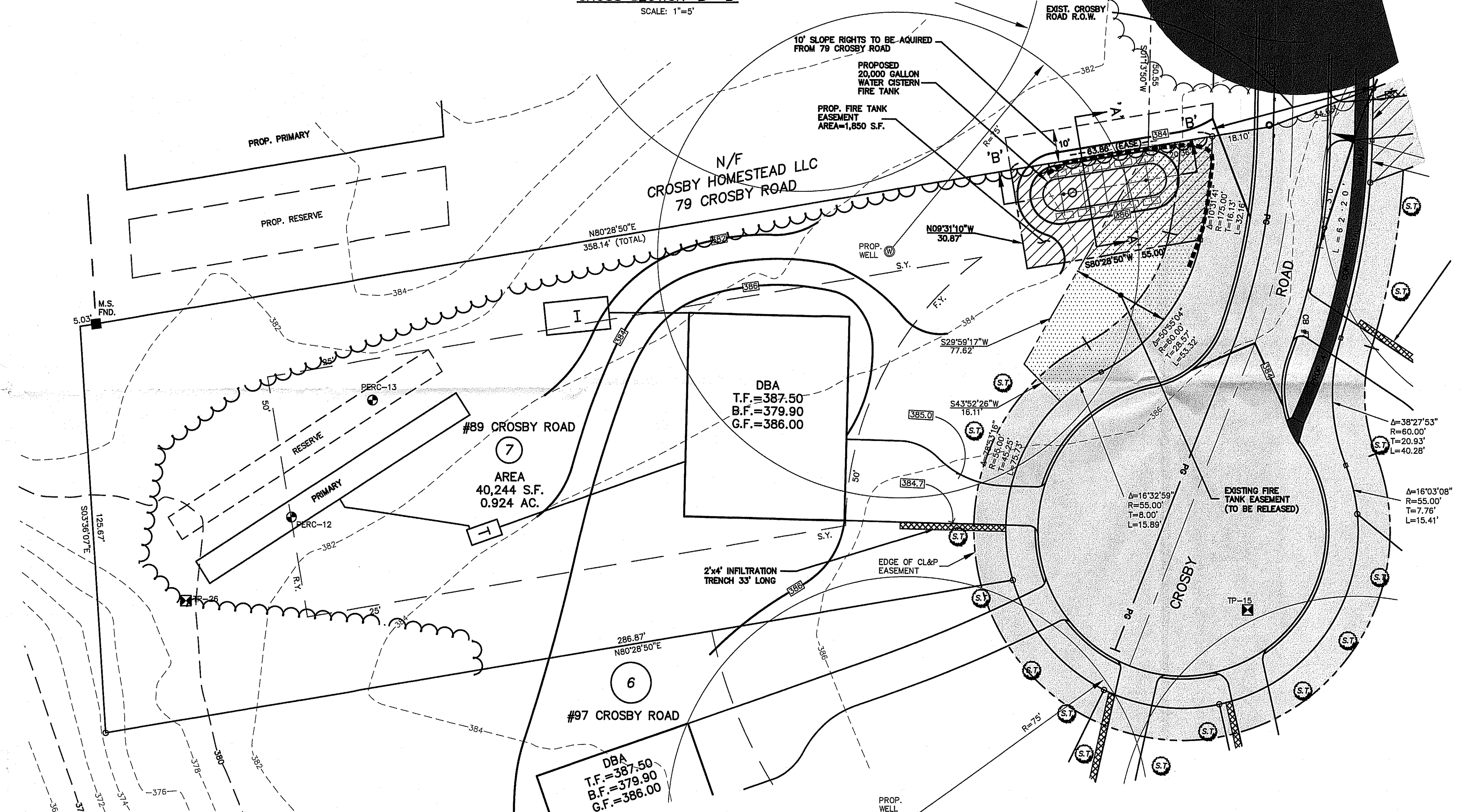
LOCATION MAP
SCALE: 1"=1,000'

LEGEND

- PROP. FTG/FDN DRAIN — PD —
- EXISTING MONUMENT — ■ —
- PROPOSED MONUMENT — □ —
- EXISTING IRON PIN — ○ —
- PROPOSED IRON PIN — ○ —
- EXISTING WETLANDS — [Wavy Line] —
- EXISTING CONTOUR — [Dashed Line] —
- PROPOSED CONTOUR — [Dashed Line] —
- EXISTING TREE LINE — [Wavy Line] —
- PROP. LIMIT OF CLEARING — [Dashed Line] —
- SOILS BOUNDARIES — [Dotted Line] —
- PROPOSED SEPTIC TANK — [Rectangular Box] —
- PROPOSED INFILTRATOR FOR ROOF DRAINS — [Rectangular Box] —
- PROPOSED STREET TREE — [Tree Symbol] —
- STAKED HAY BALES/SILT FENCE — [Dashed Line] —
- PROP. GAS LINE — [Line with 'G'] —
- PROP. FIRE TANK EASEMENT — [Hatched Area] —
- EXIST. FIRE TANK EASEMENT (TO BE RELEASED) — [Dotted Area] —



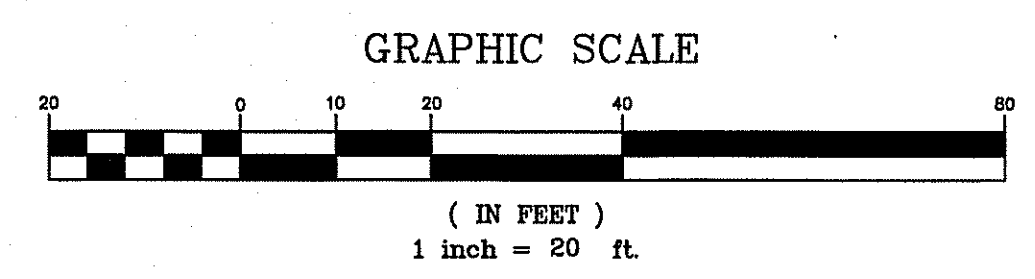
20,882 GALLON FIRE TANK
CROSS SECTION 'B-B'
SCALE: 1"=5'



20,882 GALLON FIRE TANK
CROSS SECTION 'A-A'
SCALE: 1"=5'

RURAL RESIDENCE ZONE

BUILDER/OWNER:
REJEAN JACQUES
1048 HOPEWELL ROAD
SOUTH GLASTONBURY, CT 06489
860-952-4741



REFERENCE MADE TO MAP TITLED:
"CROSBY II SUBDIVISION 539 & 551 MANCHESTER ROAD PREPARED FOR REJEAN JACQUES GLASTONBURY, CONN. DATE: 2-28-23 REV. 6-28-23 CONDITIONS OF APPROVAL, REV. 5-5-23 TOWN STAFF COMMENTS SCALE: NONE SHEETS 1-11. MAP NO. 30-21-1C.

THIS MAP IS NOT VALID IF MODIFIED IN ANY WAY AND/OR DOES NOT BEAR THE EMBOSSED SEAL OF THE UNDERSIGNED.
NO ZONING VIOLATIONS

TO MY KNOWLEDGE AND BELIEF, THIS MAP IS SUBSTANTIALLY CORRECT AS NOTED HEREON. THIS SURVEY WAS PREPARED PURSUANT TO THE REGULATIONS OF CONNECTICUT STATE AGENCIES SECTION 20-300b-1 THROUGH 20-300b-20 AND THE "STANDARDS AND SUGGESTED METHODS AND PROCEDURES FOR SURVEYS AND MAPS IN THE STATE OF CONNECTICUT" REVISED OCTOBER 26, 2018 AND AS ADOPTED BY THE CONNECTICUT ASSOCIATION OF LAND SURVEYORS, INC. ON AUGUST 29, 2019.

TYPE OF SURVEY: ZONING LOCATION SURVEY
BOUNDARY DETERMINATION CATEGORY: RESURVEY
CLASS OF ACCURACY: A-2

Sands E. Aeschliman
SANDS E. AESCHLIMAN L.S. # 14201

P:\2021\PROJ\03021\dwg\base\03021-fire-tank_9-24-24.dwg 9/24/2024 1:38:49 PM EDT

REV. 9-24-24 TANK LOCATION & EASEMENT

PROPOSED 20,000 GALLON FIRE TANK
CROSBY II SUBDIVISION
PREPARED FOR
REJEAN JACQUES
GLASTONBURY, CONN

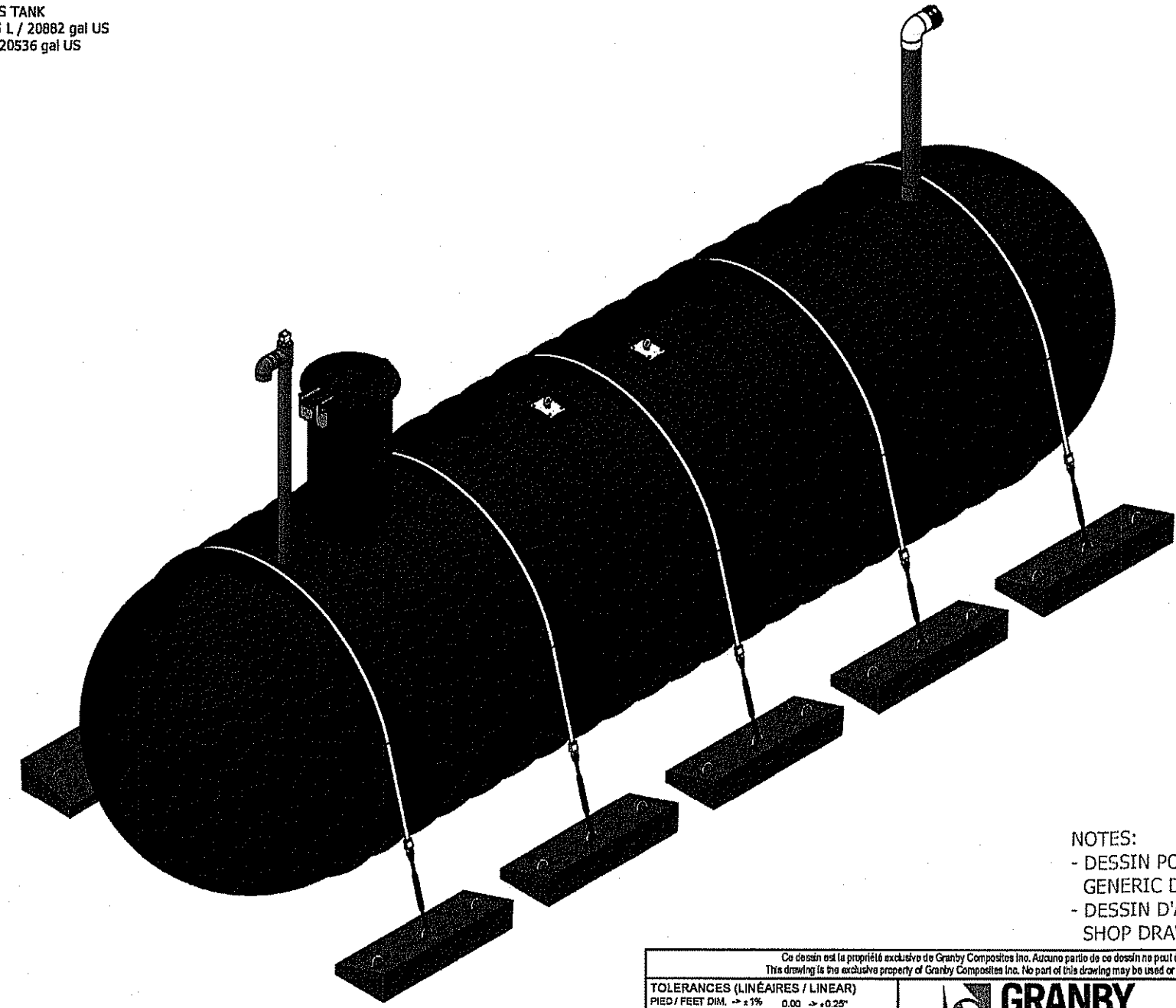
MEGSON, HEAGLE & FRIEND
CIVIL ENGINEERS & LAND SURVEYORS, LLC
81 RANKIN ROAD
GLASTONBURY, CONN. 06033
PHONE (860)-659-0687

I HEREBY DECLARE TO THE BEST OF MY KNOWLEDGE AND BELIEF THAT THIS PLAN IS SUBSTANTIALLY CORRECT.
Jonathan K. Zurek
JONATHAN K. ZUREK
P.E. # 28858

CK. BY: JHS
DRW. BY: PEJ
DATE: 5-21-24
SCALE: 1"=20'
SHEET 1 OF 2
MAP NO. 30-21-1FT

NN10210791FP

RÉSERVOIR DE FIBRE DE VERRE / FIBERGLASS TANK
CAPACITÉ TOTALE / TOTAL CAPACITY : 79045 L / 20882 gal US
CAPACITÉ UTILE / NET CAPACITY : 77257 L / 20336 gal US

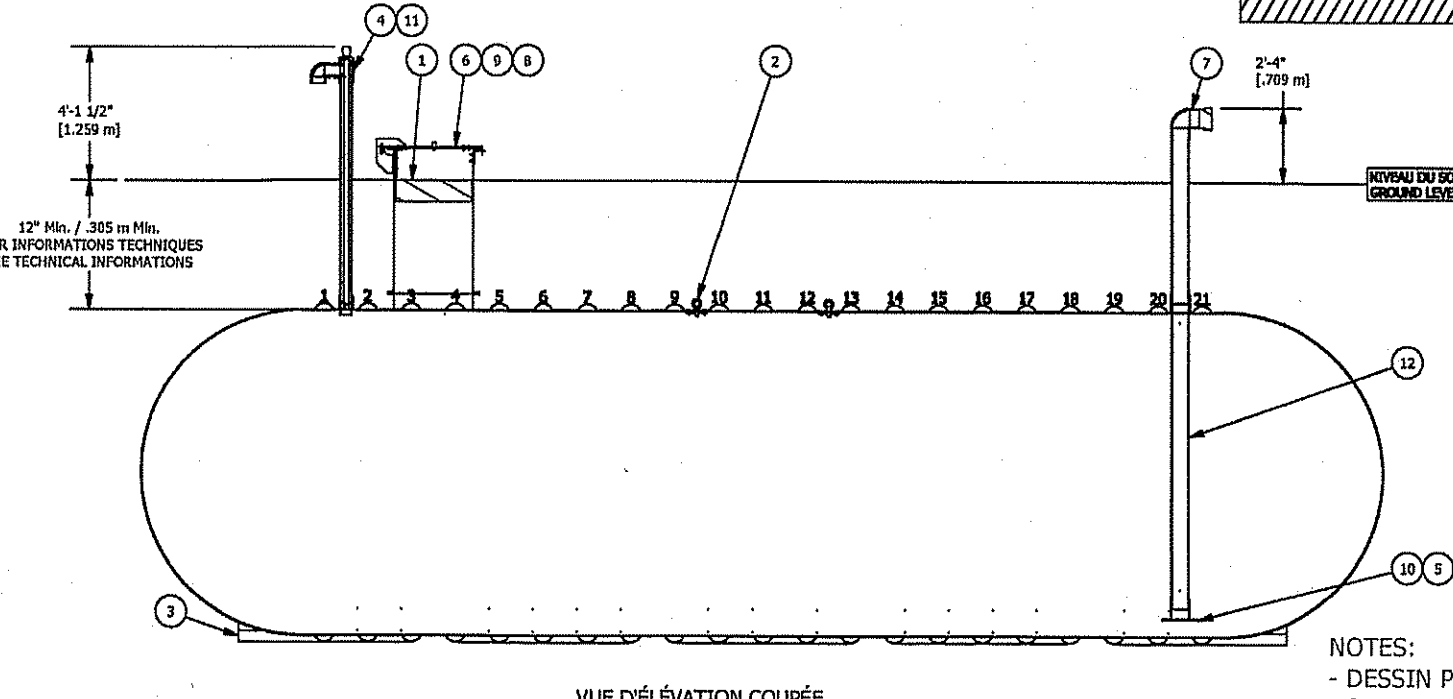
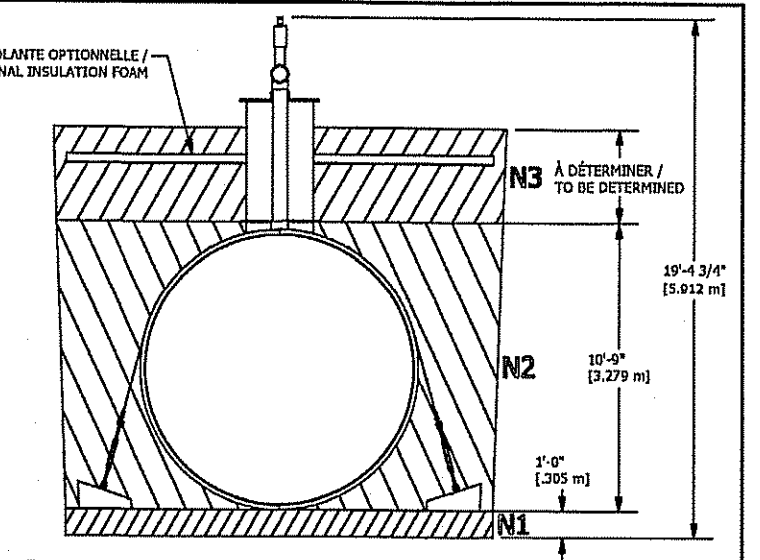


NOTES:
- DESSIN POUR RÉFÉRENCE SEULEMENT /
- GENERIC DRAWING FOR REFERENCE ONLY
- DESSIN D'ATELIER DISPONIBLE SUR DEMANDE /
- SHOP DRAWING AVAILABLE ON REQUEST

Ce dessin est la propriété exclusive de Granby Composites Inc. Aucune partie de ce dessin ne peut être utilisée ou reproduite sans la permission écrite de Granby Composites Inc. / This drawing is the exclusive property of Granby Composites Inc. No part of this drawing may be used or reproduced without the written permission.		Description de la dernière / Revision description:	
TOLERANCES LINÉAIRES / LINEAR TOLERANCES	PROFONDÉUR D'ENFOSSEMENT / BURIED OBJECT	DATE / DATE	DESIGNÉ PAR / DESIGNED BY
±0.25 mm / ±0.010 in	±1.27 mm / ±0.050 in	13/02/2023	B / NN10210791FP
TOLERANCES ANGULAIRE / ANGULAR TOLERANCES	PROFONDÉUR D'ENFOSSEMENT / BURIED OBJECT	DATE / DATE	DESIGNÉ PAR / DESIGNED BY
±0.5° / ±0.020 in	±1.27 mm / ±0.050 in	13/02/2023	B / NN10210791FP
POIDS / WEIGHT	PROFONDÉUR D'ENFOSSEMENT / BURIED OBJECT	DATE / DATE	DESIGNÉ PAR / DESIGNED BY
25787 Lb / 2666 Kg	±1.27 mm / ±0.050 in	13/02/2023	B / NN10210791FP
Classe / Class	PROFONDÉUR D'ENFOSSEMENT / BURIED OBJECT	DATE / DATE	DESIGNÉ PAR / DESIGNED BY
1	±1.27 mm / ±0.050 in	13/02/2023	B / NN10210791FP

Rang / Rank	Numéro de pièce / Part Number	QNT / Qty	Description	Check List
1	ADP000001	1	FOAM 28-3/4" DIA. x 8" R-35	
2	ADP000001	2	PLAQUES DE LEVAGE (Granby #MS100) - LIFTING LUGS	
3	ENSCOUR10	5	JEUX DE COURROIES ET BLOCS DE BÉTON - ANCHORING KIT	
4	EVBJ010	1	ENSEMBLE ÉVENT AVEC JAUGE ET GRILLE ANTI-VAPEUR SST - 4" SCH. 80 - VENT KIT WITH GAUGE AND SST GRID SCREEN	
5	FPUR000001	1	LINCOLN GRIS - 6" x 6" x 6" - COUPLING GRAY	
6	GMH30-COVER01	1	COUVERCLE DE TROU HOMME CADENASSABLE AVEC PENTURE - 30" DIA. FRP. - LOCKABLE MAN HOLE COVER WITH HINGE	
7	KB-8H000000	1	ENSEMBLE SOURCE FONTAINE - 67MM 80" - FIRE HYDRANT KIT	
8	MH-30 (6"L)	1	TROU D'HOMME - 30" DIA. x 6" L - MANHOLE	
9	MHE-30 (64"L)	1	EXTENSION DE TROU D'HOMME - 30" DIA. x 64" L - MANHOLE EXTENSION	
10	PPV01313	1	PLAQUE ANTI-VORTEX 0.5" x 13.25" x 13.25" - ANTI-VORTEX PLATE	
11	TPR000001 (425"L)	1	TUYAU PVC GRIS - 4" SCH.80 - PVC PIPE GREY	
12	TPR000001 (113.203"L)	1	TUYAU PVC GRIS - 6" SCH.80 - PVC PIPE GREY	

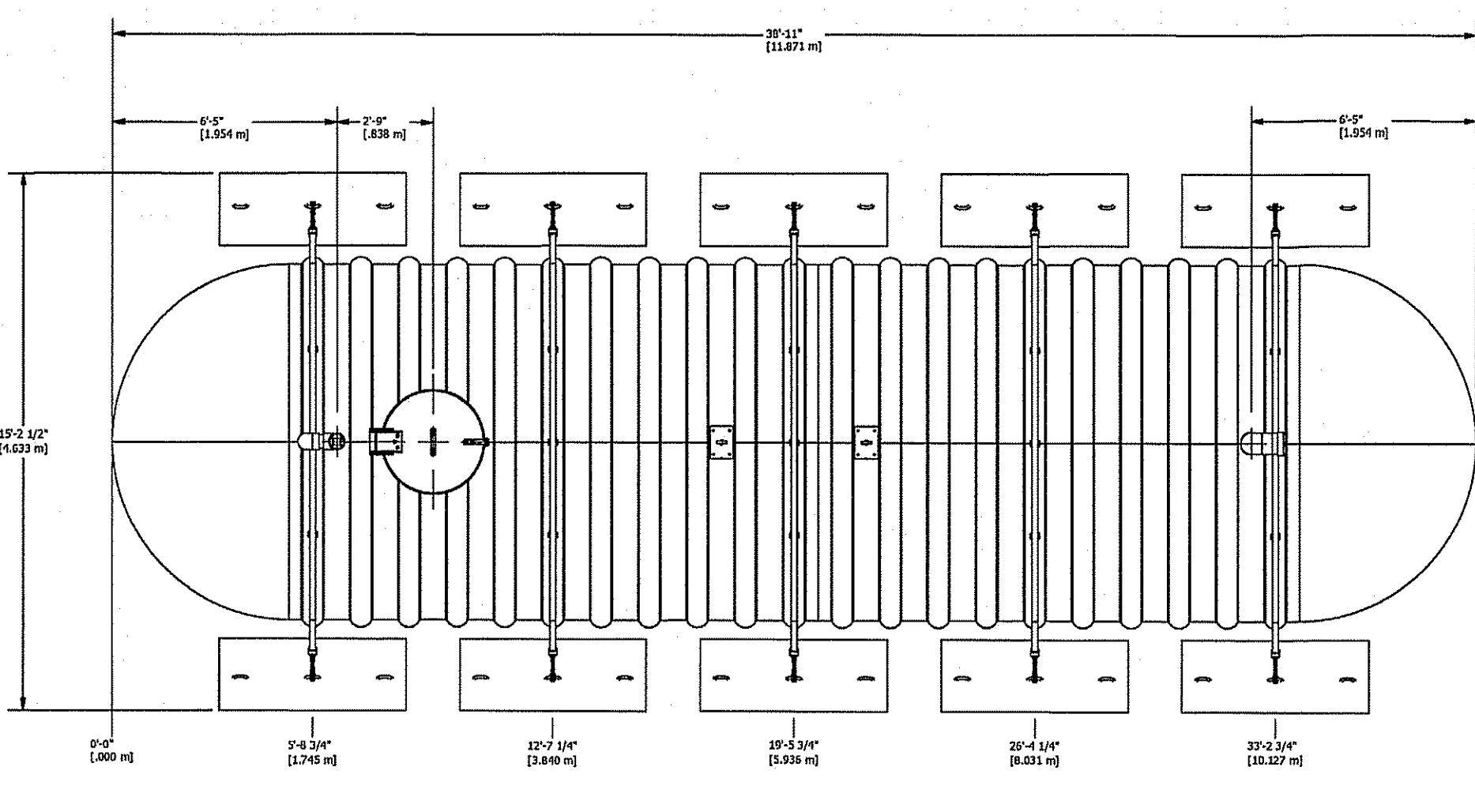
PROPRIÉTÉS DU REMBLAI / BACKFILL PROPERTIES
N1 - GRAVILLON 1/8" à 3/4" OU PÈSE NETTE 1/2"
1/8" TO 3/4" FEA GRAVEL OR 1/2" CRUSHED STONE
N2 - REMBLAI PRIMAIRE GRAVILLON 1/8" à 3/4" OU PÈSE NETTE 1/2"
PRIMARY BACKFILL, 1/8" TO 3/4" FEA GRAVEL OR 1/2" CRUSHED STONE
N3 - REMBLAI SECONDAIRE, SABLE GROSSEUR OU GRAVIER à 1/2" OU MOINS
SECONDARY BACKFILL, COARSE SAND OR GRAVEL, 1/2" OR LESS



NOTES:
- DESSIN POUR RÉFÉRENCE SEULEMENT /
- GENERIC DRAWING FOR REFERENCE ONLY
- DESSIN D'ATELIER DISPONIBLE SUR DEMANDE /
- SHOP DRAWING AVAILABLE ON REQUEST

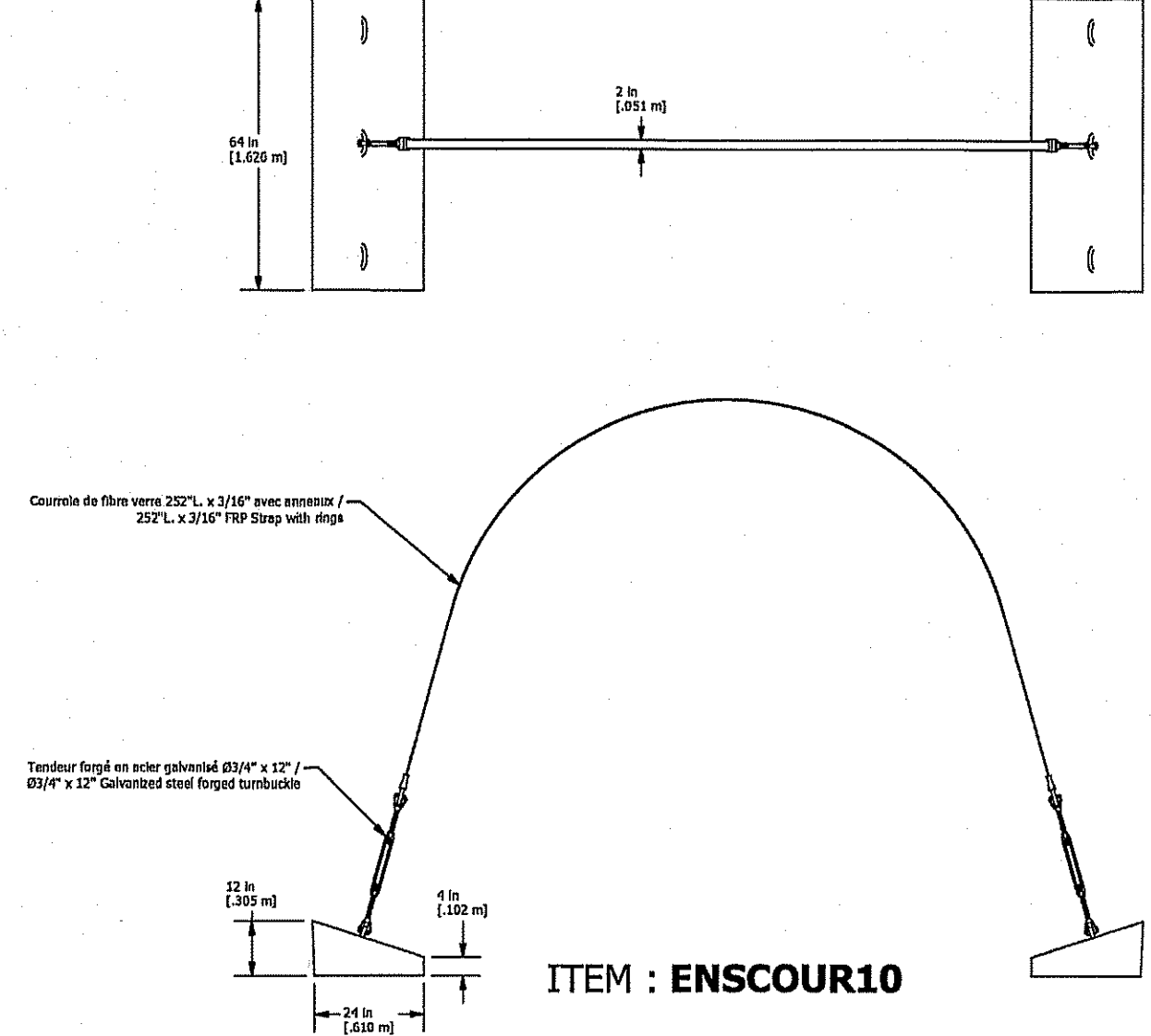
Arrangé optionnel selon les conditions du terrain / Optional anchoring depending on the tank's environment.
Informations techniques / Technical Information
• Profondeur d'enfossissement / Buried depth: Selon les conditions géotechniques d'installation / According to the geotechnical installation conditions
• Diamètre inférieur / Inside Diameter : 120" / 3.048 m
• (Si requis) Quantité de courroies de fibre de verre avec attaches en acier galvanisé / (If required) Quantity of fiberglass anchoring straps : 5
• (Si requis) Quantité de blocs de béton armé / (If required) Quantity of reinforced concrete deadman anchors : 10
• Le poids sur le dessin n'inclut pas les jeux de courroies et blocs de béton. / The weight on the drawing does not include kits of belts and concrete blocks.
• Le poids sur le dessin n'inclut pas les jeux de courroies et blocs de béton. / The weight on the drawing does not include kits of belts and concrete blocks.
• Évaluation H5-20 à une profondeur d'enfossissement de 36 à 84 pouces, 9144 mm à 2.134 m / H5-20 rated for burial depth from 36 to 84 inches, 9144 mm to 2.134 m
• Fabrication selon les exigences ANSI-AWWA D100 / Manufacture according to ANSI-AWWA D100 requirements
• Épreuve d'éclatement en sursur pression d'air à 25 kPa (5psi) / Air pressure test performed at the factory at 25 kPa (5psi)
Le réservoir doit être installé selon les instructions du fabricant. / The tank must be installed in accordance with the manufacturer's instructions.

Ce dessin est la propriété exclusive de Granby Composites Inc. Aucune partie de ce dessin ne peut être utilisée ou reproduite sans la permission écrite de Granby Composites Inc. / This drawing is the exclusive property of Granby Composites Inc. No part of this drawing may be used or reproduced without the written permission.		Description de la dernière / Revision description:	
TOLERANCES LINÉAIRES / LINEAR TOLERANCES	PROFONDÉUR D'ENFOSSEMENT / BURIED OBJECT	DATE / DATE	DESIGNÉ PAR / DESIGNED BY
±0.25 mm / ±0.010 in	±1.27 mm / ±0.050 in	13/02/2023	B / NN10210791FP
TOLERANCES ANGULAIRE / ANGULAR TOLERANCES	PROFONDÉUR D'ENFOSSEMENT / BURIED OBJECT	DATE / DATE	DESIGNÉ PAR / DESIGNED BY
±0.5° / ±0.020 in	±1.27 mm / ±0.050 in	13/02/2023	B / NN10210791FP
POIDS / WEIGHT	PROFONDÉUR D'ENFOSSEMENT / BURIED OBJECT	DATE / DATE	DESIGNÉ PAR / DESIGNED BY
25787 Lb / 2666 Kg	±1.27 mm / ±0.050 in	13/02/2023	B / NN10210791FP
Classe / Class	PROFONDÉUR D'ENFOSSEMENT / BURIED OBJECT	DATE / DATE	DESIGNÉ PAR / DESIGNED BY
2	±1.27 mm / ±0.050 in	13/02/2023	B / NN10210791FP



NOTES:
- DESSIN POUR RÉFÉRENCE SEULEMENT /
- GENERIC DRAWING FOR REFERENCE ONLY
- DESSIN D'ATELIER DISPONIBLE SUR DEMANDE /
- SHOP DRAWING AVAILABLE ON REQUEST

Ce dessin est la propriété exclusive de Granby Composites Inc. Aucune partie de ce dessin ne peut être utilisée ou reproduite sans la permission écrite de Granby Composites Inc. / This drawing is the exclusive property of Granby Composites Inc. No part of this drawing may be used or reproduced without the written permission.		Description de la dernière / Revision description:	
TOLERANCES LINÉAIRES / LINEAR TOLERANCES	PROFONDÉUR D'ENFOSSEMENT / BURIED OBJECT	DATE / DATE	DESIGNÉ PAR / DESIGNED BY
±0.25 mm / ±0.010 in	±1.27 mm / ±0.050 in	13/02/2023	B / NN10210791FP
TOLERANCES ANGULAIRE / ANGULAR TOLERANCES	PROFONDÉUR D'ENFOSSEMENT / BURIED OBJECT	DATE / DATE	DESIGNÉ PAR / DESIGNED BY
±0.5° / ±0.020 in	±1.27 mm / ±0.050 in	13/02/2023	B / NN10210791FP
POIDS / WEIGHT	PROFONDÉUR D'ENFOSSEMENT / BURIED OBJECT	DATE / DATE	DESIGNÉ PAR / DESIGNED BY
25787 Lb / 2666 Kg	±1.27 mm / ±0.050 in	13/02/2023	B / NN10210791FP
Classe / Class	PROFONDÉUR D'ENFOSSEMENT / BURIED OBJECT	DATE / DATE	DESIGNÉ PAR / DESIGNED BY
3	±1.27 mm / ±0.050 in	13/02/2023	B / NN10210791FP



ITEM : ENSCOUR10

Zone de travail / Work zone
• Plage d'acier au carbone, galvanisé à chaud / Forged carbon steel, hot-dip galvanized
• Conformément aux spécifications ASTM A106, Type A, Série 1 (Coke oven) / In accordance with ASTM specifications A106-106 Type A, Form 1 (Coke oven)
• Charge utile à 5.200 lbf / Working load 5.200 lbf
• Blocs de béton armé / Reinforced concrete deadman anchors
• Poids : 1.200 lbf / Weight : 1.200 lbf
• Renforcé d'acier galvanisé / Reinforced with galvanized steel
Courroie de fibre de verre / Fiberglass strap
• Fabriqué en verre de fibre renforcé / High quality fiberglass
• Charge utile à 20.000 lbf / Working load 20.000 lbf
• Résistance nominale : 65.000 lbf / Nominal strength 65.000 lbf
• Mail d'armature en acier galvanisé / Equipped with galvanized steel rings

Ce dessin est la propriété exclusive de Granby Composites Inc. Aucune partie de ce dessin ne peut être utilisée ou reproduite sans la permission écrite de Granby Composites Inc. / This drawing is the exclusive property of Granby Composites Inc. No part of this drawing may be used or reproduced without the written permission.		Description de la dernière / Revision description:	
TOLERANCES LINÉAIRES / LINEAR TOLERANCES	PROFONDÉUR D'ENFOSSEMENT / BURIED OBJECT	DATE / DATE	DESIGNÉ PAR / DESIGNED BY
±0.25 mm / ±0.010 in	±1.27 mm / ±0.050 in	04/10/2018	A /
TOLERANCES ANGULAIRE / ANGULAR TOLERANCES	PROFONDÉUR D'ENFOSSEMENT / BURIED OBJECT	DATE / DATE	DESIGNÉ PAR / DESIGNED BY
±0.5° / ±0.020 in	±1.27 mm / ±0.050 in	04/10/2018	A /
POIDS / WEIGHT	PROFONDÉUR D'ENFOSSEMENT / BURIED OBJECT	DATE / DATE	DESIGNÉ PAR / DESIGNED BY
25787 Lb / 2666 Kg	±1.27 mm / ±0.050 in	04/10/2018	A /
Classe / Class	PROFONDÉUR D'ENFOSSEMENT / BURIED OBJECT	DATE / DATE	DESIGNÉ PAR / DESIGNED BY
4	±1.27 mm / ±0.050 in	04/10/2018	A /