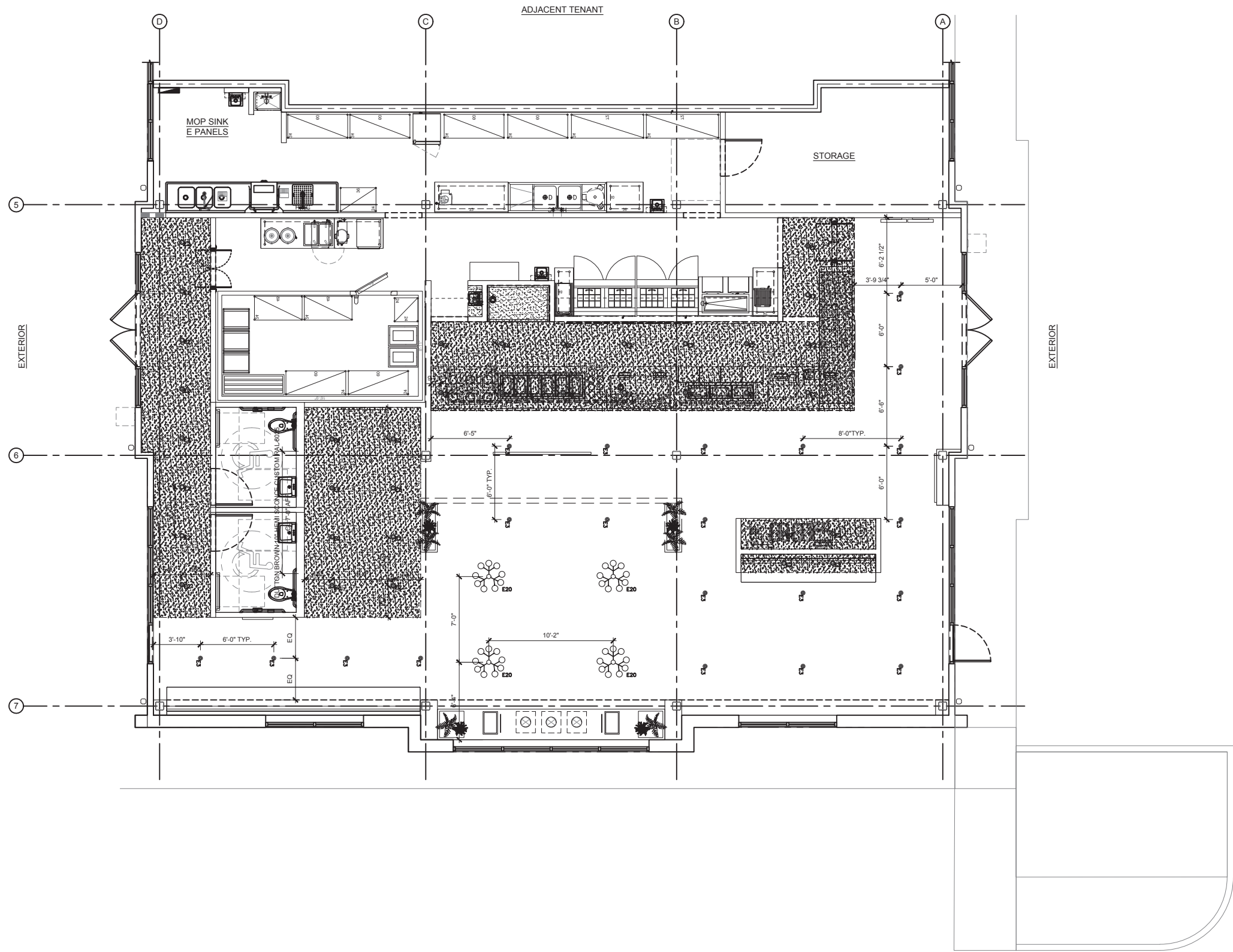


INTERIOR SEATING	44
EXTERIOR SEATING	12
TOTAL: 56	

CHOPT
 CREATIVE SALAD CO.
 GLASTONBURY CT

PROJECT INFORMATION
 DATE: JUNE 17, 2021

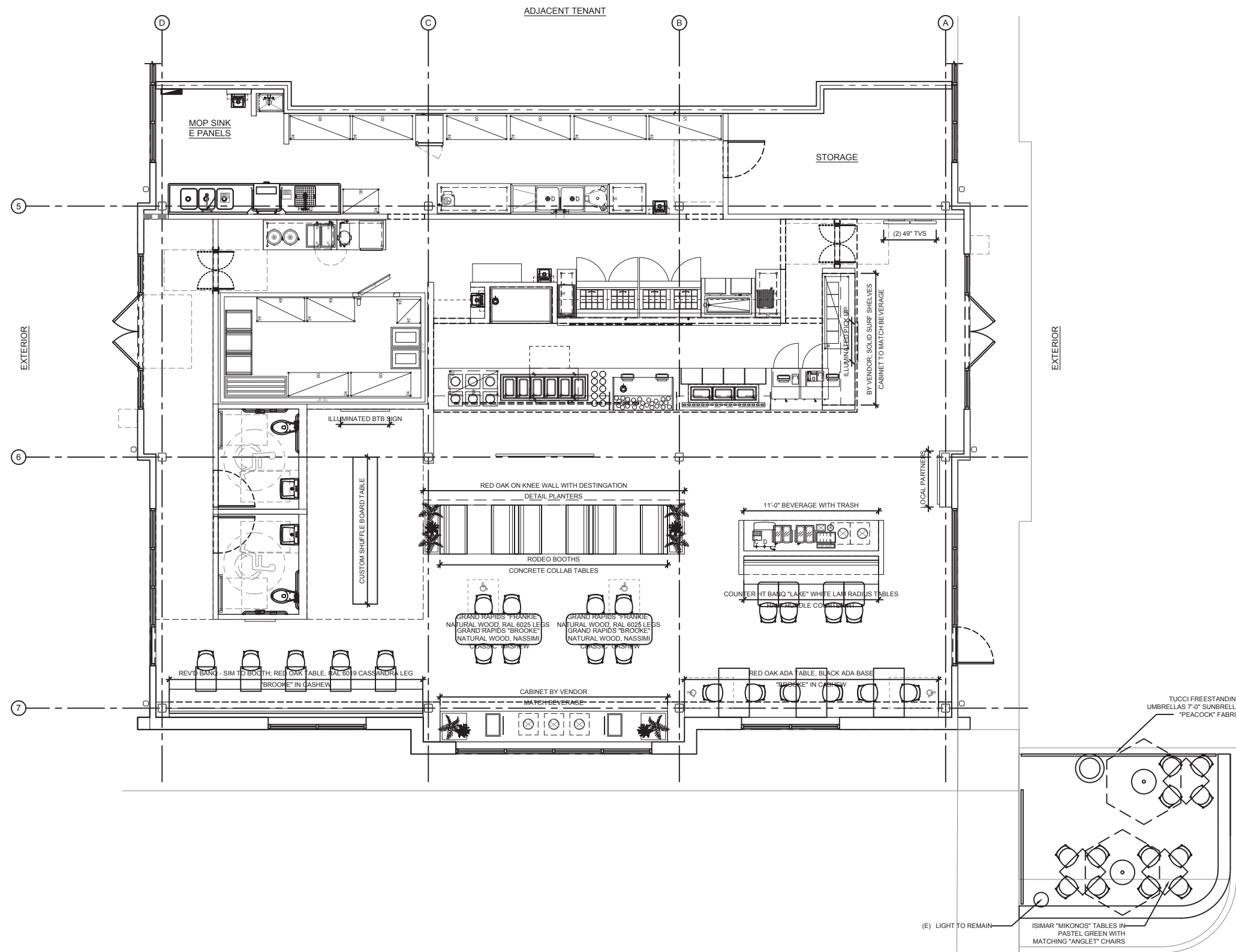
SHEET TITLE



CHOPT
 CREATIVE SALAD CO.
 GLASTONBURY CT

PROJECT INFORMATION
 DATE: JUNE 17, 2021

SHEET TITLE



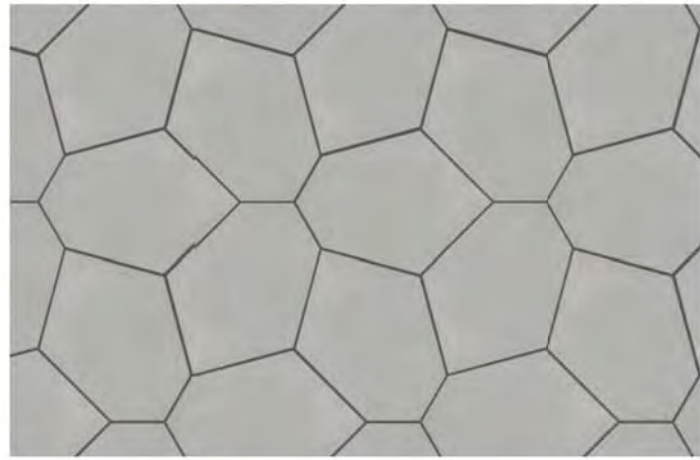
CHOPT
CREATIVE SALAD CO.
GLASTONBURY CT

PROJECT INFORMATION
DATE: JUNE 17, 2021

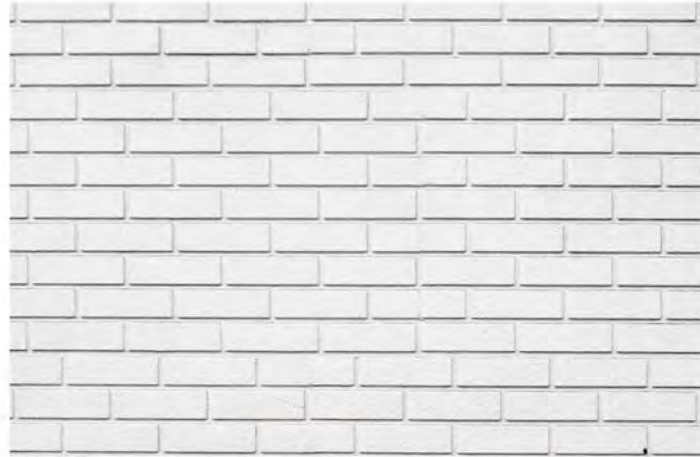
SHEET TITLE



TOP LEFT: VIEW FROM WELLES ST.
TOP RIGHT: VIEW FROM PARKING LOT APPROACH FROM GROVE ST.
BOTTOM LEFT: VIEW FROM CORNER OF WELLES ST. & GROVE ST.



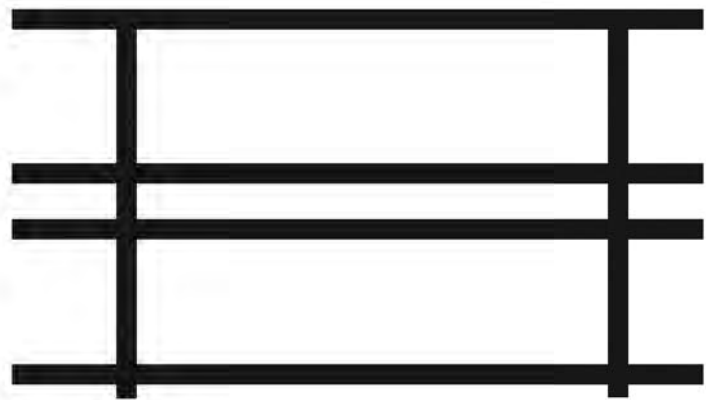
**FLORIDA TILE PATIO FLOOR
NY2LA - GRAMERCY GRAY**



**WHITE BRICK PATIO WALL
TO MATCH EXISTING FACADE**



**SPLIT EDGE STONE
WALL CAP**



**POWDERCOATED BLACK METAL
CUSTOM FENCING**



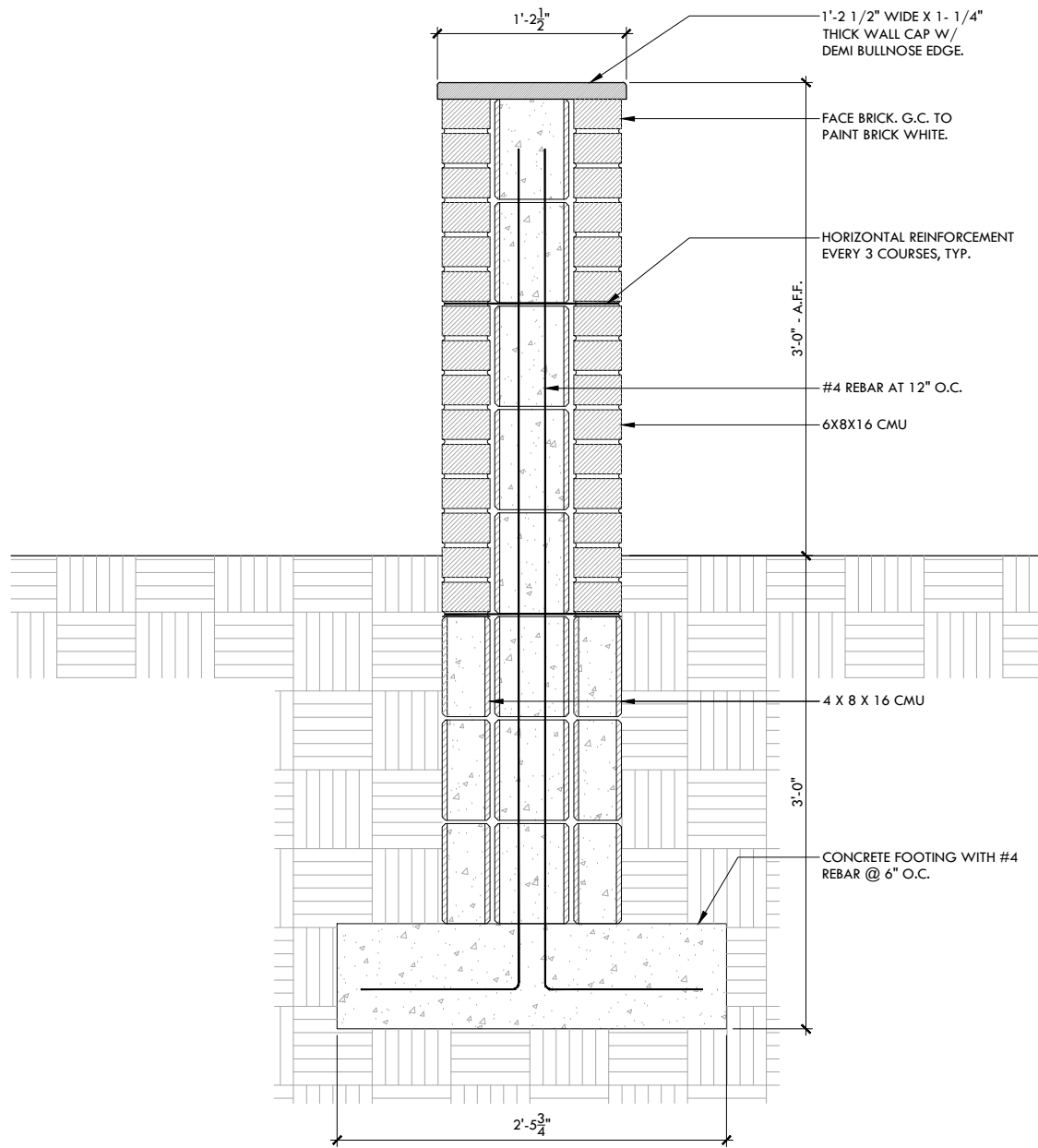
**ISIMAR MIKONOS TABLE
32X32 - POLAR ASH**



**ISIMAR ANGLET CHAIR
POLAR ASH**



**TUCCI FREESTANDING UMBRELLA
PEACOCK SUNBRELLA FABRIC**



1'-2 1/2"

1'-2 1/2" WIDE X 1- 1/4" THICK WALL CAP W/ DEMI BULLNOSE EDGE.

FACE BRICK. G.C. TO PAINT BRICK WHITE.

HORIZONTAL REINFORCEMENT EVERY 3 COURSES, TYP.

3'-0" - A.F.F.

#4 REBAR AT 12" O.C.

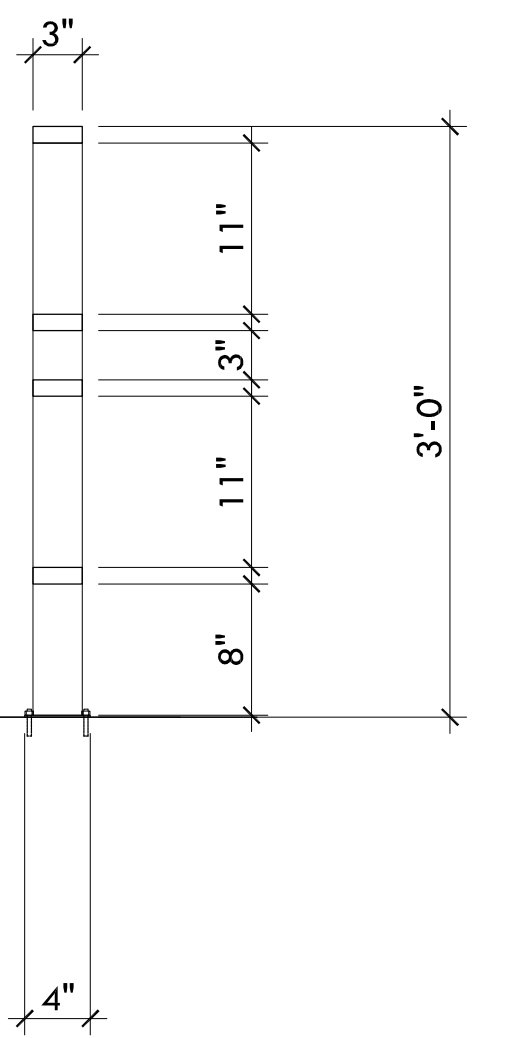
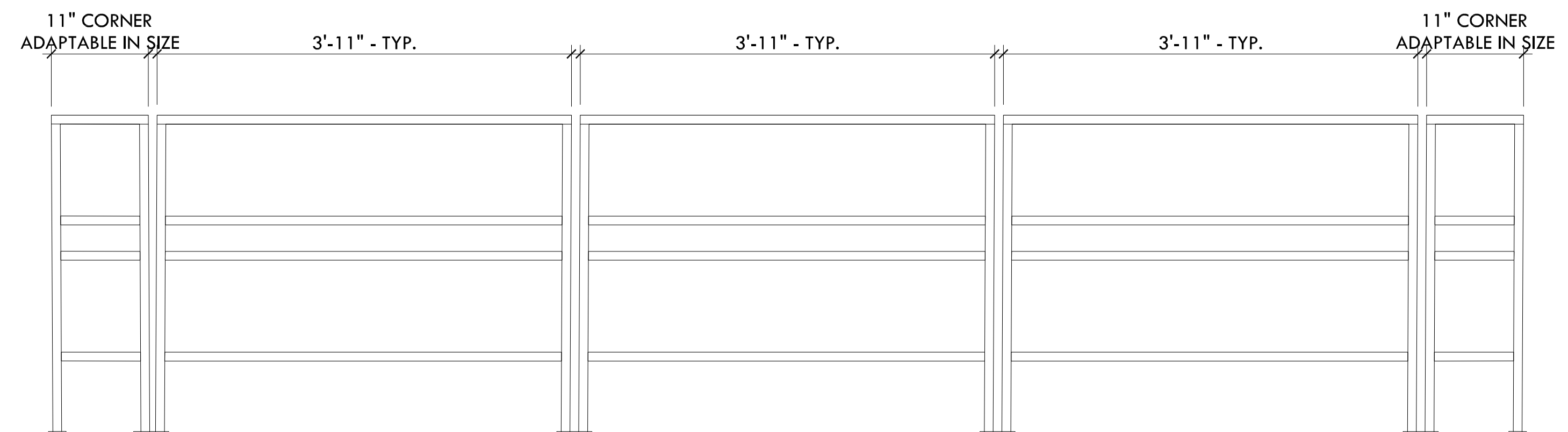
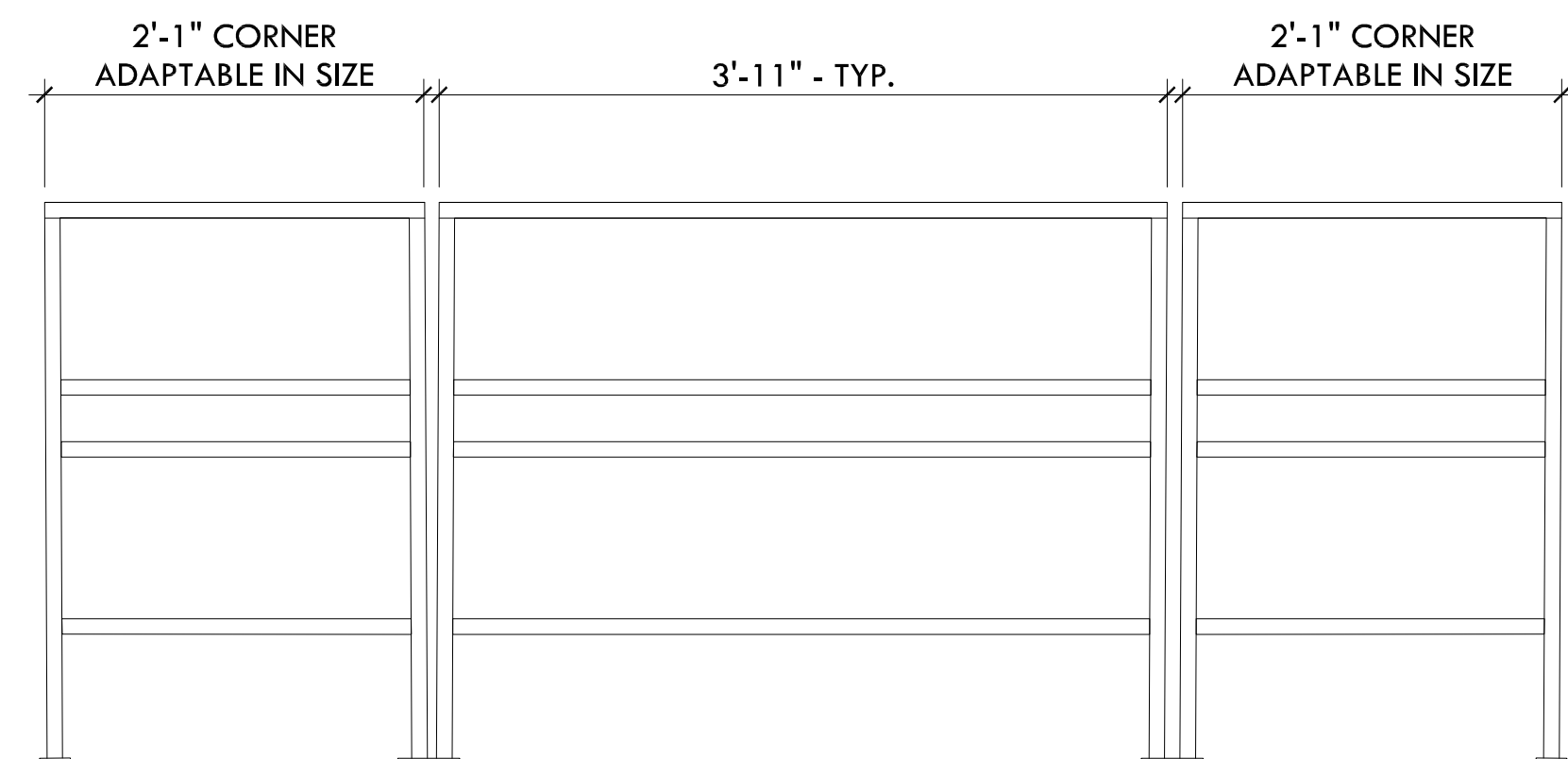
6X8X16 CMU

4 X 8 X 16 CMU

3'-0"

CONCRETE FOOTING WITH #4 REBAR @ 6" O.C.

2'-5 3/4"



HAND RAIL DETAIL

(N) 3" STEEL HANDRAIL
(BLACK POWDER COATED
FINISH) SUPPLIED AND
INSTALLED BY G.C.

(N) STEEL BASE PLATE
(BLACK POWDER COATED
FINISH) ANCHOR BOLTED
TO CONCRETE SLAB.

(E) CONCRETE SLAB

