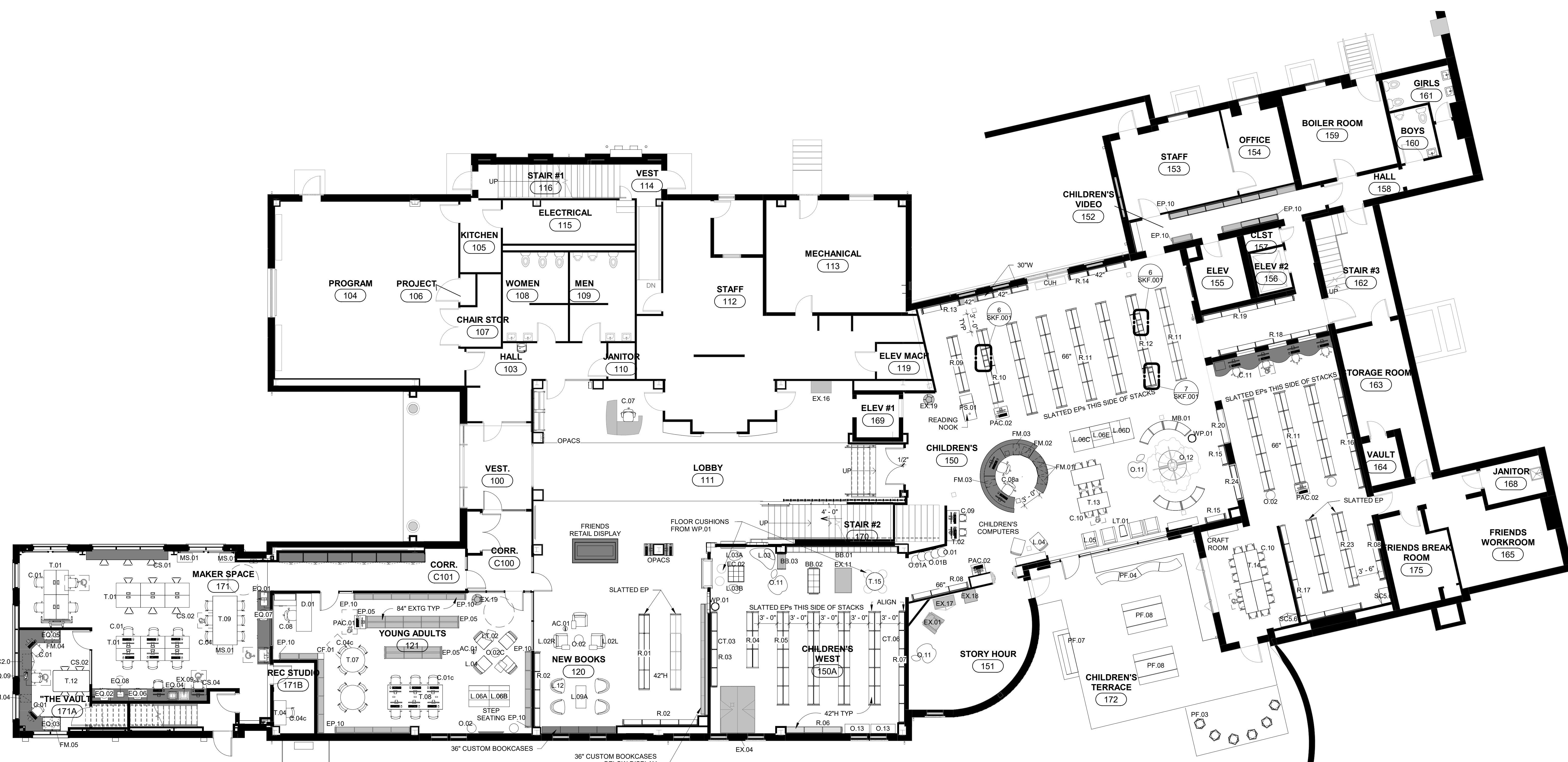


GLASTONBURY WELLES TURNER LIBRARY
 2407 MAIN ST, GLASTONBURY CT 06033

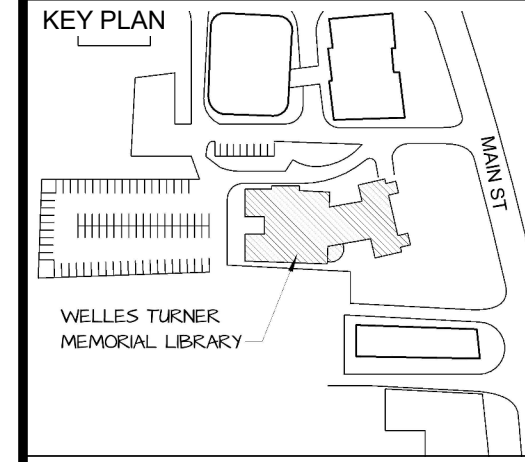


1 FIRST FLOOR FURNITURE PLAN
 1/8" = 1'-0"

EXISTING TO REMAIN
 NEW CASEWORK

NOTE TO VENDORS: Furniture is to be split between bid & CT DAS State Contract

CONFORMANCE SET



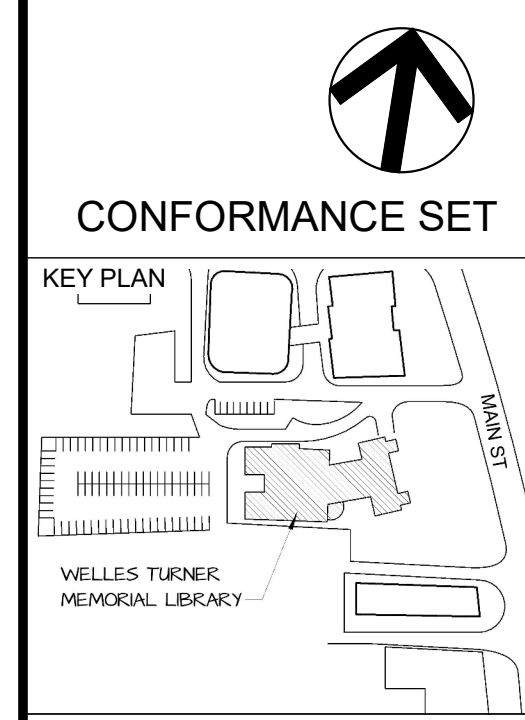
DRAWING TITLE
 FIRST FLOOR FURNITURE PLAN

GLAST. BID NO.	GL-2020-19
PROJ. NO.	190101
SCALE	As Indicated
DATE	6.1.2020
DRAWN BY	SJP
APPROVED BY	JS

ISSUE DATES		
NO.	DATE	PURPOSE
5	10/29/2020	CONFORMANCE SET
7	07/19/2021	FF&E BID

F1.01

GLASTONBURY WELLES TURNER LIBRARY
 2407 MAIN ST, GLASTONBURY CT 06033

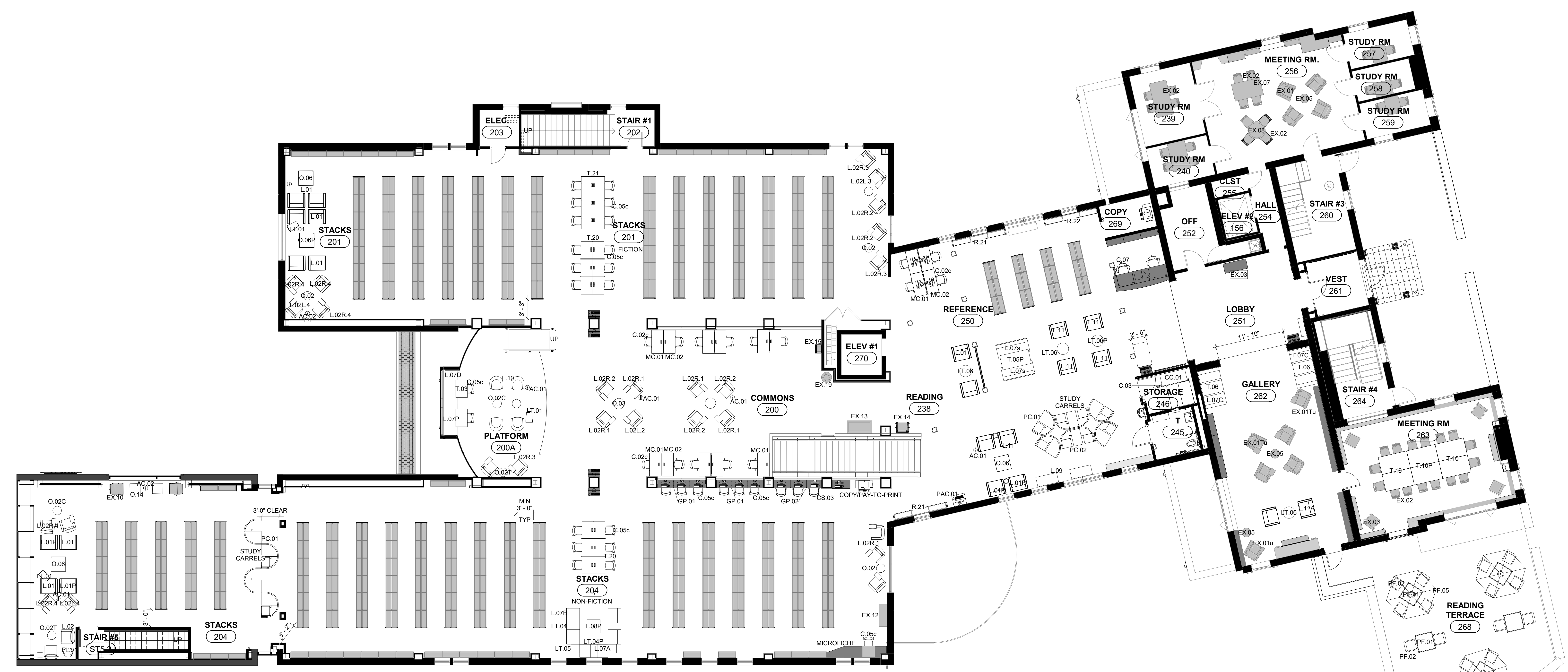


DRAWING TITLE
SECOND FLOOR FURNITURE PLAN

GLAST. BID NO.	GL-2020-19
PROJ. NO.	190101
SCALE	As Indicated
DATE	6.1.2020
DRAWN BY	Author
APPROVED BY	Approver

ISSUE DATES		
NO.	DATE	PURPOSE
5	10/29/2020	CONFORMANCE SET
7	07/19/2021	FF&E BID

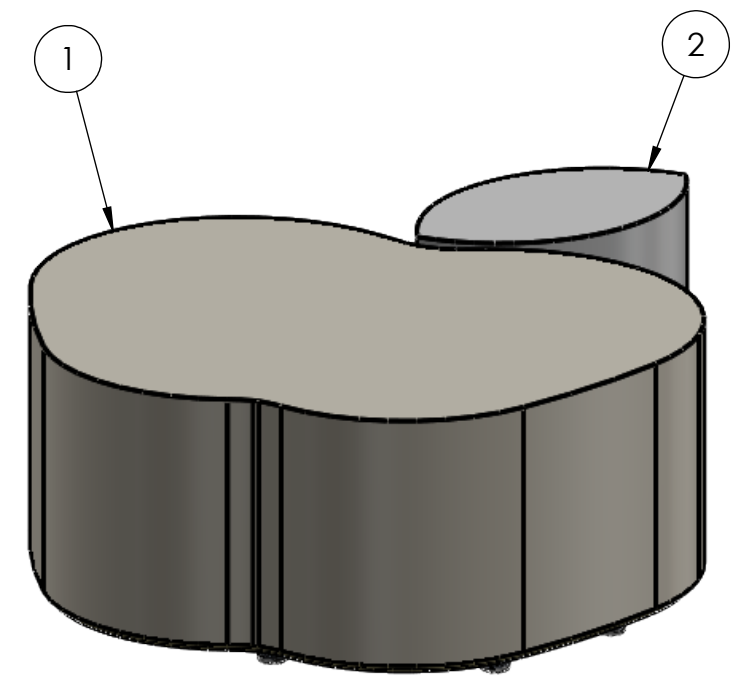
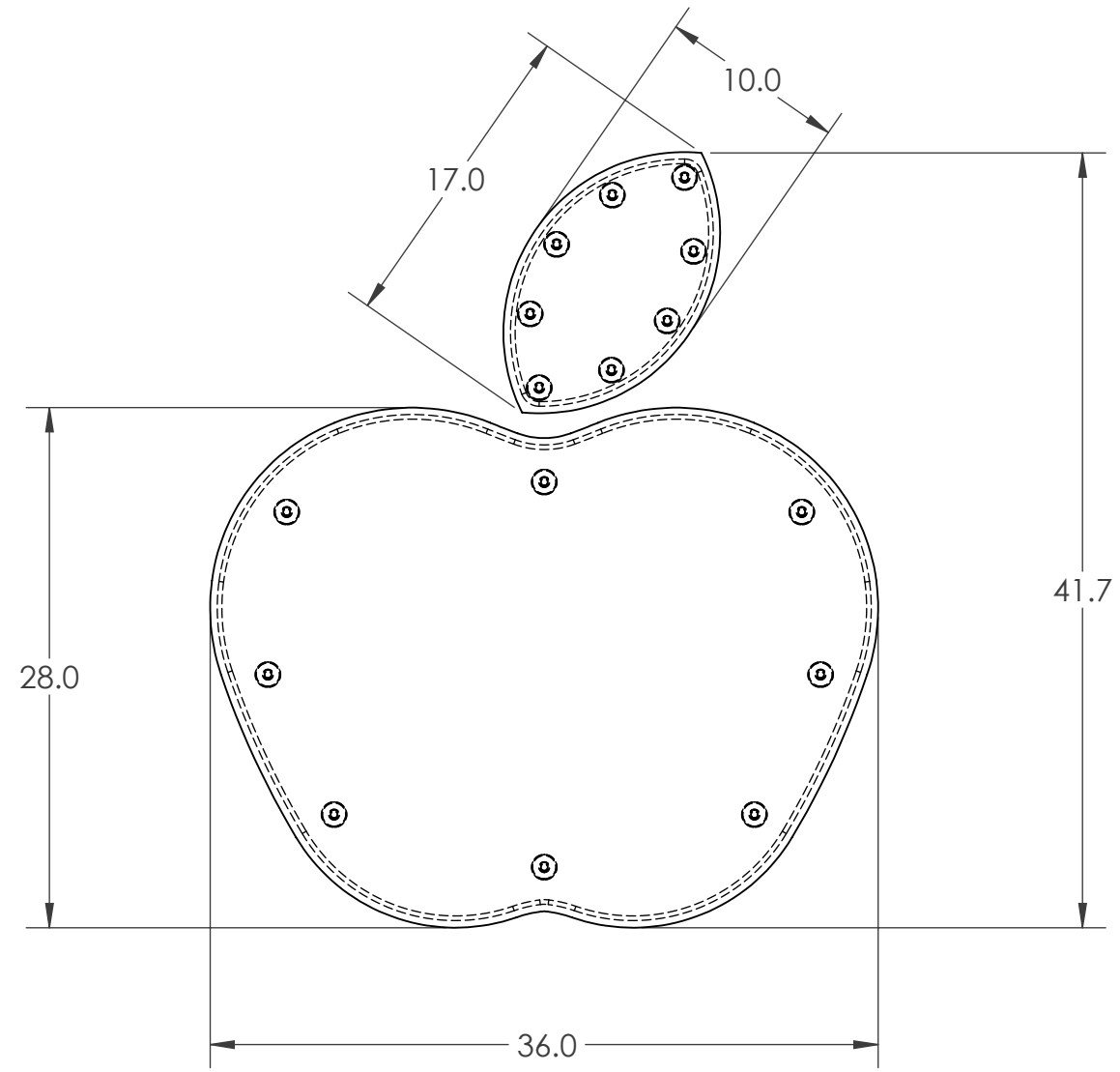
F1.02



1 SECOND FLOOR PLAN
 1/8" = 1'-0"
 EXISTING TO REMAIN
 NEW CASEWORK

NOTE TO VENDORS: Furniture is to be split between bid & CT DAS State Contract

REVISIONS			
REV.	DESCRIPTION OF CHANGE	ENG	DATE
A	CREATED	JJM	5/12/2020

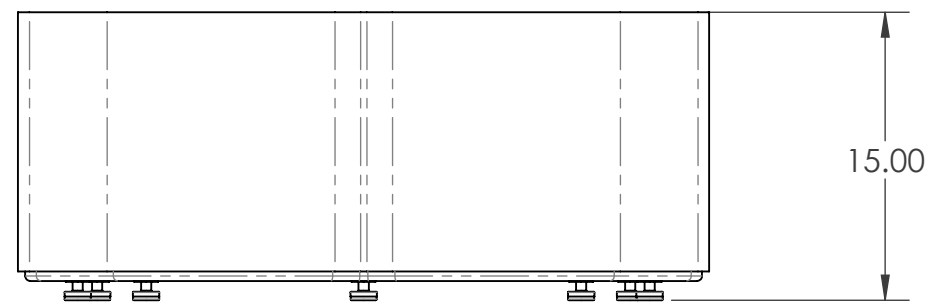
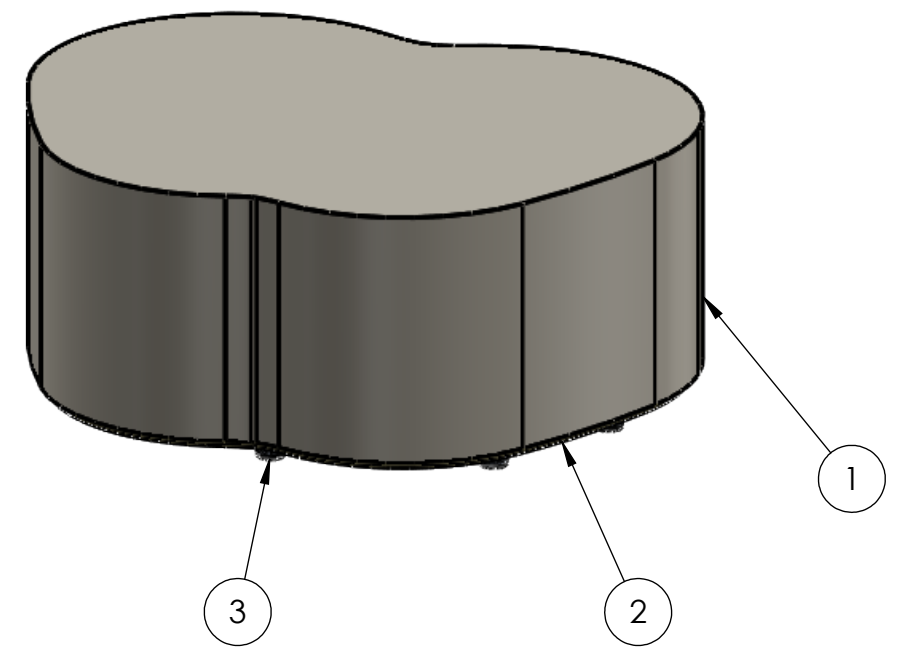
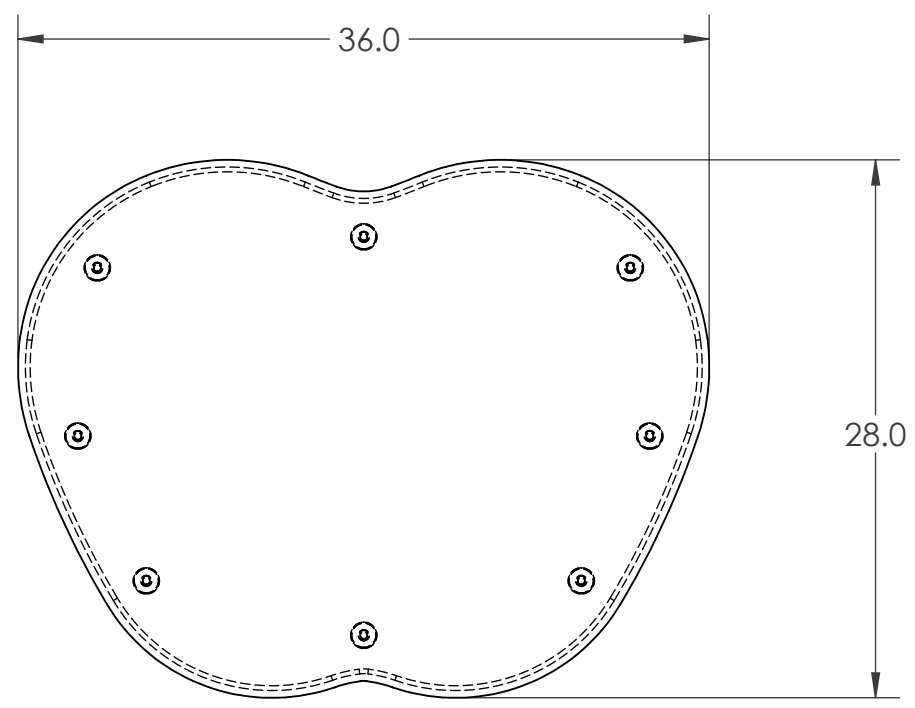


ITEM NO.	PART NUMBER	DESCRIPTION	QTY.	M/B
1	F000297-1-G	APPLE OTTOMAN - 36 x 28 x 15, GLIDES	1	M
2	F000297-2-G	APPLE LEAF OTTOMAN - 17 x 10 x 15, GLIDES	1	M


PROPRIETARY AND CONFIDENTIAL THE INFORMATION CONTAINED IN THIS DRAWING IS THE SOLE PROPERTY OF FOMCORE LLC. ANY REPRODUCTION IN PART OR AS A WHOLE WITHOUT THE WRITTEN PERMISSION OF FOMCORE LLC IS PROHIBITED.	DRAWN J.MORNINGSTAR	NAME J.MORNINGSTAR	DATE 8/17/2020		
	CUST APPRVD.				
	ENG APPR.				
	MFG APPR.				
				PART NO. F000297-G	
COMMENTS: All dimensions are within a tolerance of ± 1/4"		DESCRIPTION APPLE OTTOMAN SET - 41.7L x 36W x 15H, GLIDES		SIZE B	REV A
DO NOT SCALE DRAWING		SCALE: 1:10	WEIGHT: 26.94	FABRIC YDS:	SHEET 1 OF 1

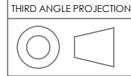
8 7 6 5 4 3 2 1

REVISIONS			
REV.	DESCRIPTION OF CHANGE	ENG	DATE
A	CREATED	JJM	8/17/2020



ITEM NO.	PART NUMBER	DESCRIPTION	QTY.	M/B
1	X000297-1	FOAM - 70#, 36 x 28 x 13.5, APPLE	1	M
2	W000297-1	WOOD 1/2 MDF, 35.25 x 27.27, APPLE	1	M
3	SLIDER GLIDE ASSY	1" SLIDER GLIDE W/ SPACER&WASHER	8	B

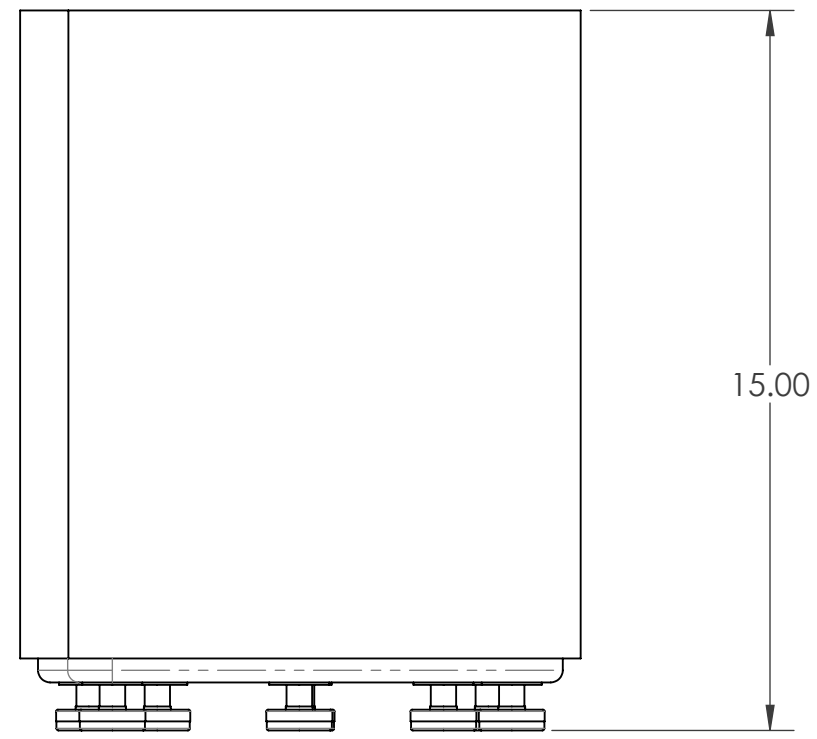
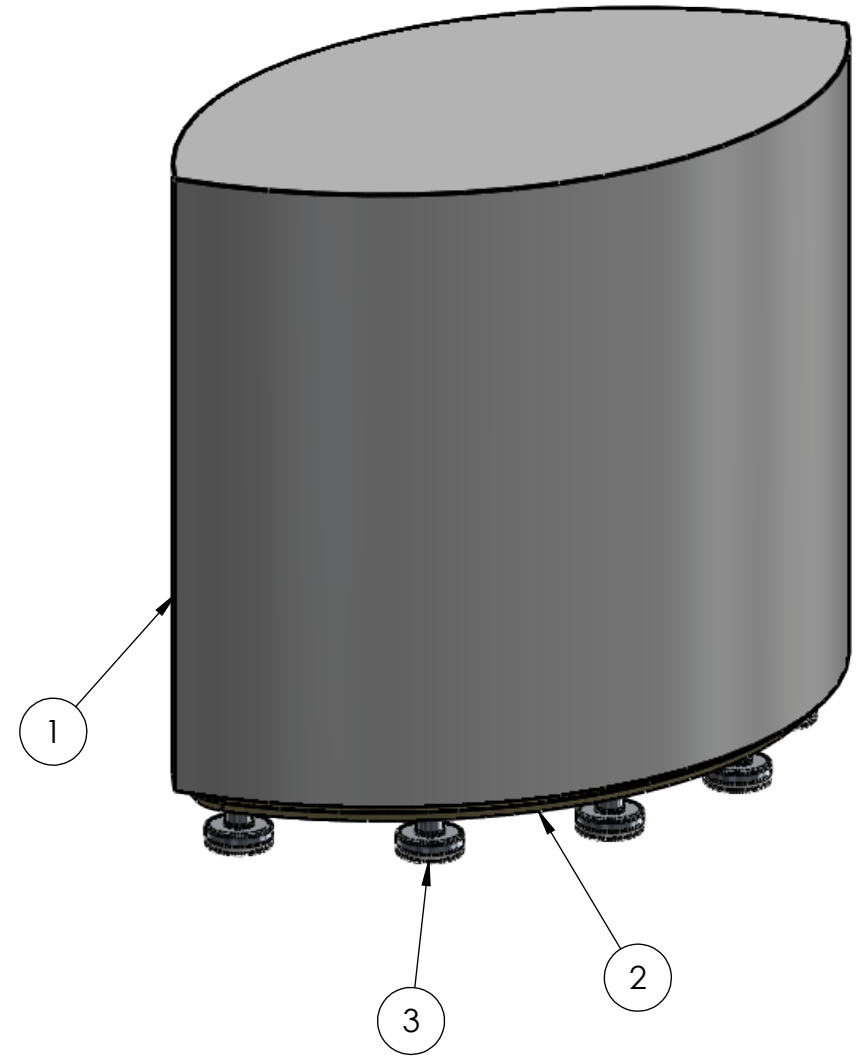
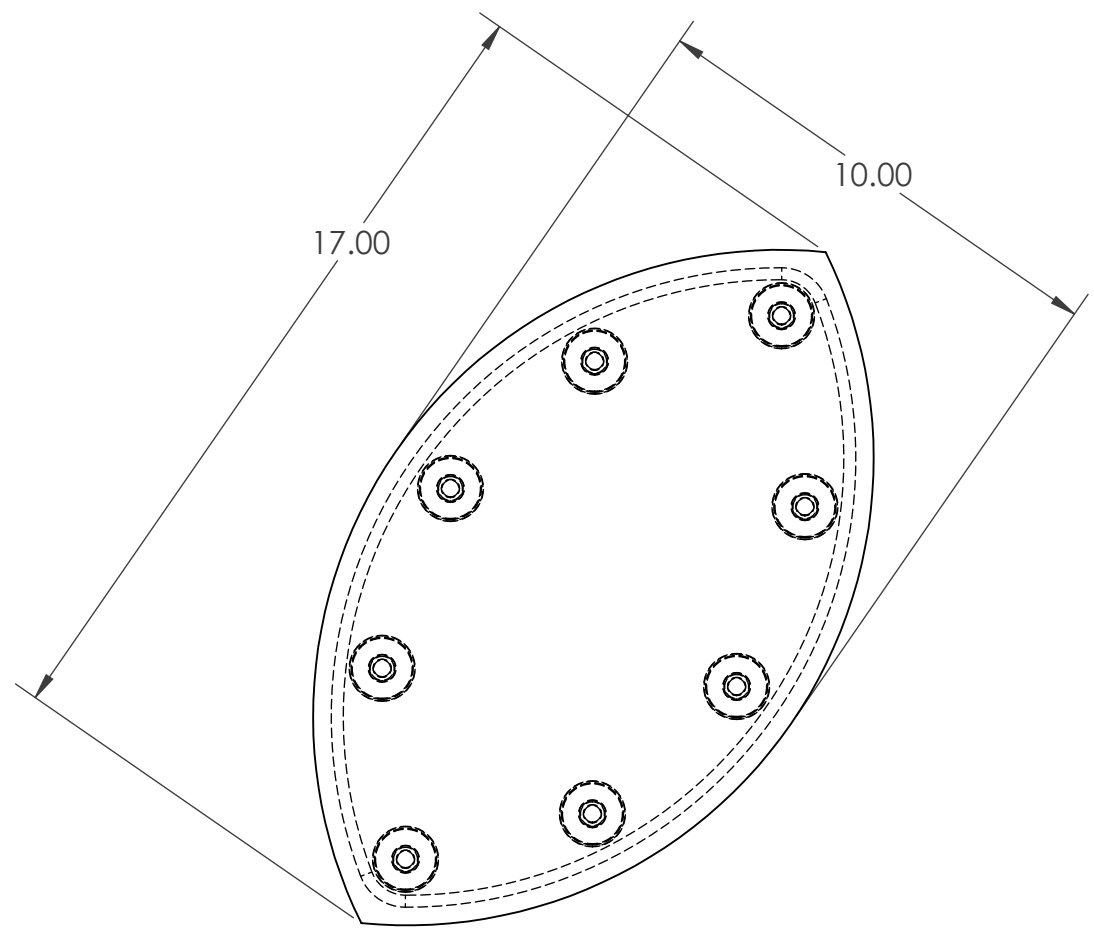
PROPRIETARY AND CONFIDENTIAL THE INFORMATION CONTAINED IN THIS DRAWING IS THE SOLE PROPERTY OF FOMCORE LLC. ANY REPRODUCTION IN PART OR AS A WHOLE WITHOUT THE WRITTEN PERMISSION OF FOMCORE LLC IS PROHIBITED.	DRAWN	J.MORNINGSTAR	8/17/2020	 PART NO. F000297-1-G
	CUST APPRVD.			
	ENG APPR.			
	MFG APPR.			
	Q.A.			

COMMENTS: All dimensions are within a tolerance of ± 1/4"		DESCRIPTION APPLE OTTOMAN - 36 x 28 x 15, GLIDES	SIZE B	REV A
DO NOT SCALE DRAWING	SCALE:1:10	WEIGHT: 22.86	FABRIC YDS:	SHEET 1 OF 1

8 7 6 5 4 3 2 1

8 7 6 5 4 3 2 1

REVISIONS			
REV.	DESCRIPTION OF CHANGE	ENG	DATE
A	CREATED	JJM	8/17/2020



ITEM NO.	PART NUMBER	DESCRIPTION	QTY.	M/B
1	X000297-2	FOAM - 70#, 17 x 10 x 13.5, APPLE LEAF	1	M
2	W000297-2	WOOD 1/2 MDF, 16.14 x 9.25, APPLE LEAF	1	M
3	SLIDER GLIDE ASSY	1" SLIDER GLIDE W/ SPACER&WASHER	8	B

<p>PROPRIETARY AND CONFIDENTIAL</p> <p>THE INFORMATION CONTAINED IN THIS DRAWING IS THE SOLE PROPERTY OF FOMCORE LLC. ANY REPRODUCTION IN PART OR AS A WHOLE WITHOUT THE WRITTEN PERMISSION OF FOMCORE LLC IS PROHIBITED.</p>	NAME	DATE		
	DRAWN	J.MORNINGSTAR		8/17/2020
	CUST APPRVD.			
	ENG APPR.			
	MFG APPR.		PART NO.	
	Q.A.		F000297-2-G	
COMMENTS:	DESCRIPTION		SIZE	REV
All dimensions are within a tolerance of ± 1/4"	APPLE LEAF OTTOMAN - 17 x 10 x 15, GLIDES		B	A
THIRD ANGLE PROJECTION	SCALE: 1:4	WEIGHT: 4.08	FABRIC YDS:	SHEET 1 OF 1
DO NOT SCALE DRAWING				

8 7 6 5 4 3 2 1