



Town of Glastonbury

2155 Main Street
Glastonbury CT, 06033

ISSUED FOR BID AND PERMIT 04-02-2021

Window Replacement at
2157 Main Street
GL-2021-18

DRAWING LIST

	COVER SHEET with DRAWING LIST
A-101	FLOOR PLANS
A-201	EXTERIOR ELEVATIONS
A-301	WINDOW ELEVATIONS AND SCHEDULE
A-302	WINDOW DETAILS



GENERAL NOTES:

1. ALL PLAN AND EXTERIOR ELEVATION DRAWINGS ARE NOT TO SCALE.
2. PLAN AND EXTERIOR ELEVATIONS DRAWINGS ARE TO LOCATE WINDOWS ONLY.
3. WINDOW INFORMATION SHOWN ON A-301.
4. VERIFY ALL WINDOW DIMENSIONS IN FIELD
5. FURNISH AND INSTALL NEW CUSTOM EXTERIOR CELLULAR PVC CASING AND SILLS. ALL PROFILES, WIDTHS AND THICKNESS TO MATCH EXISTING.
6. FURNISH AND INSTALL NEW CUSTOM INTERIOR PAINTED WOOD CASING AND SILLS. ALL PROFILES, WIDTHS AND THICKNESS TO MATCH EXISTING.



2 SOUTH ELEVATION (SIDE)
NTS



3 EAST ELEVATION (BACK)
NTS



2 NORTH ELEVATION (SIDE)
NTS



1 WEST ELEVATION (FRONT)
NTS

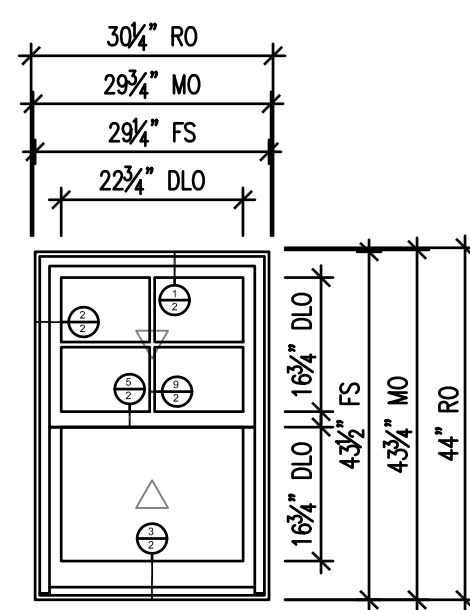
Revisions		
NO.	ISSUE	DATE
01	ISSUED FOR BID	04.02.21

Sheet Information	
Date	04.02.2021
Job Number	146.03.001
Scale	NTS
Drawn	JP
Checked	JS

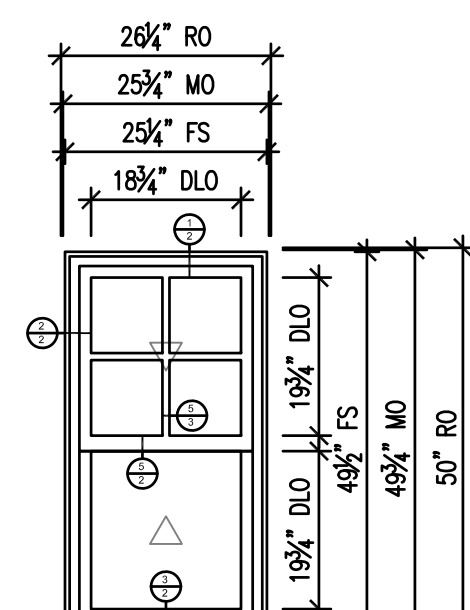
Title
EXTERIOR ELEVATIONS

Apr 02, 2021 - 4:19pm
P:\Glastonbury (Town)\146.03.001 Glastonbury - Window Replacement 2157 Main Street\DESIGN\AUTOCAD\A-201_ext_elev_146.03.001.dwg
jstebach

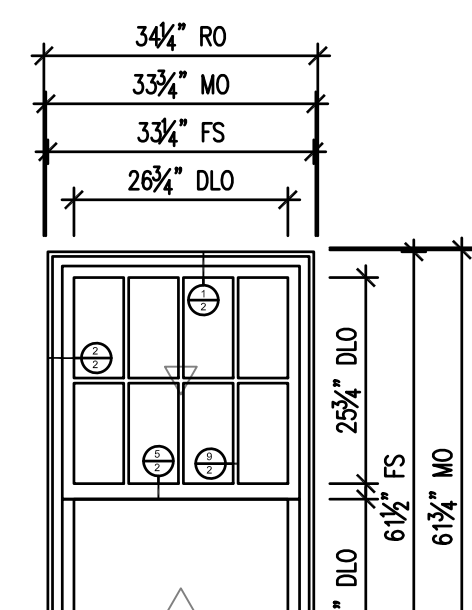
Line #	Qty	Mark Unit	Product Line	Unit Description	Rough Opening	Frame Size	Masonry Opening	Sash Opening	Inside Opening	Exterior Finish	Species	Interior Finish	Unit Type	Call Number	Glass Information	Hardware Type	Screen Type	Hardware Color	Screen Surround Color	Screen Mesh Type	Jamb Depth	Exterior Casing
1	1	KITCHEN 8/107 FF	Ultimate	Double Hung G2	34 1/4" X 64"	33 3/4" X 63 1/2"	33 3/4" X 63 3/4"	34 1/4" X 64"	34 1/4" X 64"	Stone White	Pine	Bare	Double Hung G2	CN28 width	IG, Tempered Low E2 w/Argon, Black	Sash Lock, Lift Type: None, No Finger Pull, Top Sash Limiter: None, Bottom Sash Limiter: None	Aluminum Screen	Satin Taupe	Stone White	Charcoal Fiberglass Mesh	Standard Jamb, Custom, 5 1/4"	Casing Type: None
2	1	BATH 10/108 FF	Ultimate	Double Hung G2	26 1/4" X 44"	25 1/4" X 43 1/2"	25 3/4" X 43 3/4"	26 1/4" X 44"	26 1/4" X 44"	Stone White	Pine	Bare	Double Hung G2	CN20 width	IG, Tempered Low E2 w/Argon, Black	Sash Lock, Lift Type: None, No Finger Pull, Top Sash Limiter: None, Bottom Sash Limiter: None	Aluminum Screen	Satin Taupe	Stone White	Charcoal Fiberglass Mesh	Standard Jamb, Custom, 5 1/4"	Casing Type: None
3	2	DINING 11/106 FF	Ultimate	Double Hung G2	34 1/4" X 64"	33 1/4" X 63 1/2"	33 3/4" X 63 3/4"	34 1/4" X 64"	34 1/4" X 64"	Stone White	Pine	Bare	Double Hung G2	CN28 width	IG, Low E2 w/Argon, Black	Sash Lock, Lift Type: None, No Finger Pull, Top Sash Limiter: None, Bottom Sash Limiter: None	Aluminum Screen	Satin Taupe	Stone White	Charcoal Fiberglass Mesh	Standard Jamb, Custom, 5 1/4"	Casing Type: None
4	5	ROOM 12/105 FF	Ultimate	Double Hung G2	34 1/4" X 64"	33 1/4" X 63 1/2"	33 3/4" X 63 3/4"	34 1/4" X 64"	34 1/4" X 64"	Stone White	Pine	Bare	Double Hung G2	CN28 width	IG, Low E2 w/Argon, Black	Sash Lock, Lift Type: None, No Finger Pull, Top Sash Limiter: None, Bottom Sash Limiter: None	Aluminum Screen	Satin Taupe	Stone White	Charcoal Fiberglass Mesh	Standard Jamb, Custom, 5 1/4"	Casing Type: None
5	5	LIVING 15/102 FF	Ultimate	Double Hung G2	34 1/4" X 64"	33 1/4" X 63 1/2"	33 3/4" X 63 3/4"	34 1/4" X 64"	34 1/4" X 64"	Stone White	Pine	Bare	Double Hung G2	CN28 width	IG, Low E2 w/Argon, Black	Sash Lock, Lift Type: None, No Finger Pull, Top Sash Limiter: None, Bottom Sash Limiter: None	Aluminum Screen	Satin Taupe	Stone White	Charcoal Fiberglass Mesh	Standard Jamb, Custom, 5 1/4"	Casing Type: None
6	2	STUDY 16/101 FF	Ultimate	Double Hung G2	26 1/4" X 64"	25 1/4" X 63 1/2"	25 3/4" X 63 3/4"	26 1/4" X 64"	26 1/4" X 64"	Stone White	Pine	Bare	Double Hung G2	CN28 width	IG, Low E2 w/Argon, Black	Sash Lock, Lift Type: None, No Finger Pull, Top Sash Limiter: None, Bottom Sash Limiter: None	Aluminum Screen	Satin Taupe	Stone White	Charcoal Fiberglass Mesh	Standard Jamb, Custom, 5 1/4"	Casing Type: None
7	3	STUDY 16/101 FF	Ultimate	Double Hung G2	34 1/4" X 64"	33 1/4" X 63 1/2"	33 3/4" X 63 3/4"	34 1/4" X 64"	34 1/4" X 64"	Stone White	Pine	Bare	Double Hung G2	CN28 width	IG, Low E2 w/Argon, Black	Sash Lock, Lift Type: None, No Finger Pull, Top Sash Limiter: None, Bottom Sash Limiter: None	Aluminum Screen	Satin Taupe	Stone White	Charcoal Fiberglass Mesh	Standard Jamb, Custom, 5 1/4"	Casing Type: None
8	2	KITCHEN 8/107 FF	Ultimate	Double Hung G2	34 1/4" X 49"	33 1/4" X 48 1/2"	33 3/4" X 48 3/4"	34 1/4" X 49"	34 1/4" X 49"	Stone White	Pine	Bare	Double Hung G2	CN28 width	IG, Low E2 w/Argon, Black	Sash Lock, Lift Type: None, No Finger Pull, Top Sash Limiter: None, Bottom Sash Limiter: None	Aluminum Screen	Satin Taupe	Stone White	Charcoal Fiberglass Mesh	Standard Jamb, Custom, 5 1/4"	Casing Type: None
12	1	Basement West	Ultimate	Double Hung G2	30 1/4" X 38"	29 3/4" X 37 1/2"	29 3/4" X 37 3/4"	30 1/4" X 38"	30 1/4" X 38"	Stone White	Pine	Bare	Double Hung G2	CN24 width	IG, Tempered Low E2 Obscure w/Argon, Black	Sash Lock, Lift Type: None, No Finger Pull, Top Sash Limiter: None, Bottom Sash Limiter: None	Aluminum Screen	Satin Taupe	Stone White	Charcoal Fiberglass Mesh	4 9/16"	Casing Type: None
13	1	Basement West	Ultimate	Double Hung Picture G2	34 1/2" X 37 1/2"	33 1/2" X 37"	34 3/8" X 37 1/4"	34 1/2" X 37 1/2"	34 1/2" X 37 1/2"	Stone White	Pine	Bare	Double Hung Picture G2	None	IG, Tempered Low E2 w/Argon, Black	None	None	None	None	None	4 9/16"	Casing Type: None
14	4	Basement TBD VIF	Ultimate	Double Hung Transom G2	33" X 18"	32" X 18 1/2"	32 1/2" X 18 3/4"	33" X 18"	33" X 18"	Stone White	Pine	Bare	Double Hung Transom G2	None	IG, Low E2 w/Argon, Black	None	None	None	None	None	4 9/16"	Casing Type: None
15	1	Basement TBD VIF	Ultimate	Double Hung Transom G2	33" X 17"	32" X 16 1/2"	32 1/2" X 16 3/4"	33" X 17"	33" X 17"	Stone White	Pine	Bare	Double Hung Transom G2	None	IG, Low E2, Black	None	None	None	None	None	4 9/16"	Casing Type: None
16	1	BR 23 / 210	Ultimate	Double Hung G2	26 1/4" X 49"	25 1/4" X 48 1/2"	25 3/4" X 48 3/4"	26 1/4" X 49"	26 1/4" X 49"	Stone White	Pine	Bare	Double Hung G2	CN20 width	IG, Low E2 w/Argon, Black	Sash Lock, Lift Type: None, No Finger Pull, Top Sash Limiter: None, Bottom Sash Limiter: None	Aluminum Screen	Satin Taupe	Stone White	Charcoal Fiberglass Mesh	Standard Jamb, Custom, 5 1/4"	Casing Type: None
17	3	BR 23 / 210	Ultimate	Double Hung G2	34 1/4" X 62"	33 1/4" X 61 1/2"	33 3/4" X 61 3/4"	34 1/4" X 62"	34 1/4" X 62"	Stone White	Pine	Bare	Double Hung G2	CN28 width	IG, Low E2 w/Argon, Black	Sash Lock, Lift Type: None, No Finger Pull, Top Sash Limiter: None, Bottom Sash Limiter: None	Aluminum Screen	Satin Taupe	Stone White	Charcoal Fiberglass Mesh	Standard Jamb, Custom, 5 1/4"	Casing Type: None
18	4	BR 20 / 203	Ultimate	Double Hung G2	34 1/4" X 62"	33 1/4" X 61 1/2"	33 3/4" X 61 3/4"	34 1/4" X 62"	34 1/4" X 62"	Stone White	Pine	Bare	Double Hung G2	CN28 width	IG, Low E2 w/Argon, Black	Sash Lock, Lift Type: None, No Finger Pull, Top Sash Limiter: None, Bottom Sash Limiter: None	Aluminum Screen	Satin Taupe	Stone White	Charcoal Fiberglass Mesh	Standard Jamb, Custom, 5 1/4"	Casing Type: None
19	2	BR 19 / 207	Ultimate	Double Hung G2	34 1/4" X 62"	33 1/4" X 61 1/2"	33 3/4" X 61 3/4"	34 1/4" X 62"	34 1/4" X 62"	Stone White	Pine	Bare	Double Hung G2	CN28 width	IG, Low E2 w/Argon, Black	Sash Lock, Lift Type: None, No Finger Pull, Top Sash Limiter: None, Bottom Sash Limiter: None	Aluminum Screen	Satin Taupe	Stone White	Charcoal Fiberglass Mesh	Standard Jamb, Custom, 5 1/4"	Casing Type: None
20	2	STAIR LANDING	Ultimate	Double Hung G2	30 1/4" X 65"	29 1/4" X 64 1/2"	29 3/4" X 64 3/4"	30 1/4" X 65"	30 1/4" X 65"	Stone White	Pine	Bare	Double Hung G2	CN24 width	IG, Tempered Low E2 w/Argon, Black	Sash Lock, Lift Type: None, No Finger Pull, Top Sash Limiter: None, Bottom Sash Limiter: None	Aluminum Screen	Satin Taupe	Stone White	Charcoal Fiberglass Mesh	Standard Jamb, Custom, 5 1/4"	Casing Type: None
21	2	BATH 25/209	Ultimate	Double Hung G2	34 1/4" X 62"	33 1/4" X 61 1/2"	33 3/4" X 61 3/4"	34 1/4" X 62"	34 1/4" X 62"	Stone White	Pine	Bare	Double Hung G2	CN28 width	IG, Low E2 w/Argon, Black	Sash Lock, Lift Type: None, No Finger Pull, Top Sash Limiter: None, Bottom Sash Limiter: None	Aluminum Screen	Satin Taupe	Stone White	Charcoal Fiberglass Mesh	Standard Jamb, Custom, 5 1/4"	Casing Type: None
22	2	FRONT 29/302	Ultimate	Double Hung G2	26 1/4" X 50"	25 1/4" X 49 1/2"	25 3/4" X 49 3/4"	26 1/4" X 50"	26 1/4" X 50"	Stone White	Pine	Bare	Double Hung G2	CN20 width	IG, Low E2 w/Argon, Black	Sash Lock, Lift Type: None, No Finger Pull, Top Sash Limiter: None, Bottom Sash Limiter: None	Aluminum Screen	Satin Taupe	Stone White	Charcoal Fiberglass Mesh	Standard Jamb, Custom, 5 1/4"	Casing Type: None
23	2	ROOM 28/301	Ultimate	Double Hung G2	30 1/4" X 44"	29 1/4" X 43 1/2"	29 3/4" X 43 3/4"	30 1/4" X 44"	30 1/4" X 44"	Stone White	Pine	Bare	Double Hung G2	CN24 width	IG, Low E2 w/Argon, Black	Sash Lock, Lift Type: None, No Finger Pull, Top Sash Limiter: None, Bottom Sash Limiter: None	Aluminum Screen	Satin Taupe	Stone White	Charcoal Fiberglass Mesh	Standard Jamb, Custom, 5 1/4"	Casing Type: None



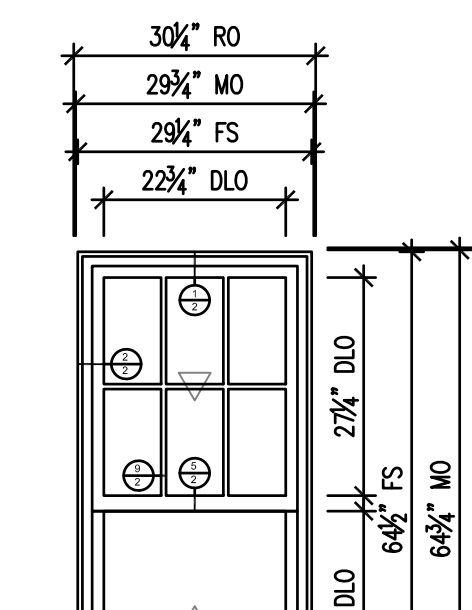
23 ROOM 28 / 301
1/2" = 1'-0"



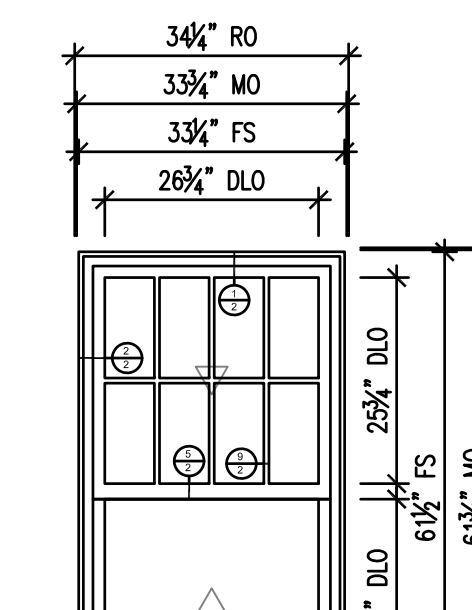
22 FRONT 29 / 302
1/2" = 1'-0"



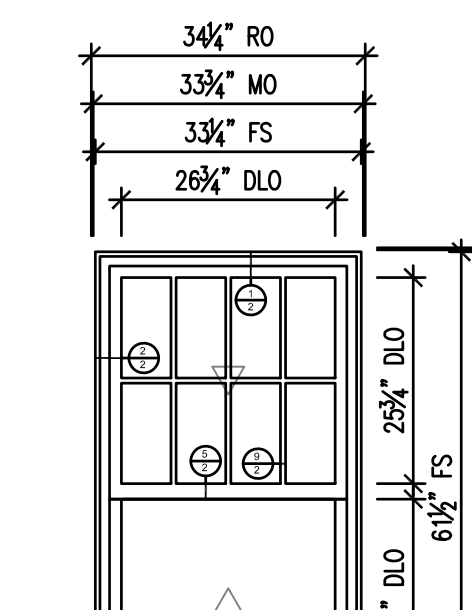
21 BATH 25 / 209
1/2" = 1'-0"



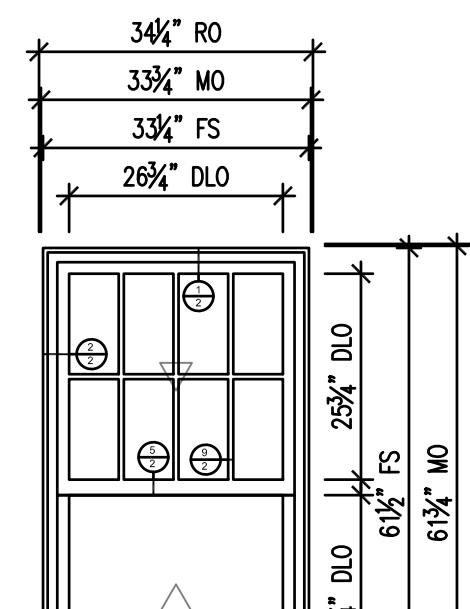
20 STAIR LANDING
1/2" = 1'-0"



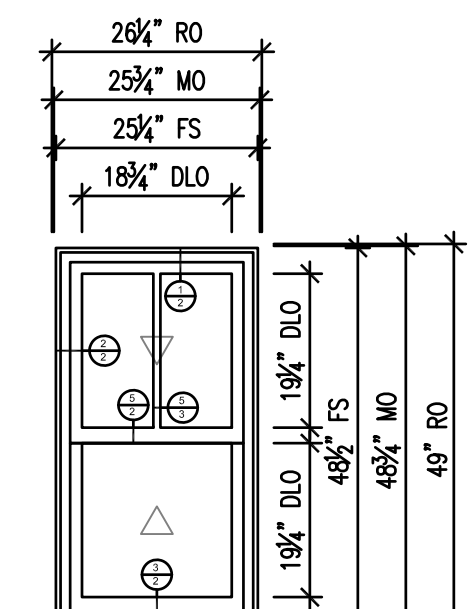
19 BR 19 / 207
1/2" = 1'-0"



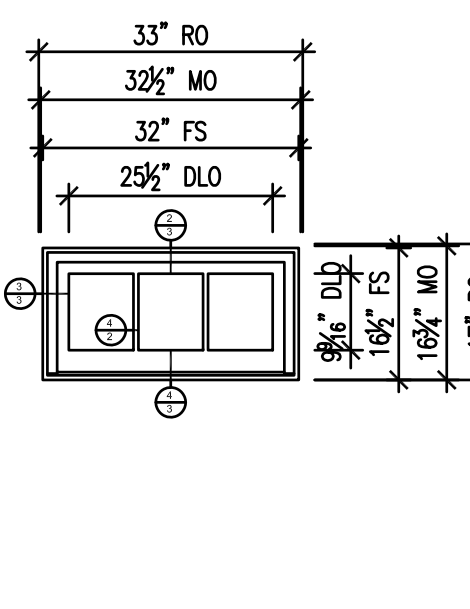
18 BR 20 / 203
1/2" = 1'-0"



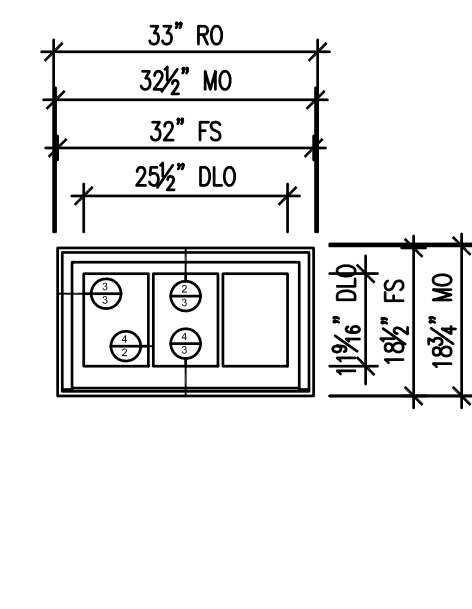
17 BR 23 / 210
1/2" = 1'-0"



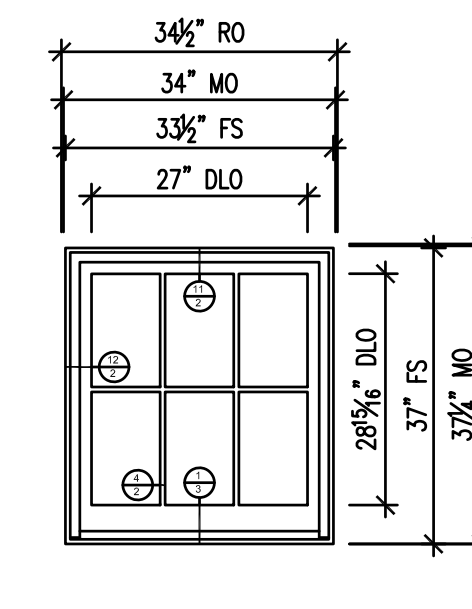
16 BR 23 / 210
1/2" = 1'-0"



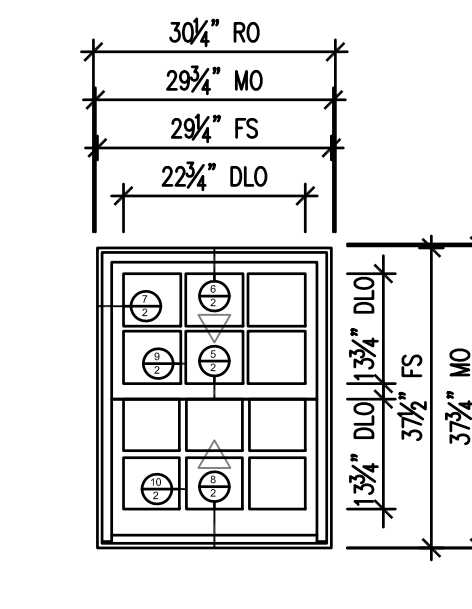
15 BASEMENT TBD VIF
1/2" = 1'-0"



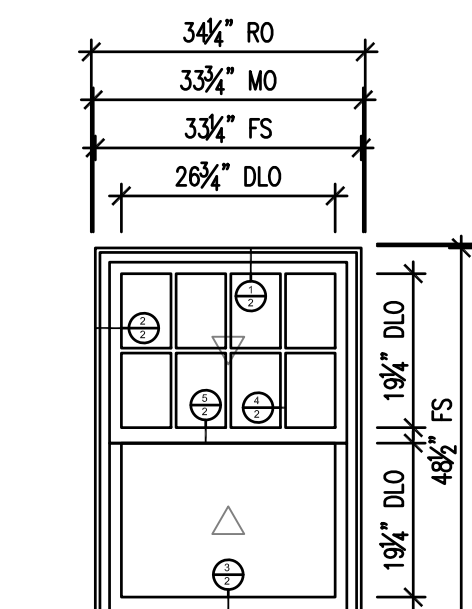
14 BASEMENT TBD VIF
1/2" = 1'-0"



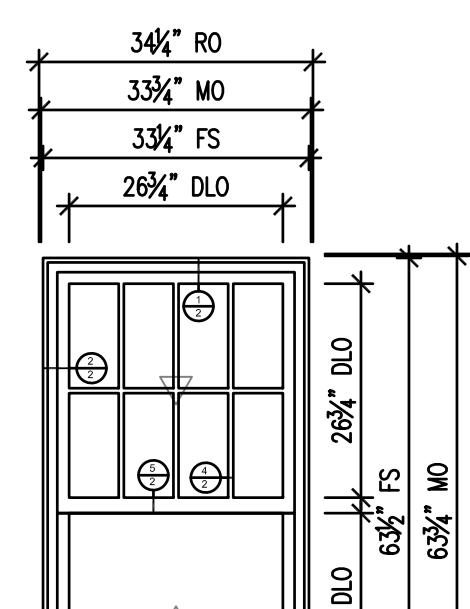
13 BASEMENT
1/2" = 1'-0"



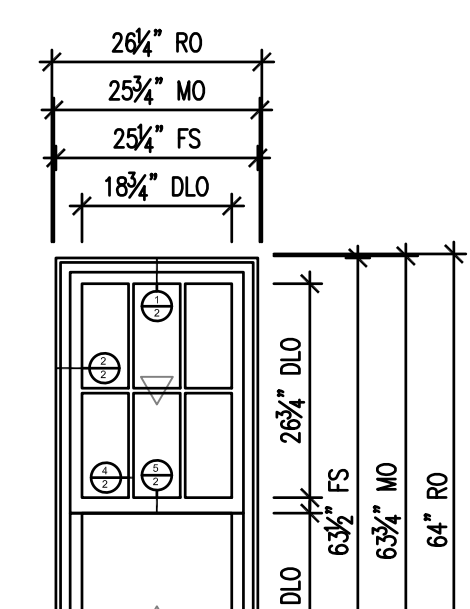
12 BASEMENT
1/2" = 1'-0"



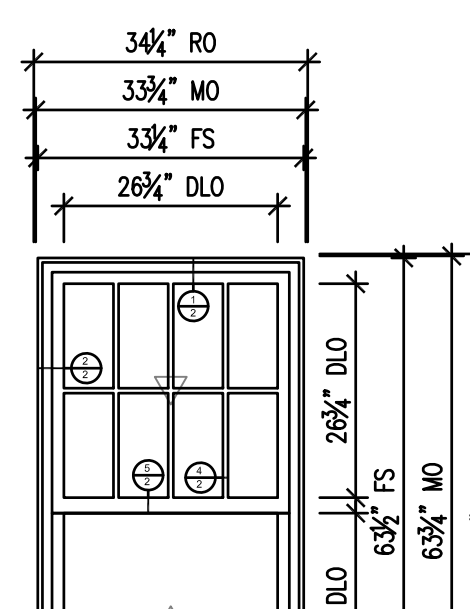
8 KITCHEN 8 / 107 FF
1/2" = 1'-0"



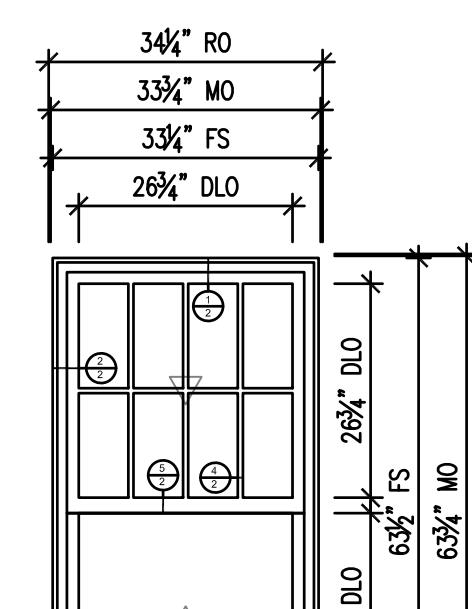
7 STUDY 16 / 101 FF
1/2" = 1'-0"



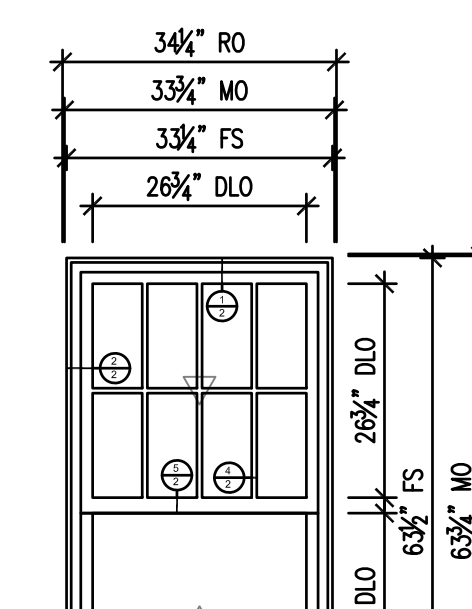
6 STUDY 16 / 101 FF
1/2" = 1'-0"



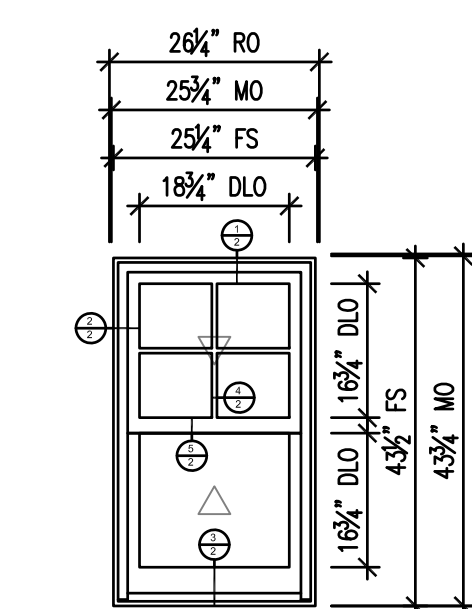
5 LIVING 15 / 102 FF
1/2" = 1'-0"



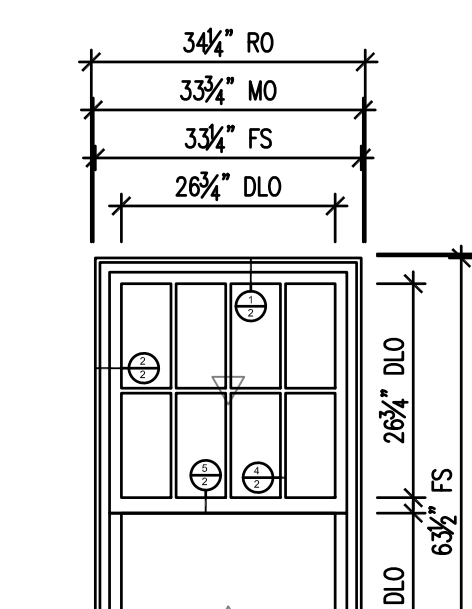
4 ROOM 12 / 105 FF
1/2" = 1'-0"



3 DINING 11 / 106 FF
1/2" = 1'-0"



2 BATH 10 / 108 FF
1/2" = 1'-0"



1 KITCHEN 8 / 107 FF
1/2" = 1'-0"

Revisions

NO.	ISSUE	DATE
01	ISSUED FOR BID	04.02.21
NO.	ISSUE	DATE

Sheet Information

Date	04.02.2021
Job Number	146.03.001
Scale	AS NOTED
Drawn	-
Checked	-

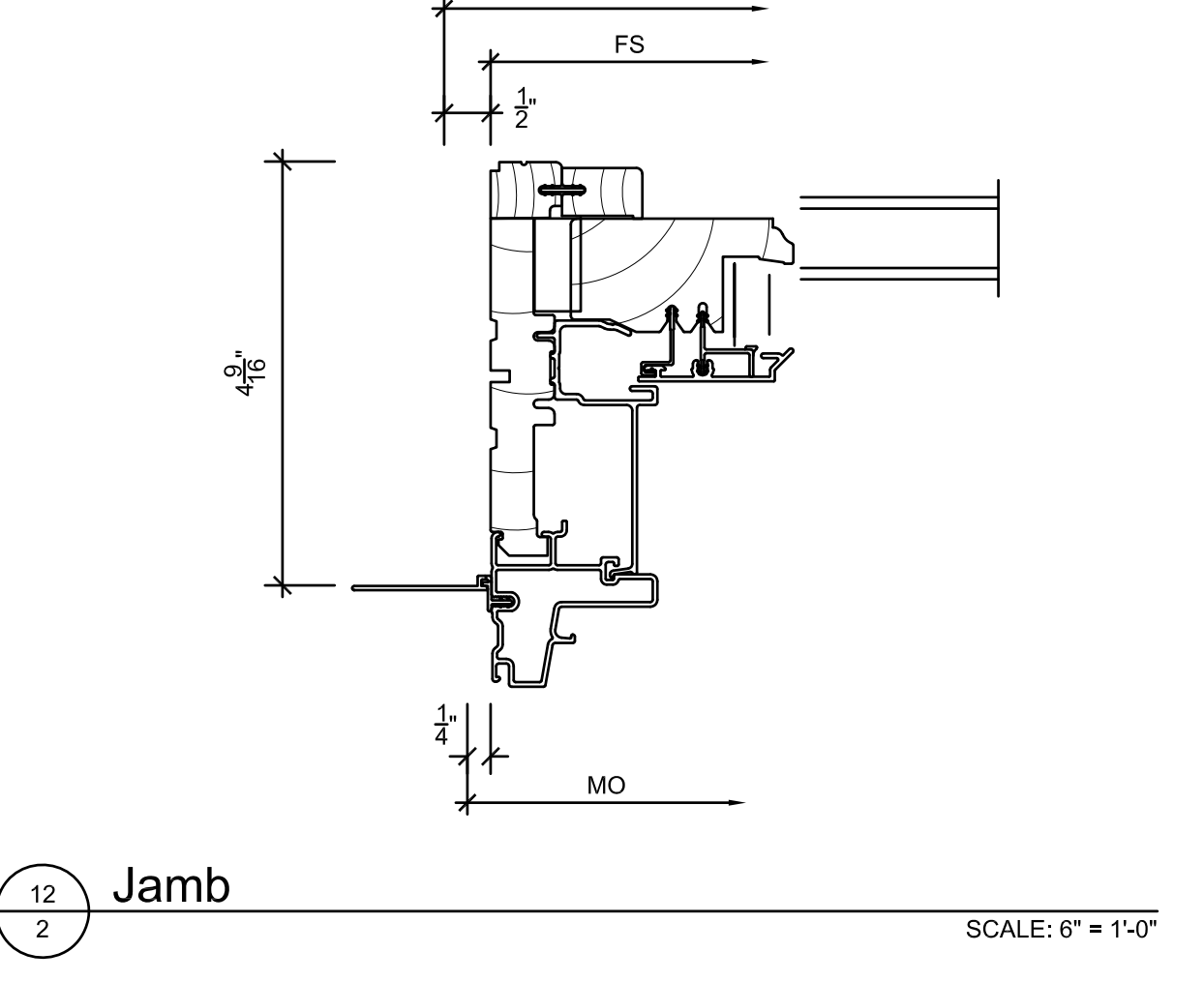
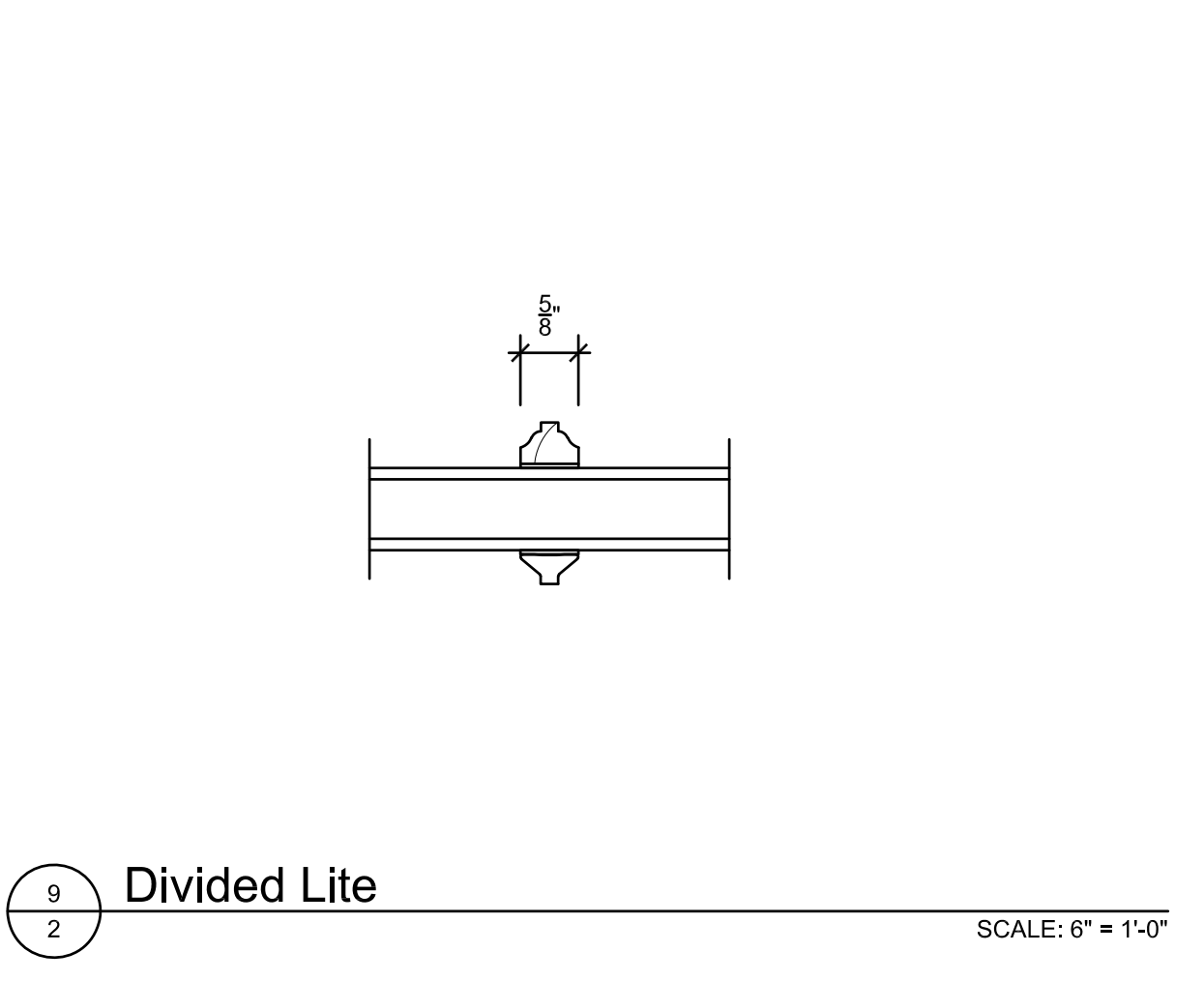
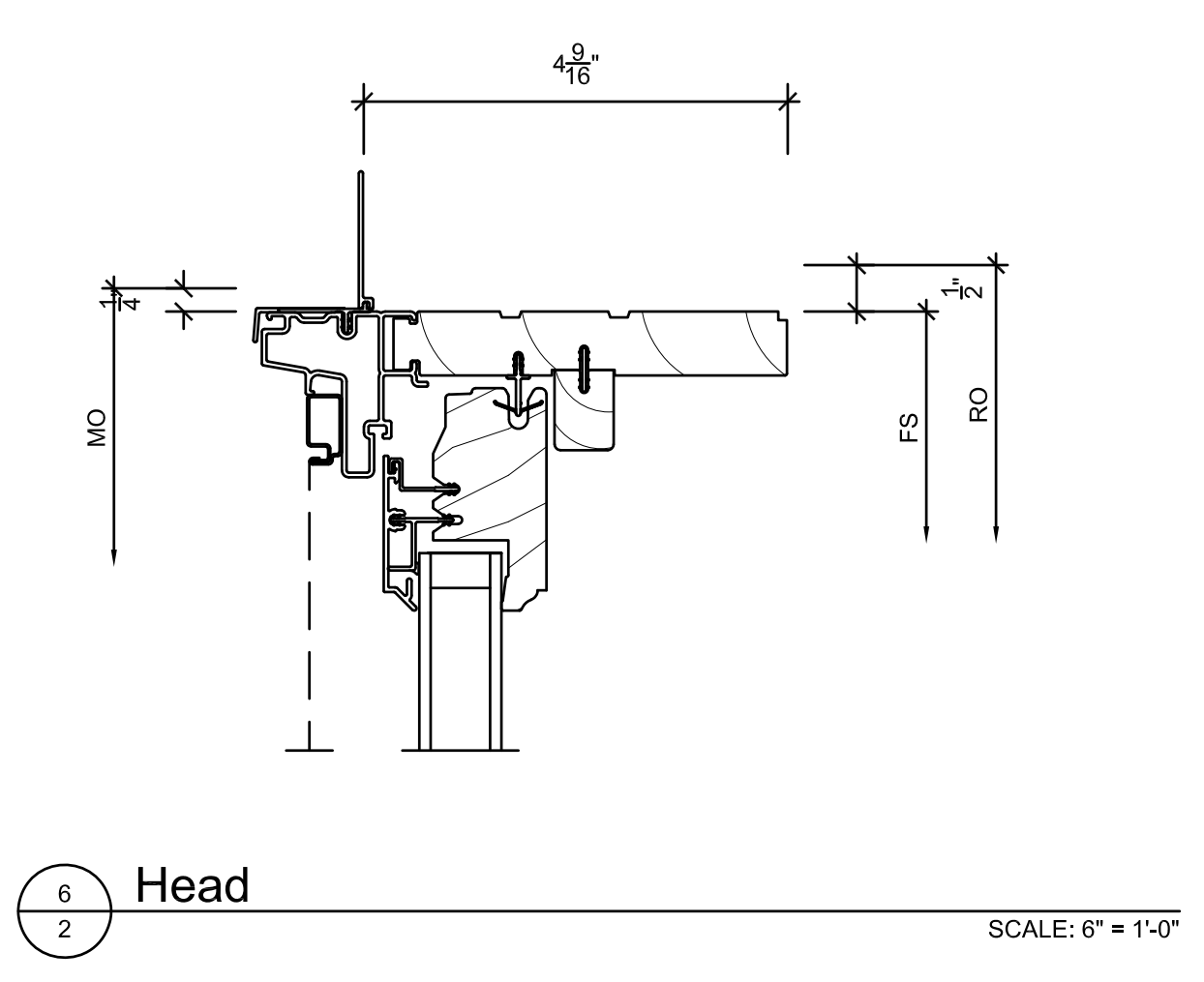
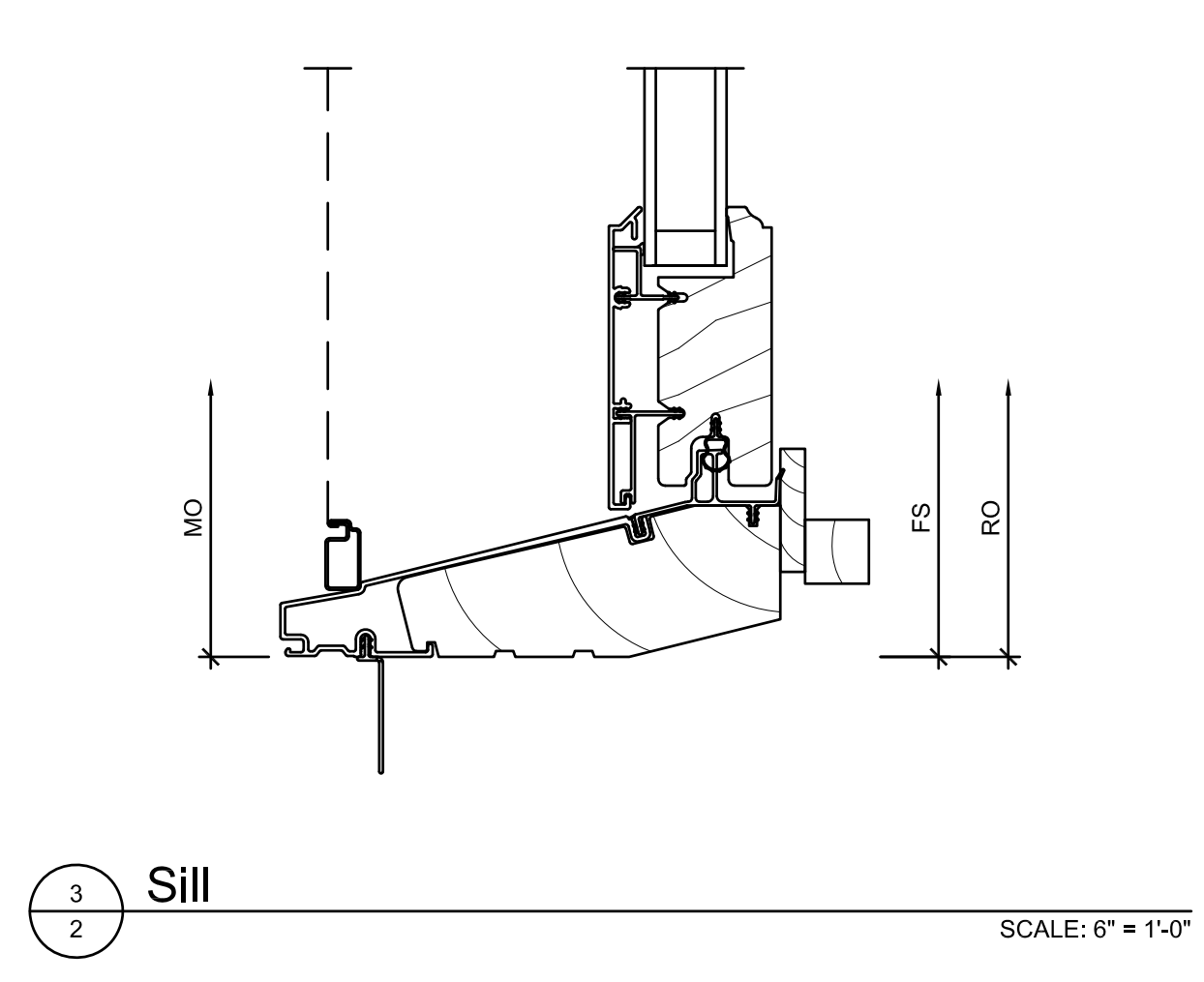
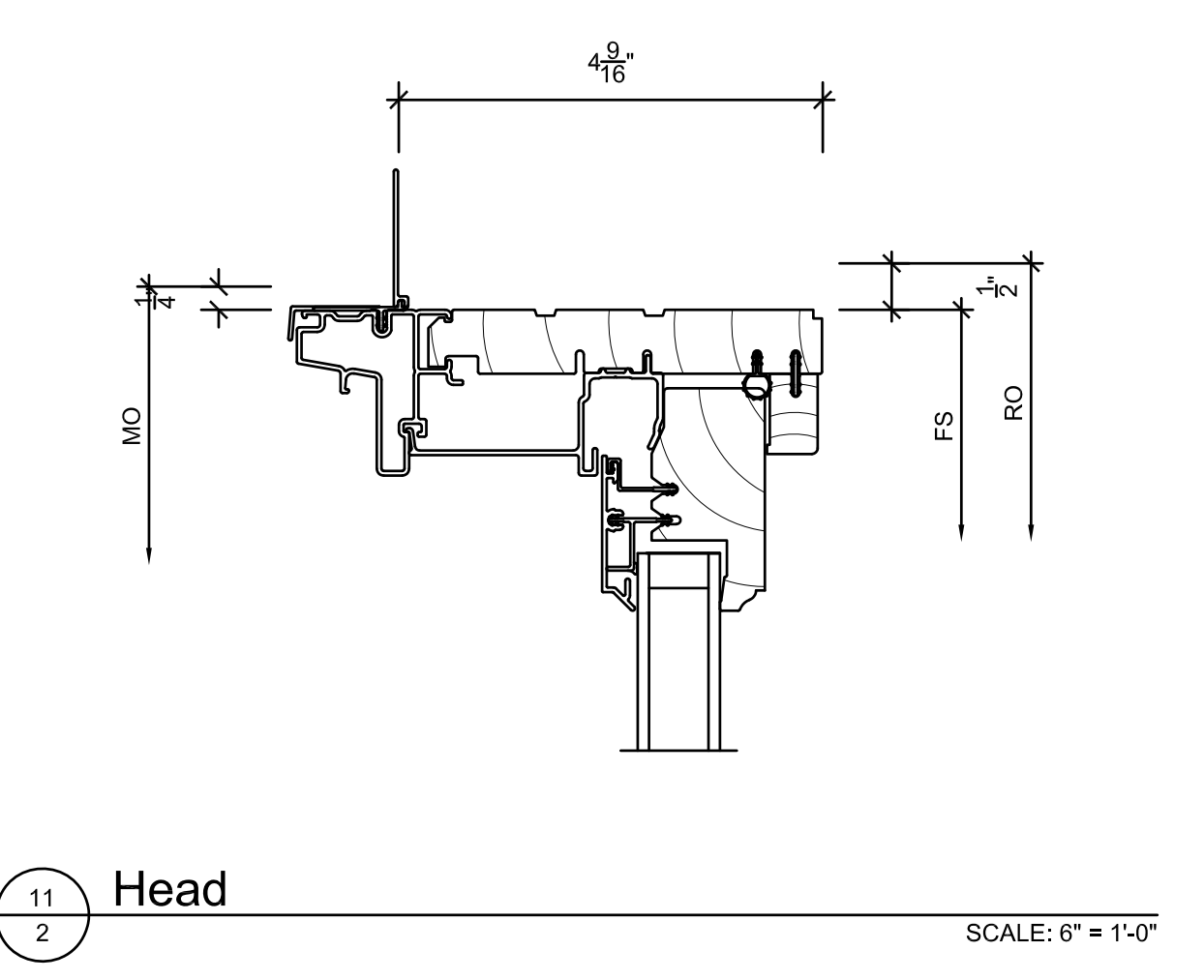
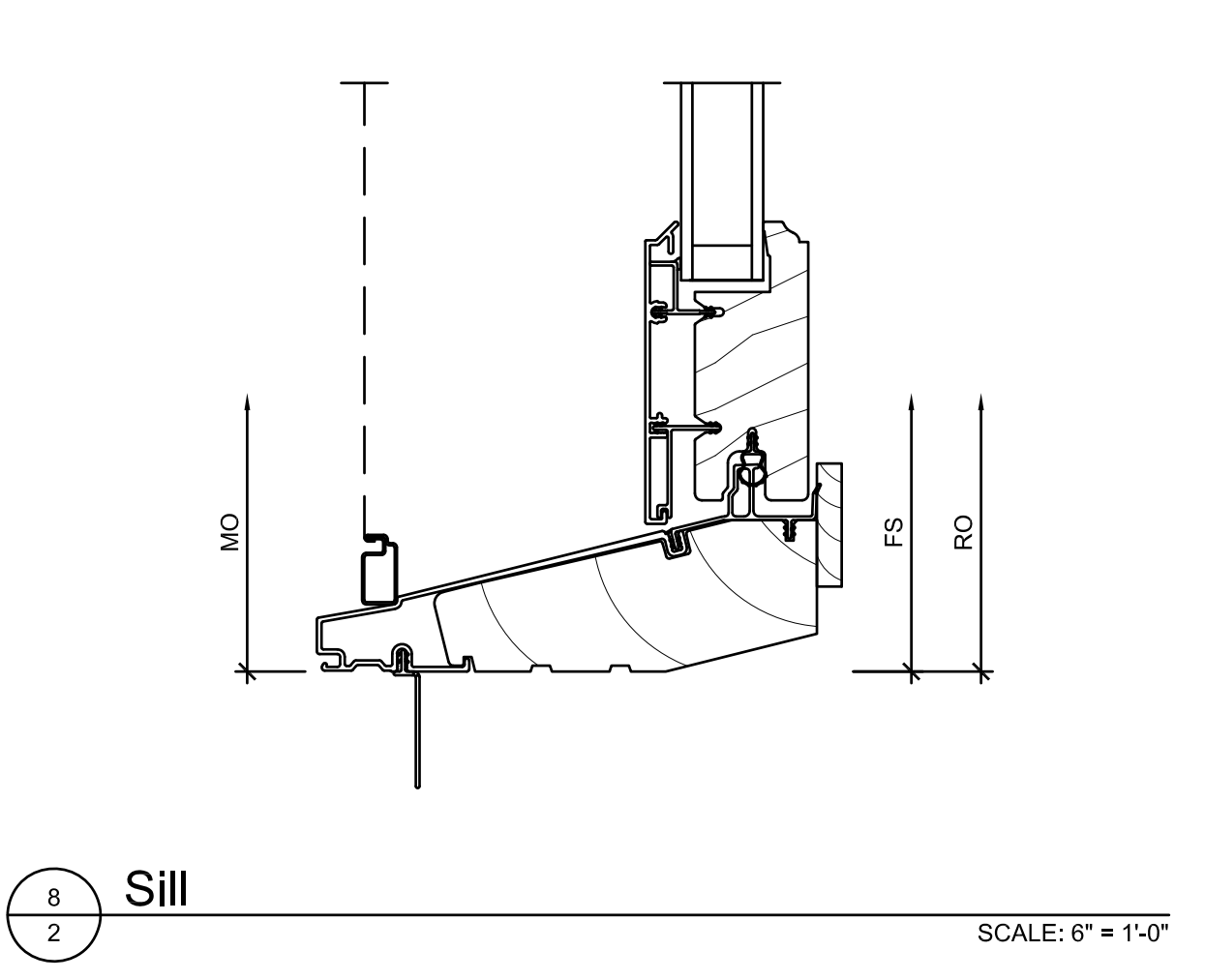
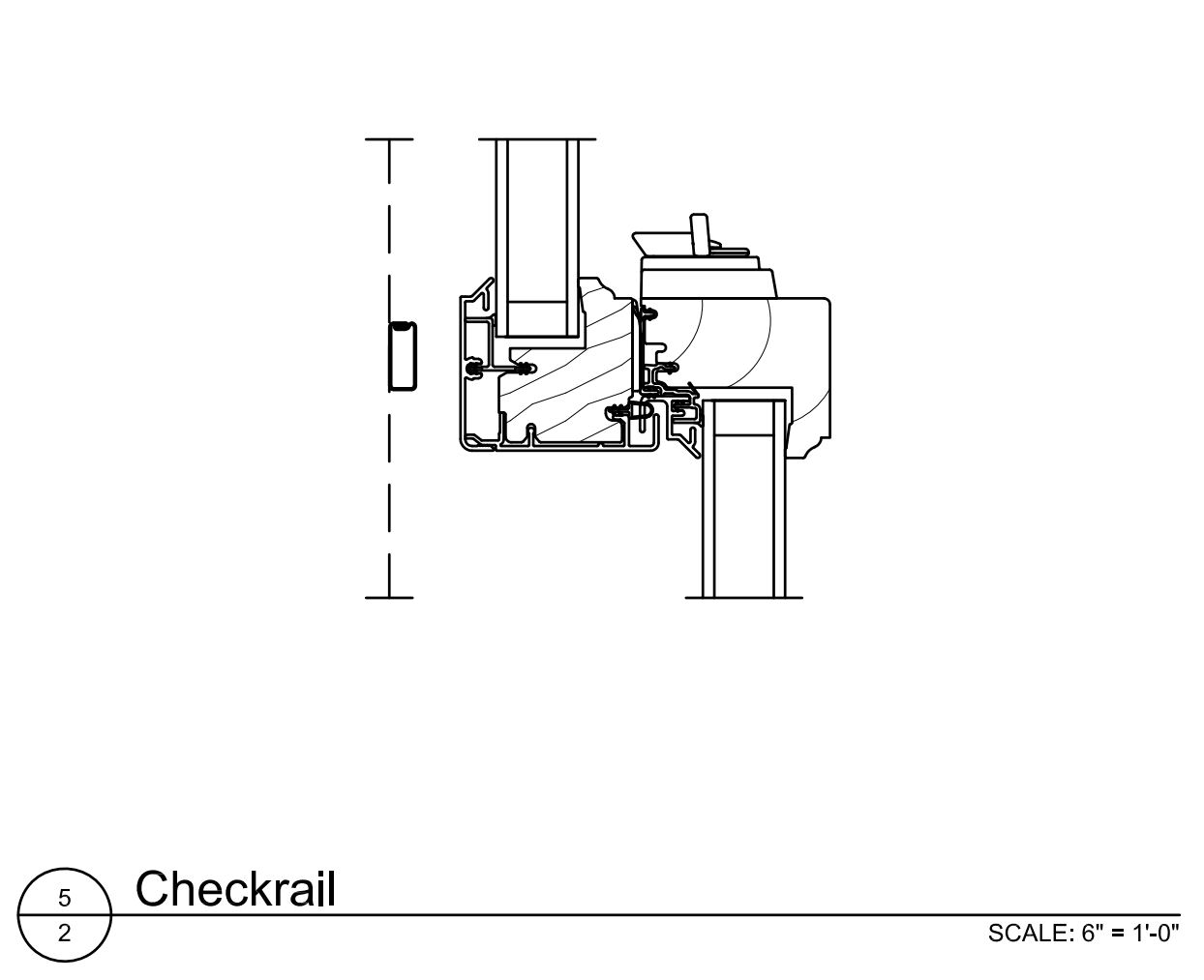
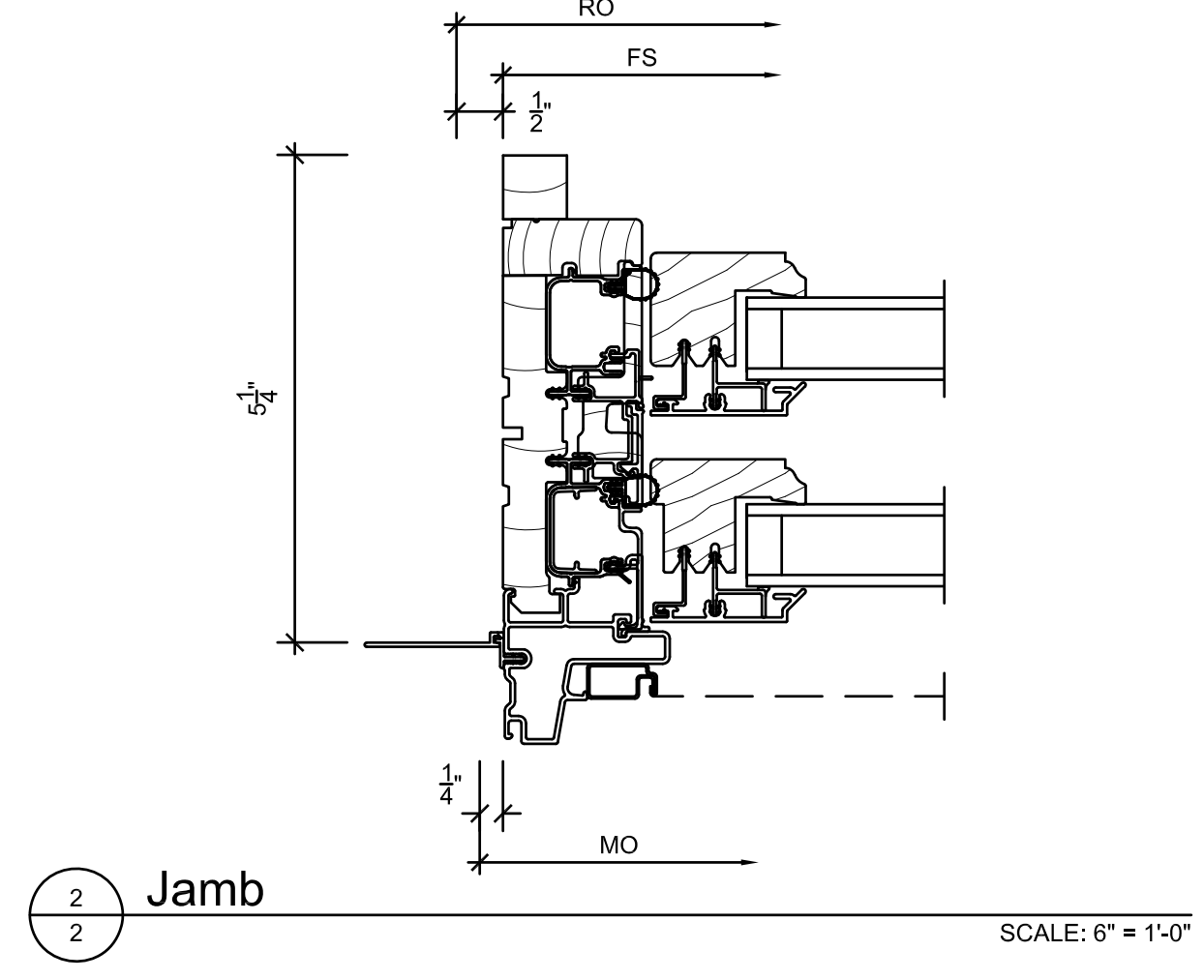
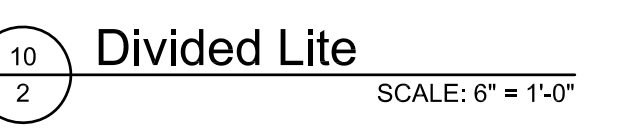
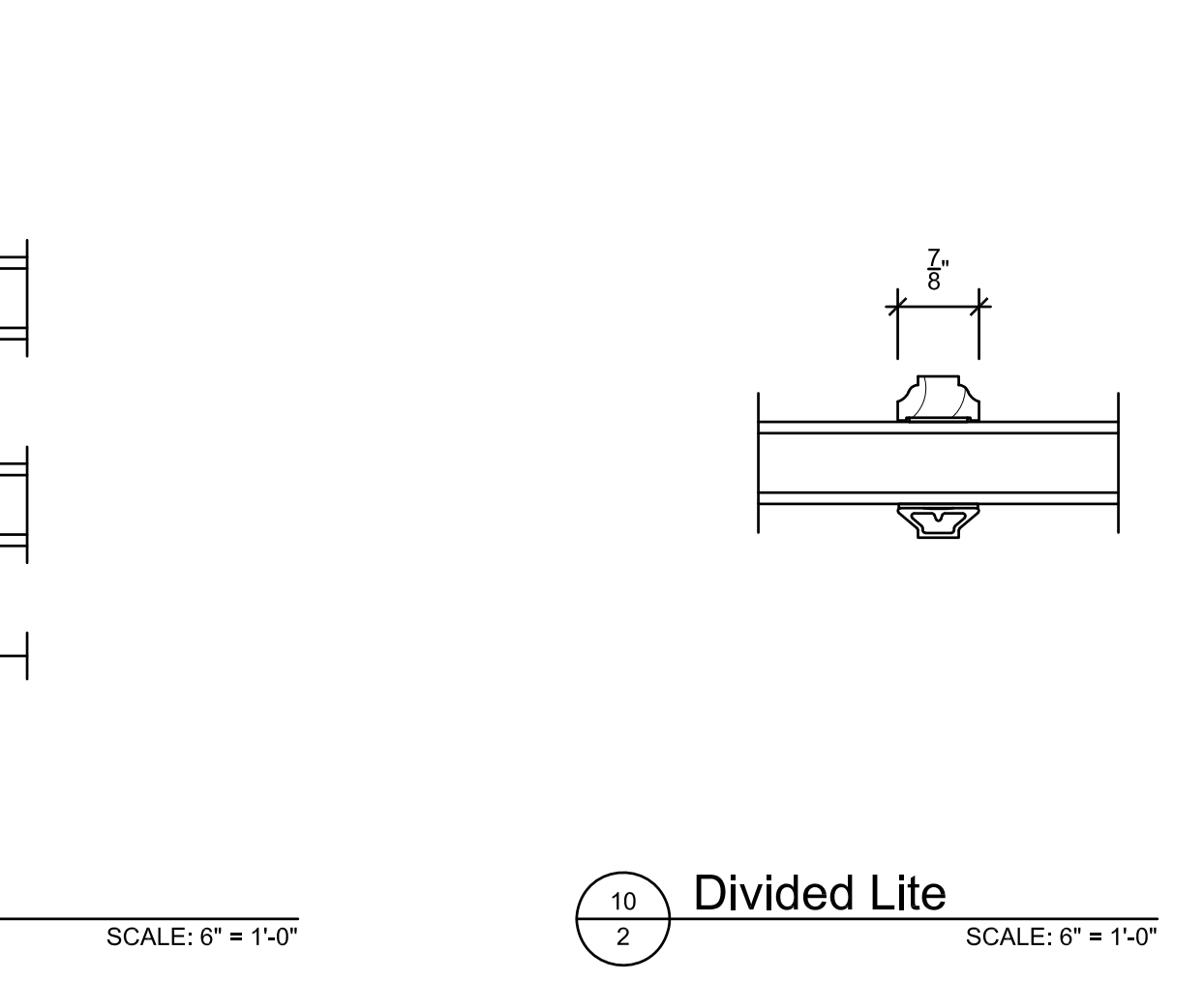
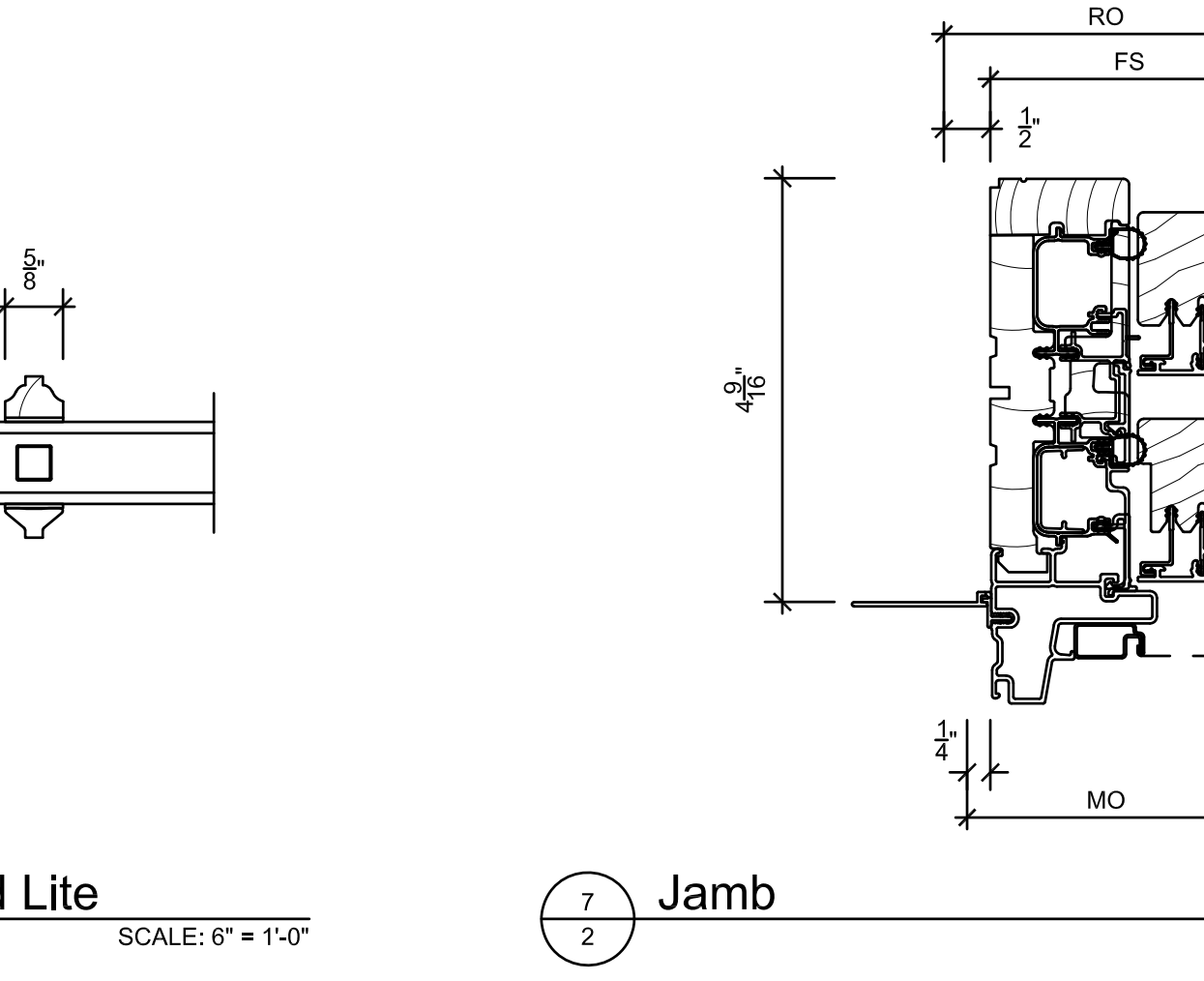
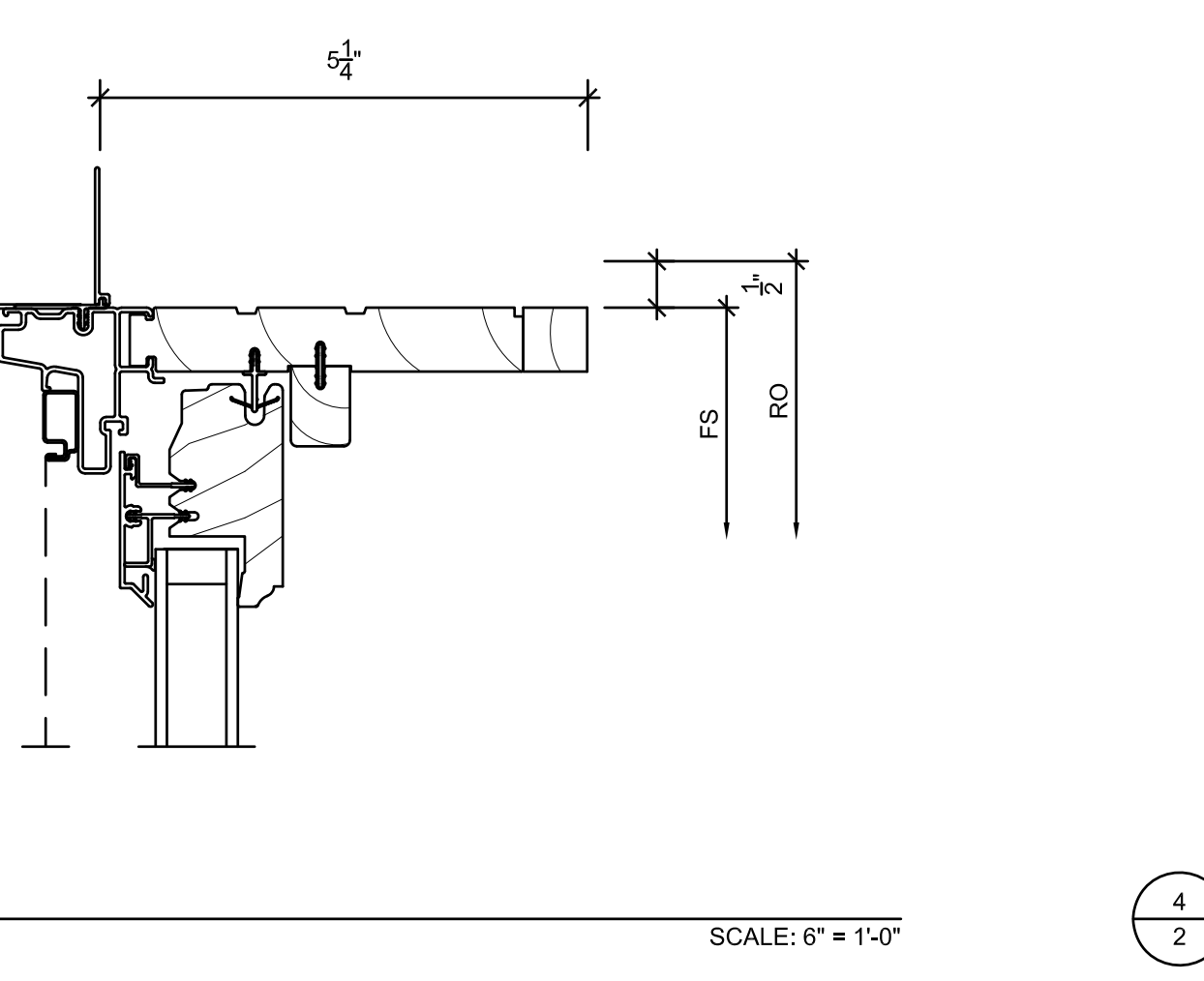
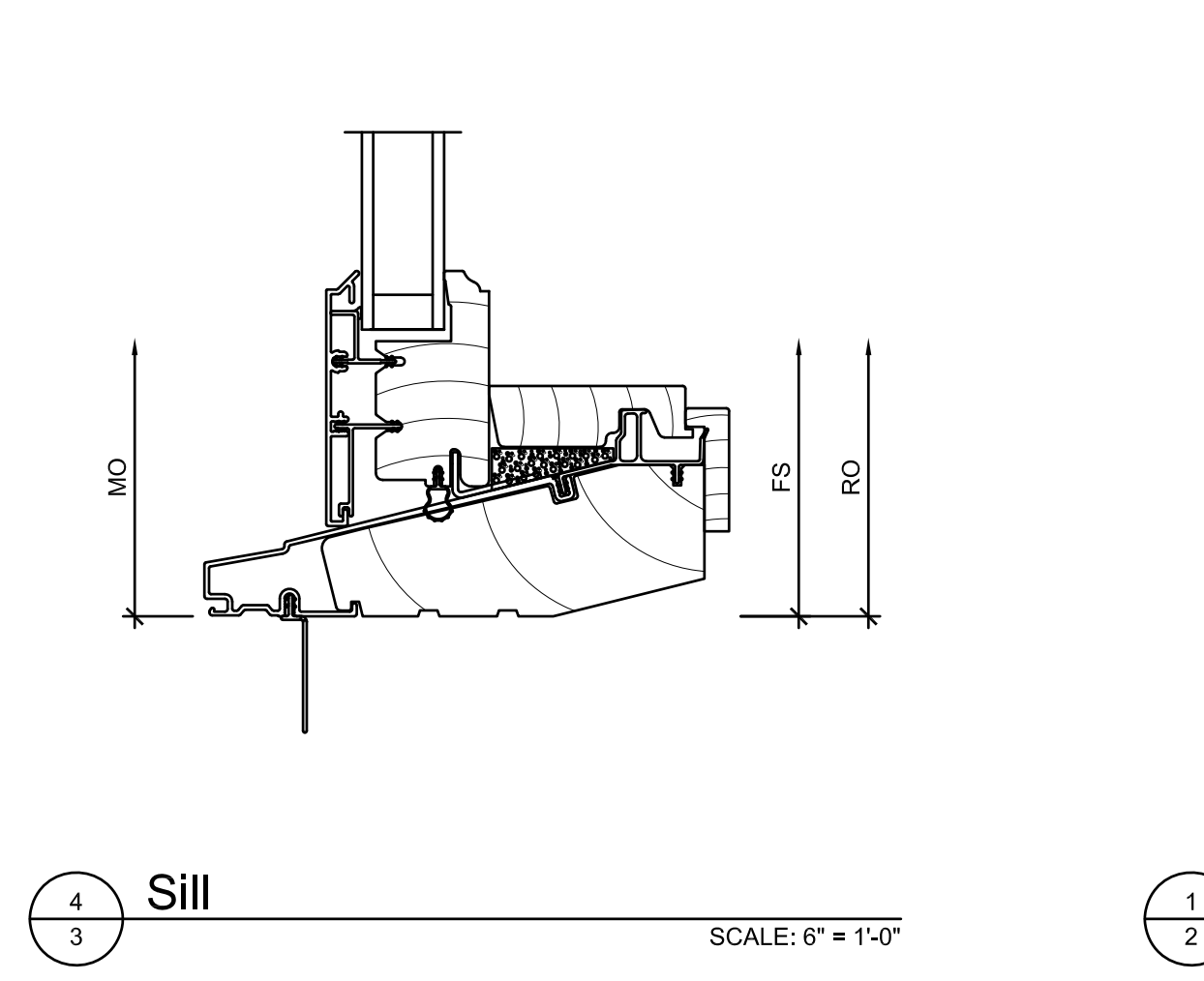
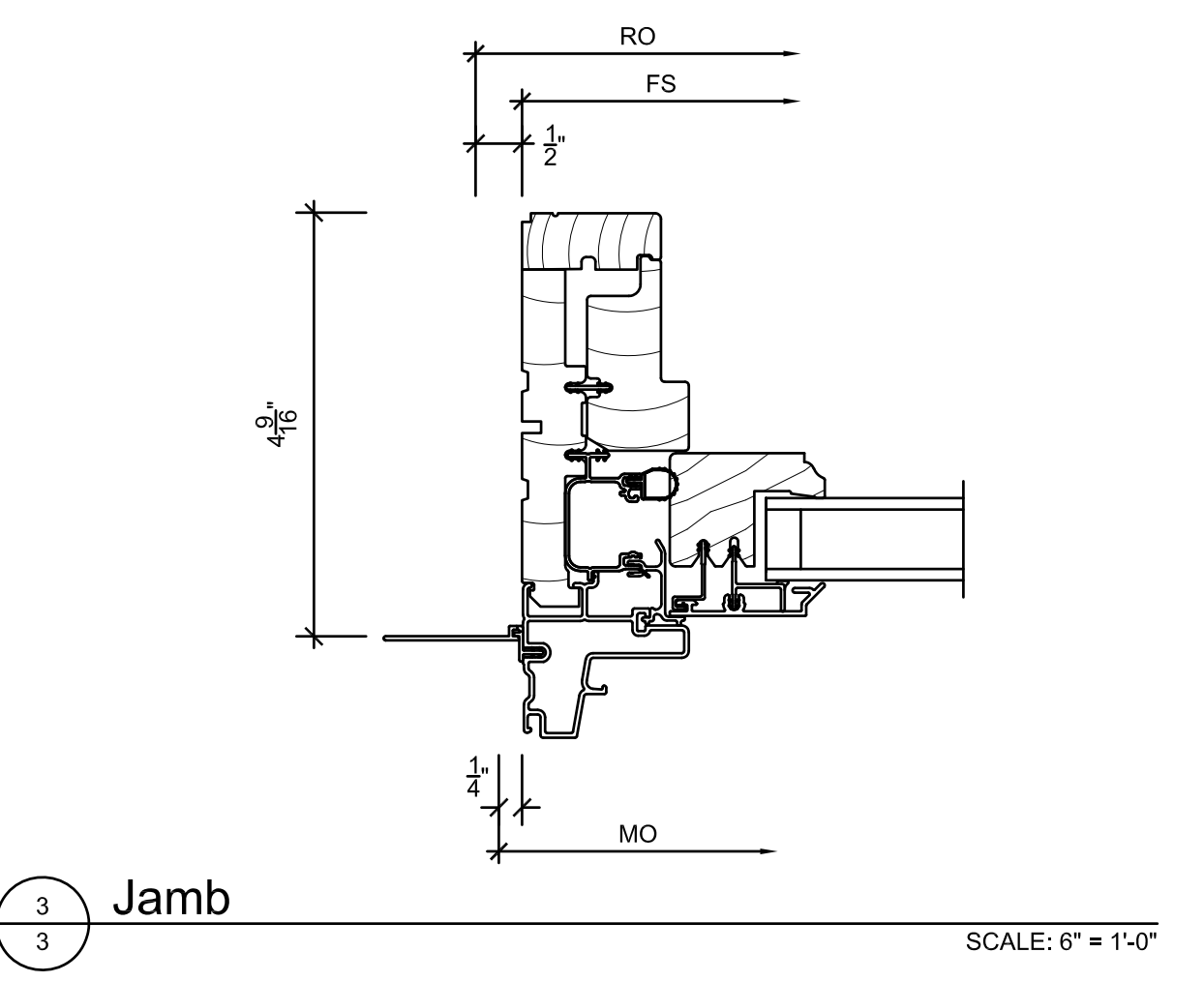
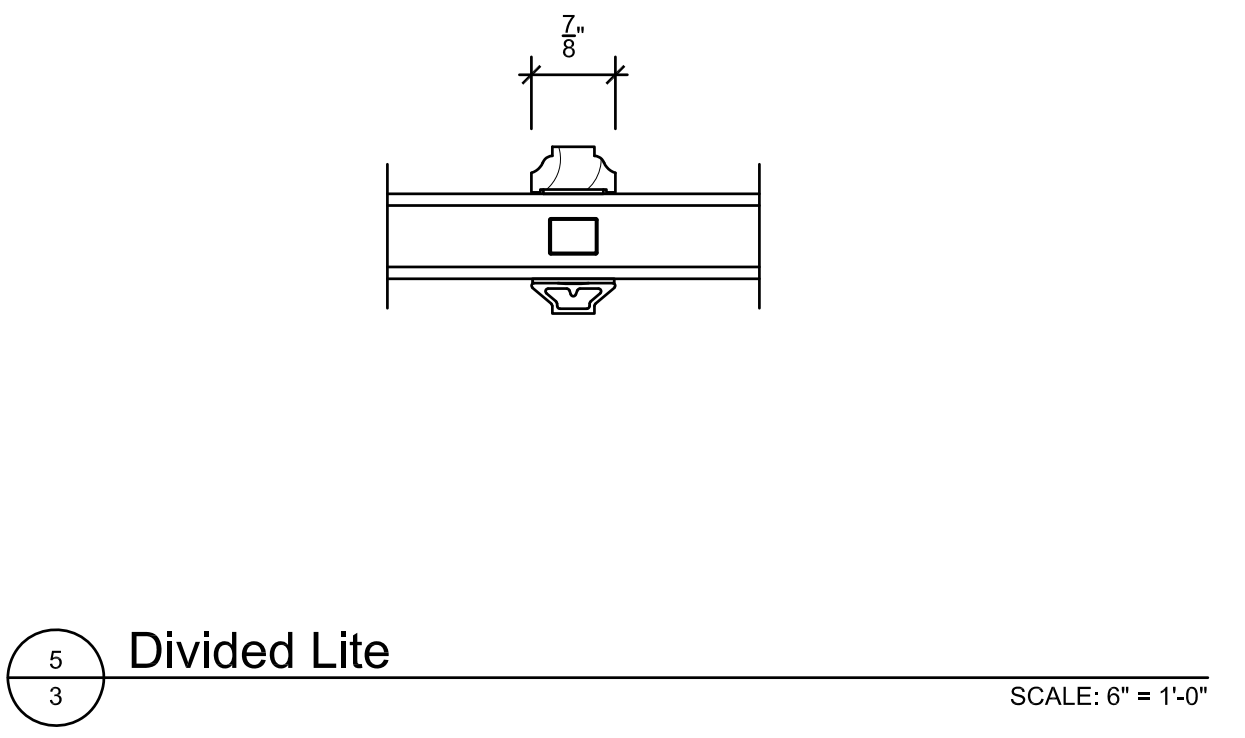
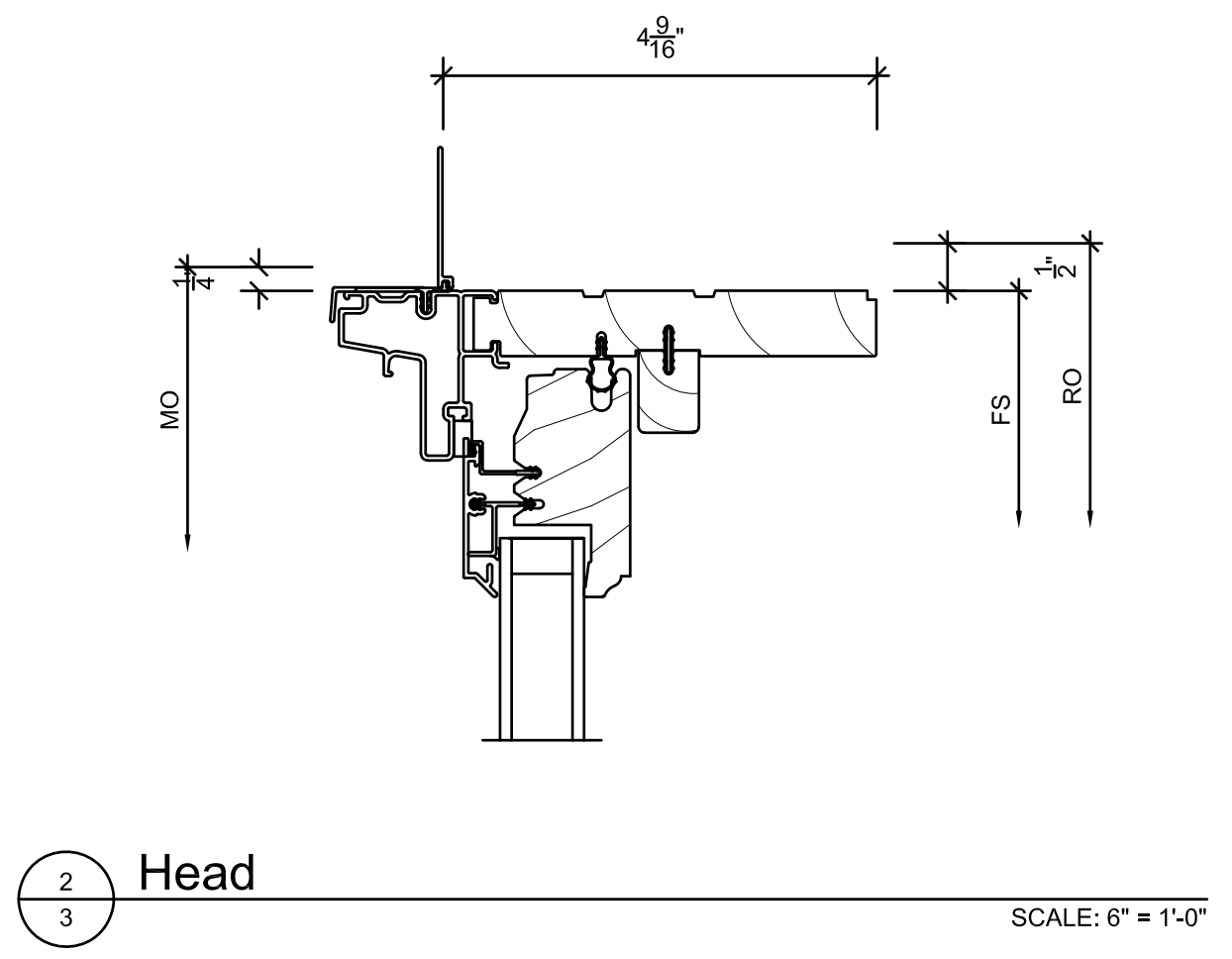
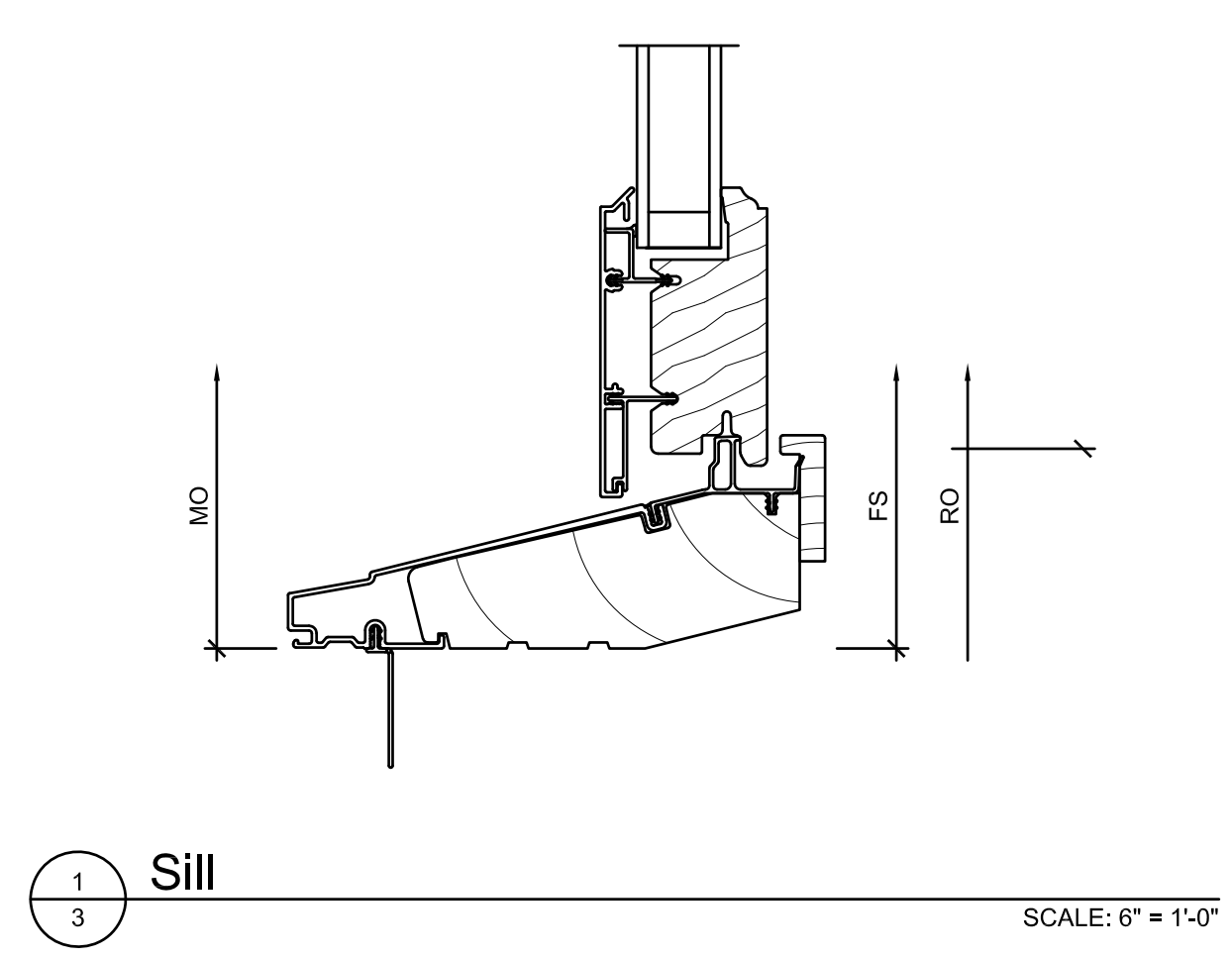
Title

WINDOW ELEVATIONS AND SCHEDULE

Sheet

A-301

Apr 02, 2021 - 4:21pm P:\Glastonbury (Town)\146.03.001 Glastonbury - Window Replacement 2157 Main Street\DESIGN\AUTOCAD\A-301_windows_146.03.001.dwg jstebach



Revisions		
NO.	ISSUE	DATE

01	ISSUED FOR BID	04.02.21
NO.	ISSUE	DATE

Sheet Information	
Date	04.02.2021
Job Number	146.03.001
Scale	6" = 1'-0"
Drawn	-
Checked	-

Title
WINDOW DETAILS

Sheet
A-302

Apr 02, 2021 - 4:23pm
 P:\Glastonbury (Town)\146.03.001 Glastonbury - Window Replacement 2157 Main Street\DESIGN\AUTOCAD\A-301_windows_146.03.001.dwg
 jstebach