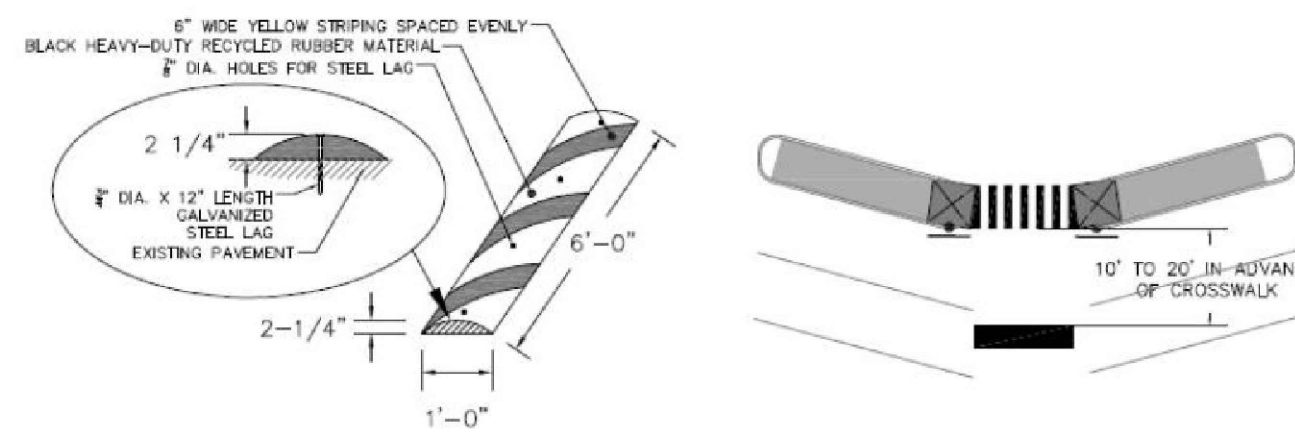
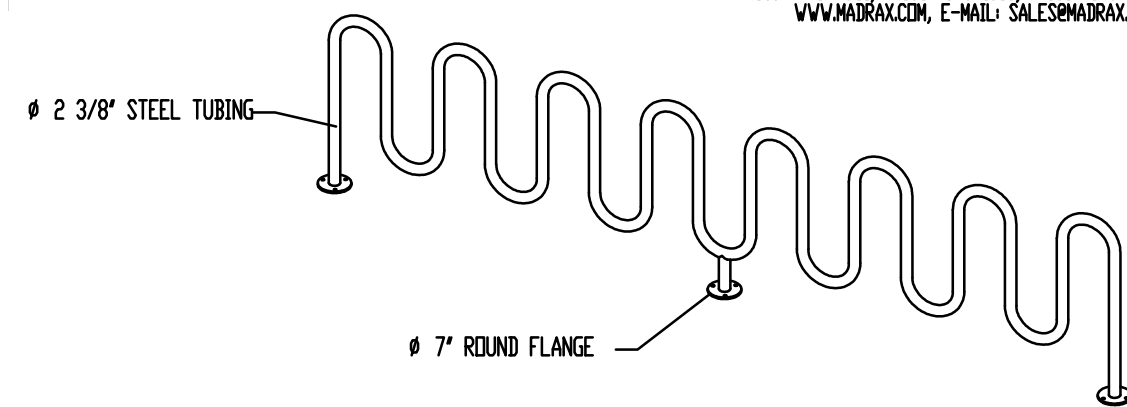




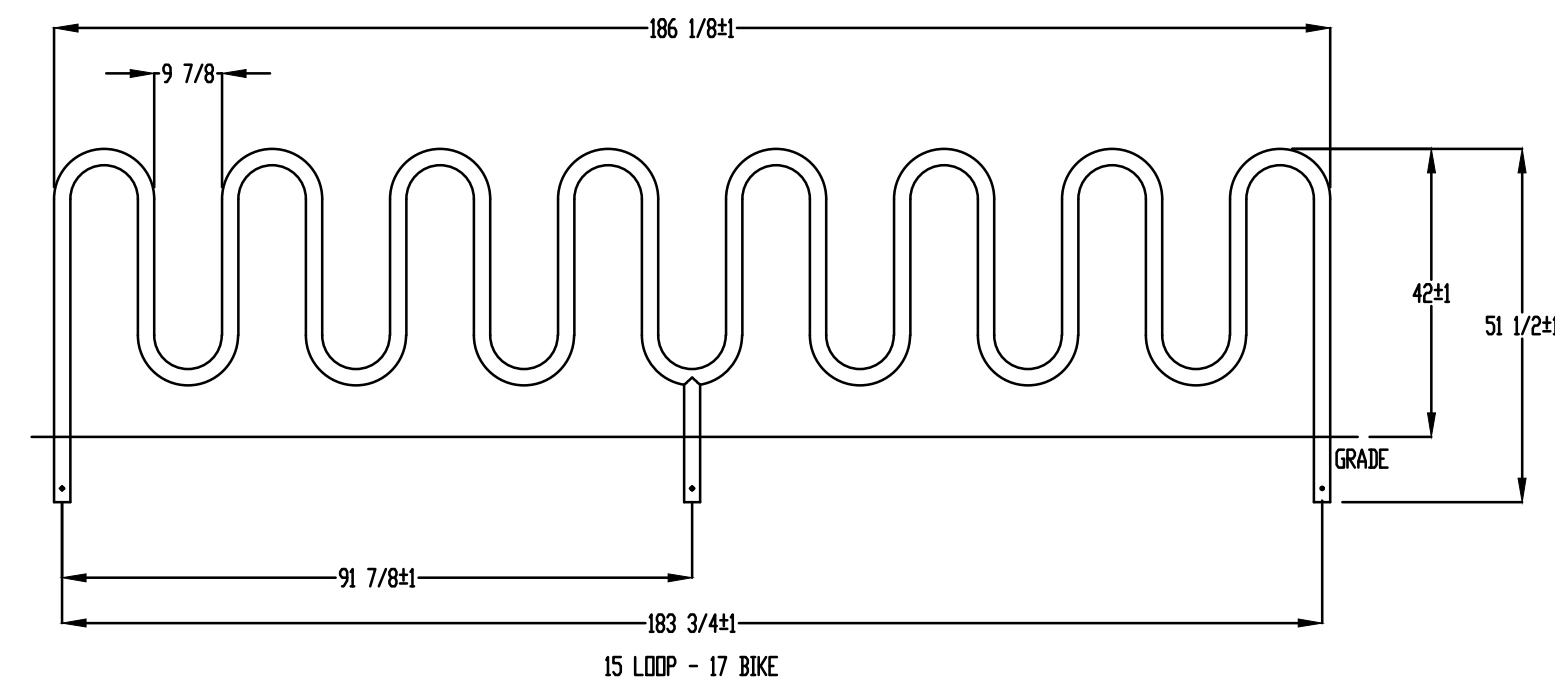
MADRAX DIVISION
 GRABER MANUFACTURING, INC.
 1880 LINDEN BLVD
 WILMINGTON, VT 05397
 PH: 800-448-7931, 860-849-3188, 860-849-3189
 WWW.MADRAX.COM, E-MAIL: SALES@MADRAX.COM



HEAVY DUTY RUBBER SPEED BUMP DETAIL
 N.T.S.

TYPICAL SPEED BUMP LOCATION DETAIL
 N.T.S.

LAG BOLT METHOD (ASPHALT OR CONCRETE ONLY)
 Tools needed:
 A. High speed hammer drill with a 1/2\"/>



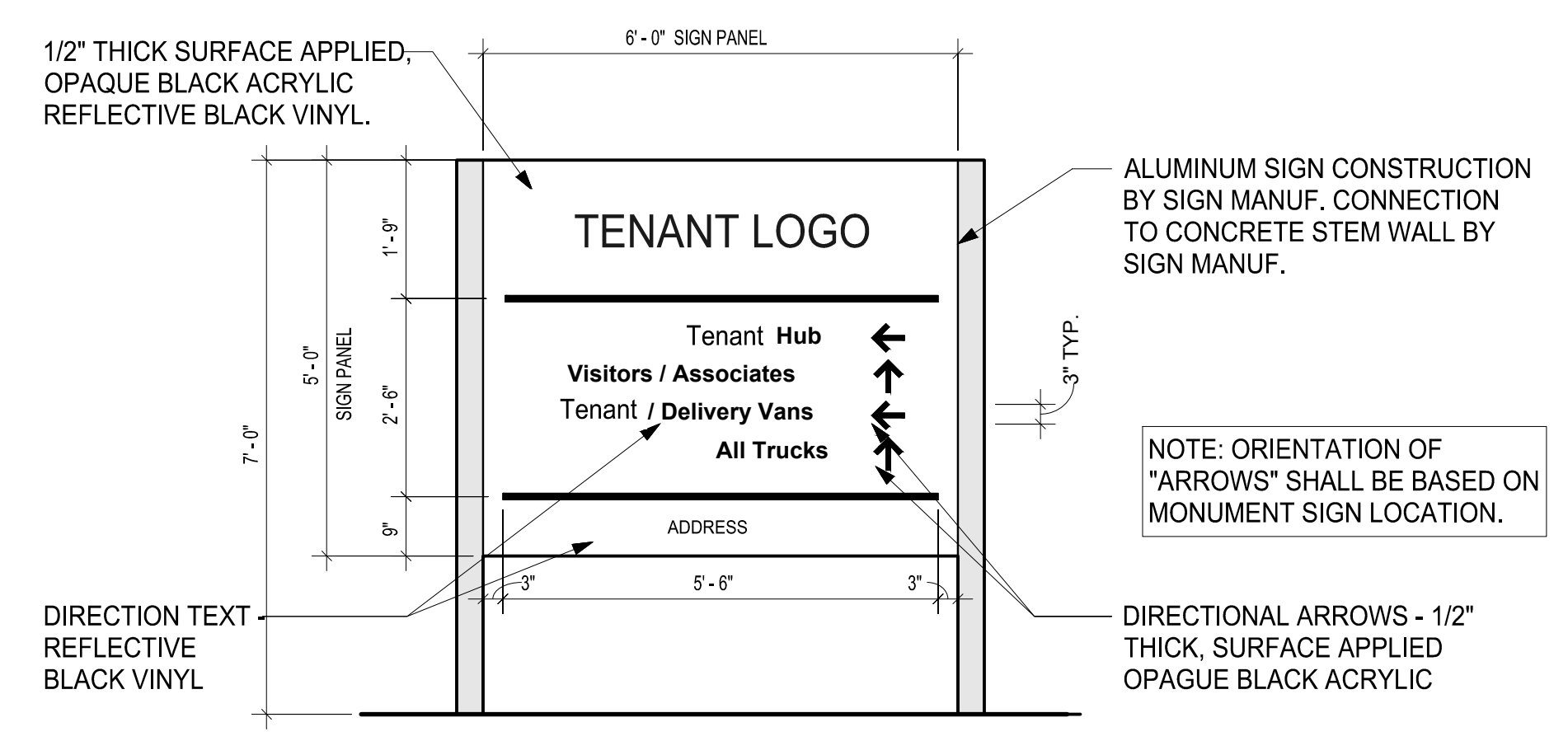
PRODUCT: HV238-17-16(SF)
 DESCRIPTION: HEAVY DUTY WINDER BIKE RACK
 17 BIKE, SURFACE OR IN GROUND MOUNT
 DATE: 10-16-18
 ENG: SMC

CONFIDENTIAL DRAWING AND INFORMATION IS NOT TO BE COPIED OR DISCLOSED TO OTHERS WITHOUT THE CONSENT OF GRABER MANUFACTURING, INC. SPECIFICATIONS ARE SUBJECT TO CHANGE WITHOUT NOTICE.

©2018 GRABER MANUFACTURING, INC. ALL PROPRIETARY RIGHTS RESERVED.

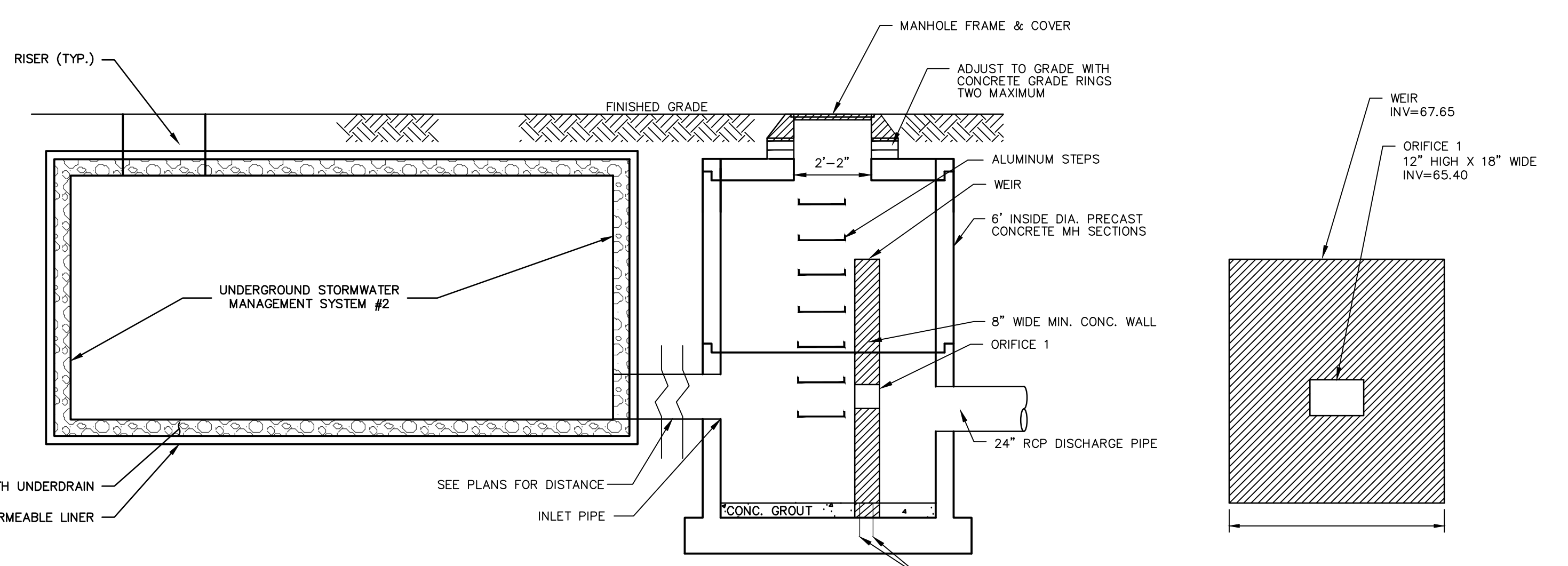
NOTES:
 1. INSTALL BIKE RACKS ACCORDING TO MANUFACTURER'S SPECIFICATIONS.
 2. CONSULTANT TO SELECT COLOR (SUNBLENDED) SEE MANUFACTURER'S SPECIFICATIONS.
 3. SEE SITE PLAN FOR LOCATION OR CONSULT OWNER.

35
 DN-6
 3/8\"/>



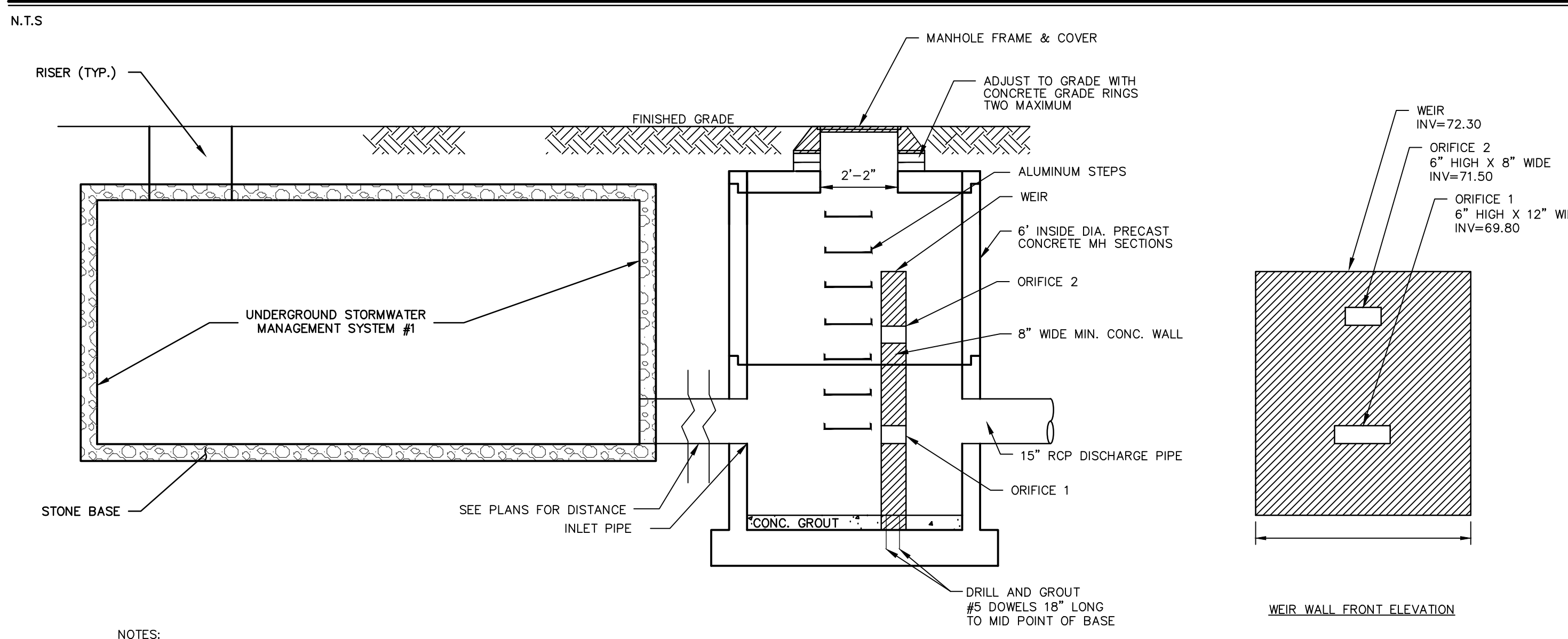
TYPICAL ENTRY SIGN DESIGN
 (SUBJECT TO CHANGE BASED ON LOCAL REGULATIONS AND SITE CONDITIONS.)
 DIRECTIONAL ARROWS CHANGE BASED ON LOCATIONS OF SIGN

29
 DN-5
 7 FOOT PYLON OPTION
 1/2\"/>



UNDERGROUND DETENTION OUTLET CONTROL STRUCTURE 2 (OCS-221)

NOTES:
 1. SEE PLANS FOR UNDERGROUND DETENTION SYSTEM DETAILS. ALL UNITS TO BE INSTALLED TO THE MANUFACTURER'S SPECIFICATIONS.
 2. UNDERGROUND DETENTION SYSTEM, MANHOLE FRAMES AND COVERS TO BE HS20 QUALIFIED.
 3. UNDERDRAIN AND UNDERDRAIN CONNECTION TO OCS NOT SHOWN FOR VISUAL CLARITY



UNDERGROUND DETENTION OUTLET CONTROL STRUCTURE 1 (OCS-102)

NOTES:
 1. SEE PLANS FOR UNDERGROUND DETENTION SYSTEM DETAILS. ALL UNITS TO BE INSTALLED TO THE MANUFACTURER'S SPECIFICATIONS.
 2. UNDERGROUND DETENTION SYSTEM, MANHOLE FRAMES AND COVERS TO BE HS20 QUALIFIED.

I HEREBY DECLARE TO THE BEST OF MY KNOWLEDGE AND BELIEF THAT THIS PLAN IS SUBSTANTIALLY CORRECT.
 Matthew J. Brufon
 MATTHEW J. BRUFON CT PE # 33356

MOTOR FREIGHT TRANSPORTATION TERMINAL OR GARAGE / WINSTANLEY ENTERPRISES LLC PE (PLANNED EMPLOYMENT) ZONE

PROJECT/APPLICANT

107 EASTERN BOULEVARD, GLASTONBURY, CT

SPECIAL PERMIT SECTION TPZ CHAIRMAN

DATE SPECIAL PERMIT APP'D DIRECTOR OF COMMUNITY DEVELOPMENT

FILE NO.

**FOR PERMITTING PURPOSES ONLY
 NOT RELEASED FOR CONSTRUCTION**



100 Constitution Plaza, 10th Floor
 Hartford, CT 06103
 (860) 249-2200
 (860) 249-2400 Fax

PROPOSED DEVELOPMENT
 107 EASTERN BOULEVARD
 TOWN OF GLASTONBURY, CT

REVISIONS

No.	Date	Desc.
1.	12/14/2020	REVISED PER TOWN COMMENTS
2.	01/20/2021	REVISED PER TOWN COMMENTS

Designed S.E.L.
 Drawn S.E.L.
 Reviewed AS NOTED
 Scale 2000/649
 Project No. 2000669
 Date 09/30/2020
 CAD File: 200066901

DETAIL SHEET

Sheet No.

DN-5

20/02/2021 ELECTRIC (UN)COMPANIES.COM\DESIGN\PROJECTS\2000669\DWG\200066901.DWG:DN-5

Sheet No.: 200066901