

GREENSKIES RENEWABLE ENERGY, LLC

"GLASTONBURY PD CARPORT"

**2108 MAIN STREET
GLASTONBURY, CT 06033**

LIST OF DRAWINGS

T-1 TITLE SHEET & INDEX

OP-1 ABUTTERS MAP

SP-1 SITE PLAN

SP-2 DETAILED SITE PLAN (PROPOSED PARKING)

SP-3 DETAILED SITE PLAN (EXISTING PARKING)

DN-1 SITE DETAILS

DN-2 SITE NOTES

SITE INFORMATION

SITE NAME: "GLASTONBURY PD CARPORT"
LOCATION: 2108 MAIN STREET
GLASTONBURY, CT 06033

SITE TYPE/DESCRIPTION: ADD (1) CARPORT SOLAR PANEL ARRAYS W/
ASSOCIATED EQUIPMENT.

PROPERTY OWNER: TOWN OF GLASTONBURY
POLICE STATION/HIGHLAND SCHOOL
GLASTONBURY, CT 06033

DEVELOPER: GREENSKIES RENEWABLE ENERGY, LLC
127 WASHINGTON AVENUE
WEST BUILDING, GARDEN LEVEL
NEW HAVEN, CT, 06473

ELECTRICAL ENGINEER: SG ENGINEERING
56 FOXCROFT COURT
SOUTHINGTON, CT 06489

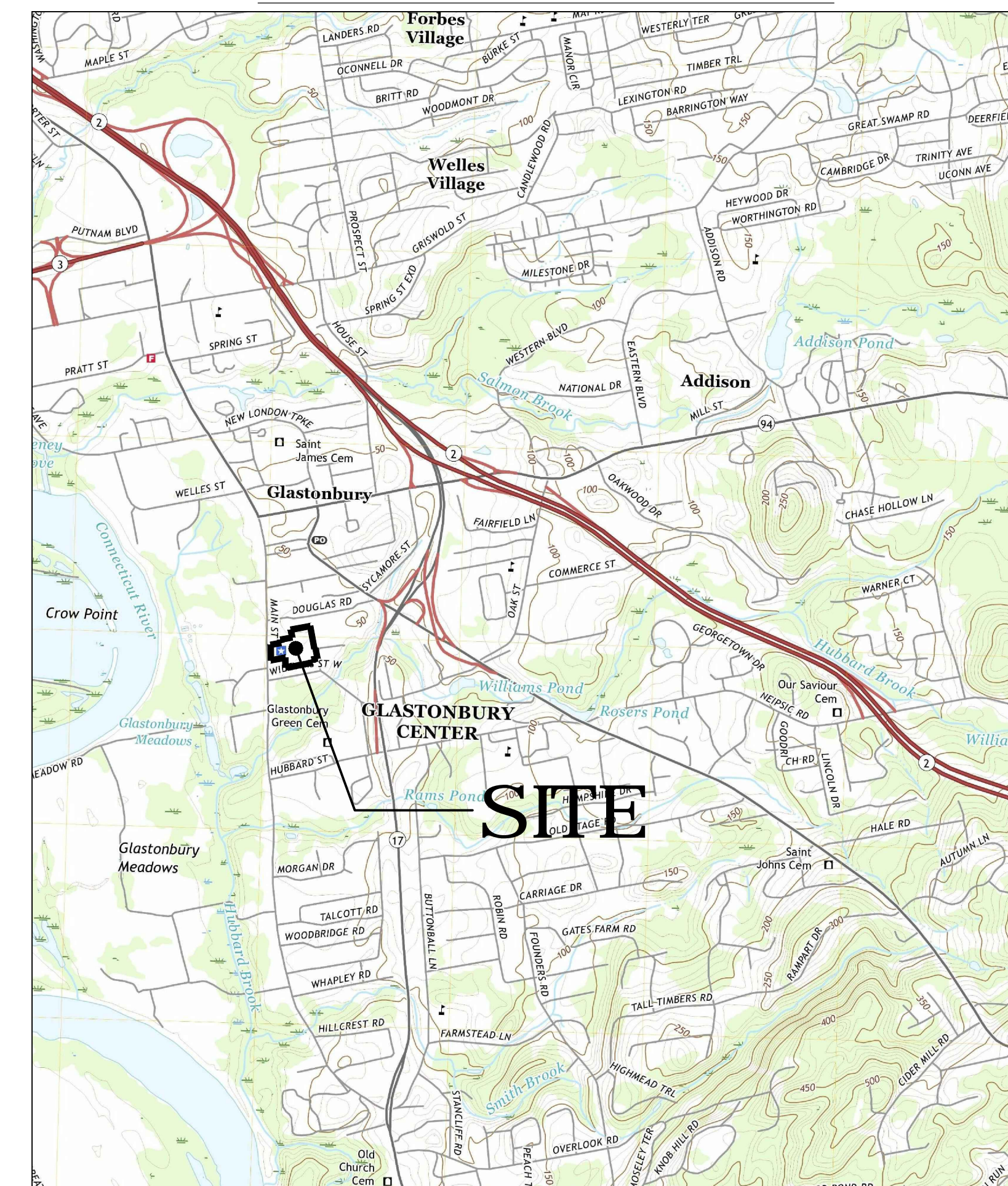
CIVIL ENGINEER CONTACT: BRADLEY J. PARSONS, P.E.
(860) 663-1697 x208

LATITUDE: 41°42'20.79" N
LONGITUDE: 72°36'22.38" W
ELEVATION: 31± AMSL

MAP/STREET/LOT: D6/4140/E0064
ZONE: RL (RESERVED LAND)
EXISTING LAND USE: EXISTING GLASTONBURY POLICE STATION
PROPOSED LAND USE: - LARGE SCALE CARPORT SOLAR
PHOTOVOLTAIC INSTALLATION

TOTAL SITE ACERAGE: 12.60± AC.

USGS TOPOGRAPHIC MAP



SCALE: 1" = 2000± SOURCE: USGS 7.5 GLASTONBURY QUADRANGLE, CT 2018



127 WASHINGTON AVE.
WEST BUILDING, GARDEN LEVEL
NORTH HAVEN, CT 06473



567 VAUXHAUL STREET EXTENSION - SUITE 311
WATERFORD, CT 06385 PHONE: (860)-663-1697
WWW.ALLPOINTS.TECH.COM FAX: (860)-663-0935

CSC PERMIT SET

NO	DATE	REVISION
0	07/23/20	FOR CLIENT REVIEW
1	07/31/20	FOR CLIENT REVIEW
2		
3		
4		
5		
6		

DESIGN PROFESSIONAL OF RECORD

PROF: BRADLEY J. PARSONS P.E.
COMP: ALL-POINTS TECHNOLOGY
CORPORATION
ADD: 567 VAUXHAUL STREET
EXTENSION - SUITE 311
WATERFORD, CT 06385

OWNER: TOWN OF GLASTONBURY
ADDRESS: POLICE STATION/HIGHLAND
SCHOOL
GLASTONBURY, CT 06033

GLASTONBURY PD CARPORT

SITE: 2108 MAIN STREET
ADDRESS: GLASTONBURY, CT 06033

APT FILING NUMBER: CT531170

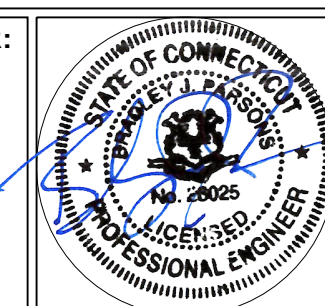
DATE: 07/23/20 DRAWN BY: CSH
CHECKED BY: BJP

SHEET TITLE:

TITLE SHEET & INDEX

SHEET NUMBER:

T-1



CSC PERMIT SET

NO	DATE	REVISION
0	07/23/20	FOR CLIENT REVIEW
1	07/31/20	FOR CLIENT REVIEW
2		
3		
4		
5		
6		

DESIGN PROFESSIONAL OF RECORD

PROF: BRADLEY J. PARSONS P.E.
COMP: ALL-POINTS TECHNOLOGY CORPORATION
ADD: 567 VAUXHAUL STREET EXTENSION - SUITE 311 WATERFORD, CT 06385

OWNER: TOWN OF GLASTONBURY
ADDRESS: POLICE STATION/HIGHLAND SCHOOL
GLASTONBURY, CT 06033

GLASTONBURY PD CARPORT

SITE 2108 MAIN STREET
ADDRESS: GLASTONBURY, CT 06033

APT FILING NUMBER: CT531170

DRAWN BY: CSH

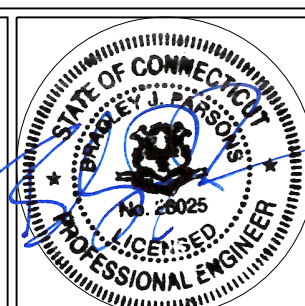
DATE: 07/23/20 CHECKED BY: BJP

SHEET TITLE:

ABUTTERS MAP

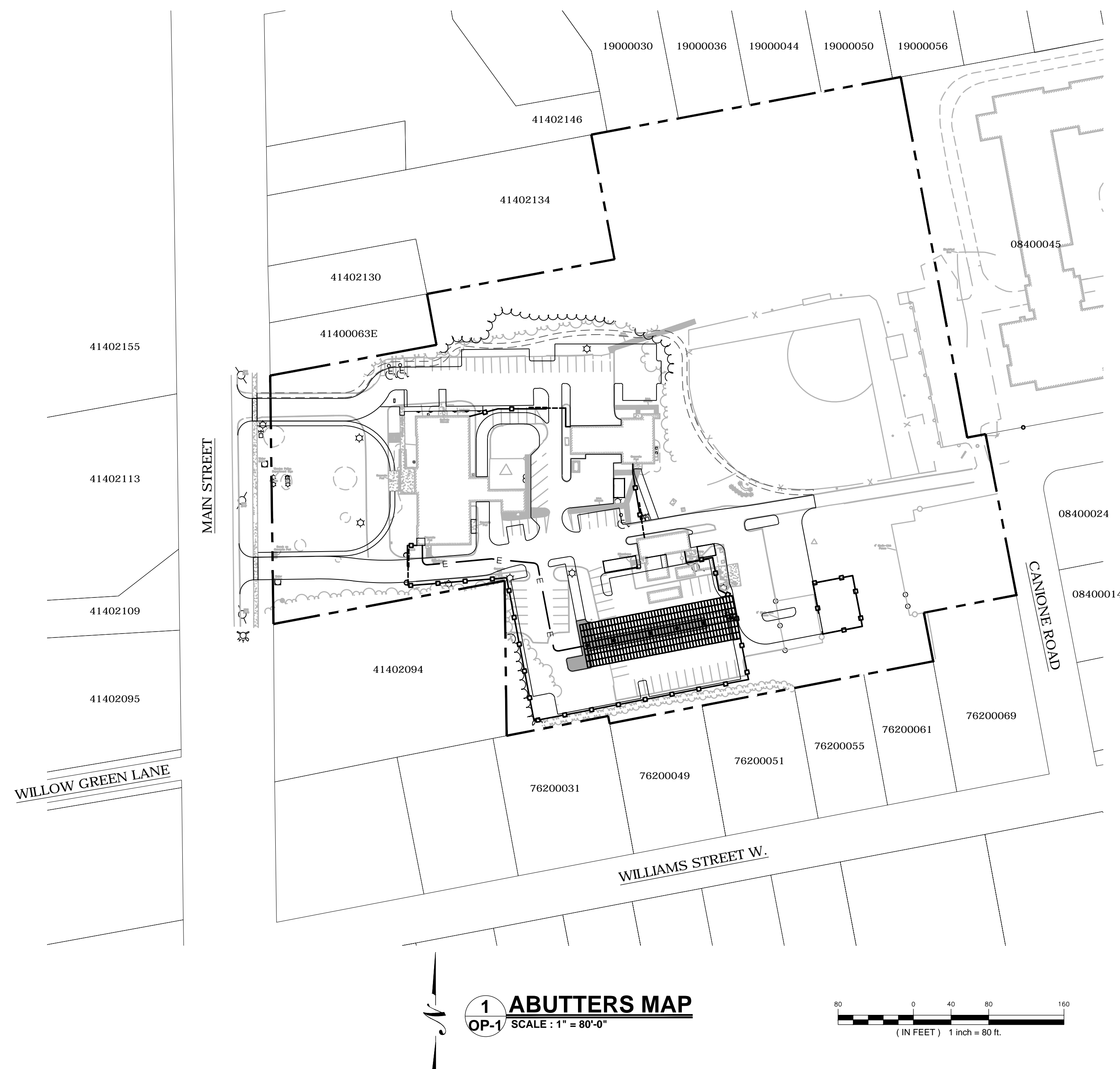
SHEET NUMBER:

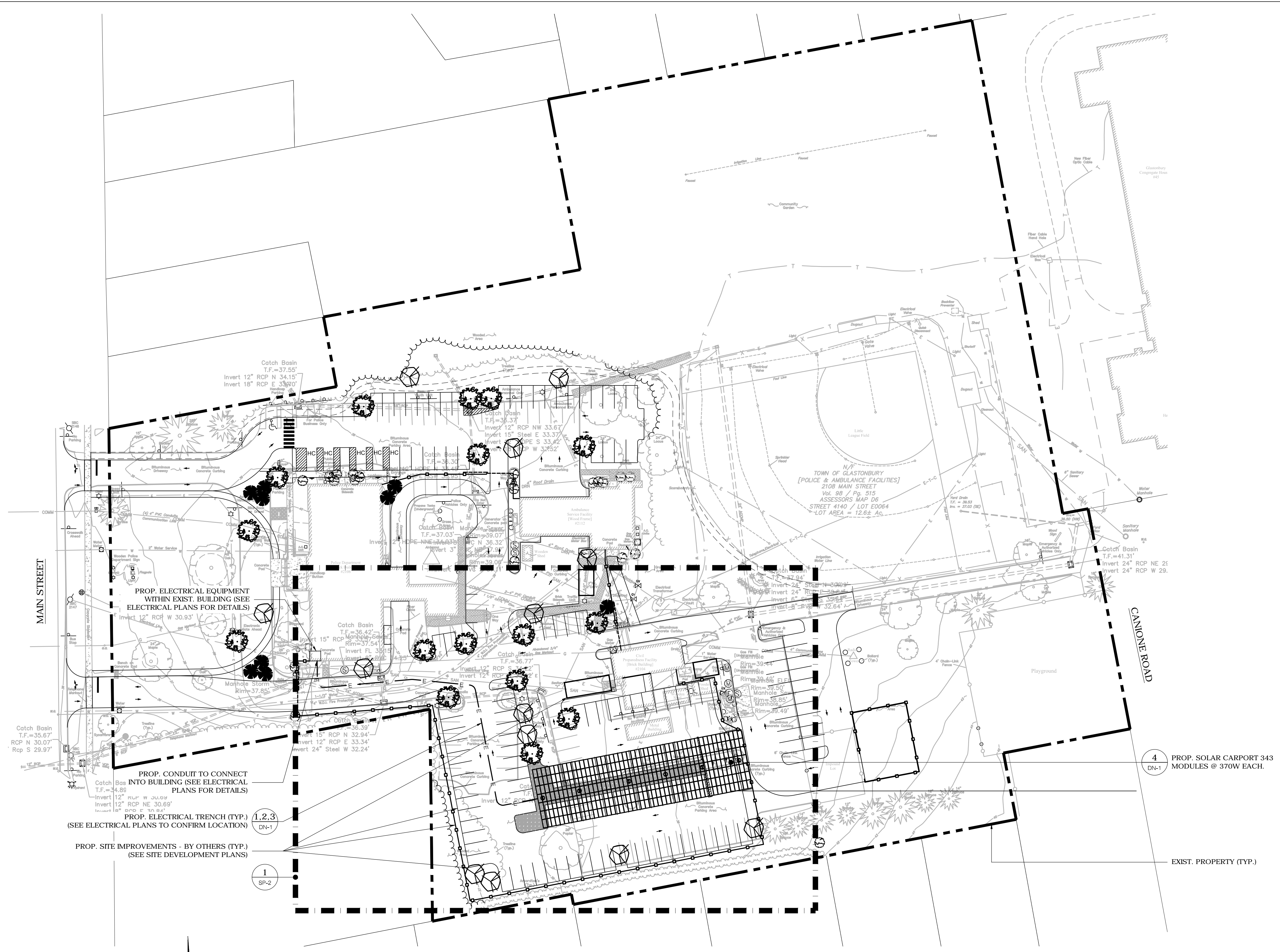
OP-1



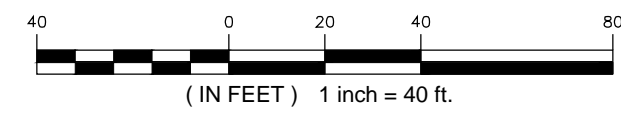
ABUTTER INFORMATION

PARCEL ID	MAP/STREET/LOT	PROPERTY ADDRESS	OWNER NAME	CO-OWNER NAME	OWNER ADDRESS	OWNER CITY	OWNER STATE	OWNER ZIP
4140063E	D6/4140/E0063	2130 MAIN STREET	KENNETH R. INCHALIK	BARBARA HO	2130 MAIN STREET	GLASTONBURY	CT	06033
41402130	D6/4140/E0062	2126 MAIN STREET	KENNETH R. INCHALIK	BARBARA HO	2131 MAIN STREET	GLASTONBURY	CT	06033
41402134	D6/4140/E0061	2134 MAIN STREET	WOODBIDGE MANAGEMENT LLC		64 ANDOVER DRIVE	MILFORD	CT	06460
41402146	D6/4140/E0059	2146 MAIN STREET	SHARON HOLLAND PURTILL	GEORGE MORROW	2146 MAIN STREET	GLASTONBURY	CT	06033
19000030	D6/1900/S0002	30 DOUGLAS ROAD	JAMES L & BARBARA A GIROUX		30 DOUGLAS ROAD	GLASTONBURY	CT	06033
19000036	D6/1900/S0003	36 DOUGLAS ROAD	MARY J HOWE		40 PLANK LANE	GLASTONBURY	CT	06033
19000044	D6/1900/S0004	44 DOUGLAS ROAD	MICHAEL MCGINLEY		44 DOUGLAS ROAD	GLASTONBURY	CT	06033
19000050	D6/1900/S0005	50 DOUGLAS ROAD	LISA MULLER		50 DOUGLAS ROAD	GLASTONBURY	CT	06033
19000056	D6/1900/S0006	56 DOUGLAS ROAD	JEFFERY H. & SUE L. PITLER		56 DOUGLAS ROAD	GLASTONBURY	CT	06033
08400045	D6/0840/C0008	43-45 CANIONE ROAD	GLASTONBURY TOWN OF HOUSING AUTHORITY		P.O. BOX 6523	GLASTONBURY	CT	06033
08400024	D6/0840/C0003	24 CANIONE ROAD	VERONICA LU. PORTER & PORTER CHILDREN TRUST	KAREN GORDON TRUSTEE	P.O. BOX 818	GLASTONBURY	CT	06033
08400014	D6/0840/C0002	14 CANIONE ROAD	MARIE T LOSCALZO		14 CANIONE ROAD	GLASTONBURY	CT	06033
76200069	D6/7620/N0004	69 WILLIAMS STREET W	PATRICIA S WEIBUST		69 WILLIAMS STREET W	GLASTONBURY	CT	06033
76200061	D6/7620/N0003	61 WILLIAMS STREET W	MAUREEN E. DWYER	PATRICE E DUNCAN	P.O. BOX 1307	GLASTONBURY	CT	06033
76200055	D6/7620/N0002	55 WILLIAMS STREET W	DARIA BIANCARDI		55 WILLIAMS STREET W	GLASTONBURY	CT	06033
76200051	D6/7620/N0001A	51 WILLIAMS STREET W	JEFFERY J. & JENNIFER A. DOWD		51 WILLIAMS STREET W	GLASTONBURY	CT	06033
76200049	D6/7620/N0001B	49 WILLIAMS STREET W	DOUGLAS P. GLAZIER REV. LIV. TRUST	DOUGLAS P. & GERALDINE A. GLAZIER TRUSTEES	2003 MAIN STREET	GLASTONBURY	CT	06033
76200031	D6/7620/N0001C	31 WILLIAMS STREET W	JOAN B. MARMAN		31 WILLIAMS STREET W	GLASTONBURY	CT	06033
41402094	D6/4140/E0065A	2094 MAIN STREET	ANN D. CARTA		P.O. BOX 1027	GLASTONBURY	CT	06033
41402095	D6/4140/W0070	2095 MAIN STREET	MICHAEL MICHALCZYK		2095 MAIN STREET	GLASTONBURY	CT	06033
41402109	D6/4140/W0069A	2145 MAIN STREET	TOWN OF GLASTONBURY		P.O. BOX 6523	GLASTONBURY	CT	06033
41402113	D6/4140/W0069	2113 MAIN STREET	TIMOTHY & ELAINE PREWITT		2113 MAIN STREET	GLASTONBURY	CT	06033
41402155	D6/4140/W0066	2155 MAIN STREET	TOWN OF GLASTONBURY	TOWN HALL & ACADEMY SCHOOL & SEWAGE TREATMENT	P.O. BOX 6523	GLASTONBURY	CT	06033





1 OVERALL SITE PLAN
 SP-1 SCALE: 1" = 40'-0"



127 WASHINGTON AVE.
 WEST BUILDING, GARDEN LEVEL
 NORTH HAVEN, CT 06473



567 VAUXHAUL STREET EXTENSION - SUITE 311
 WATERFORD, CT 06385 PHONE: (860)-663-1697
 WWW.ALLPOINTSTECH.COM FAX: (860)-663-0935

CSC PERMIT SET

NO	DATE	REVISION
0	07/23/20	FOR CLIENT REVIEW
1	07/31/20	FOR CLIENT REVIEW
2		
3		
4		
5		
6		

DESIGN PROFESSIONAL OF RECORD

PROF. BRADLEY J. PARSONS P.E.
 COMP: ALL-POINTS TECHNOLOGY CORPORATION
 ADD: 567 VAUXHAUL STREET
 EXTENSION - SUITE 311
 WATERFORD, CT 06385

OWNER: TOWN OF GLASTONBURY
 ADDRESS: POLICE STATION/HIGHLAND SCHOOL
 GLASTONBURY, CT 06033

GLASTONBURY PD CARPORT

SITE 2108 MAIN STREET
 ADDRESS: GLASTONBURY, CT 06033

APT FILING NUMBER: CT531170

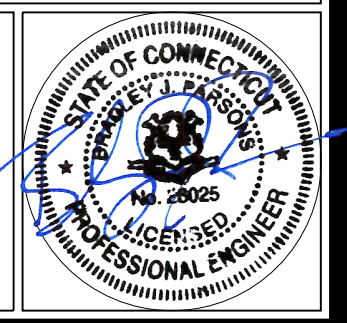
DATE: 07/23/20 DRAWN BY: CSH
 CHECKED BY: BJP

SHEET TITLE:

OVERALL SITE PLAN

SHEET NUMBER:

SP-1



CSC PERMIT SET

NO	DATE	REVISION
0	07/23/20	FOR CLIENT REVIEW
1	07/31/20	FOR CLIENT REVIEW
2		
3		
4		
5		
6		

DESIGN PROFESSIONAL OF RECORD

PROF: BRADLEY J. PARSONS P.E.
COMP: ALL-POINTS TECHNOLOGY CORPORATION
ADD: 567 VAUXHAUL STREET EXTENSION - SUITE 311
WATERFORD, CT 06385

OWNER: TOWN OF GLASTONBURY
ADDRESS: POLICE STATION/HIGHLAND SCHOOL
GLASTONBURY, CT 06033

GLASTONBURY PD CARPORT

SITE: 2108 MAIN STREET

ADDRESS: GLASTONBURY, CT 06033

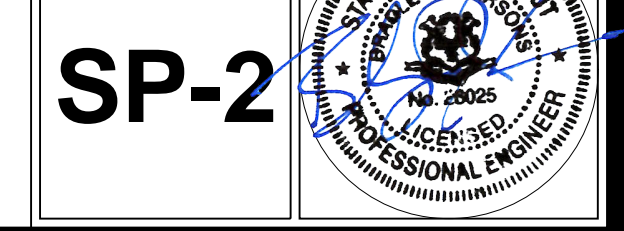
APT FILING NUMBER: CT531170

DATE: 07/23/20
DRAWN BY: CSH
CHECKED BY: BJP

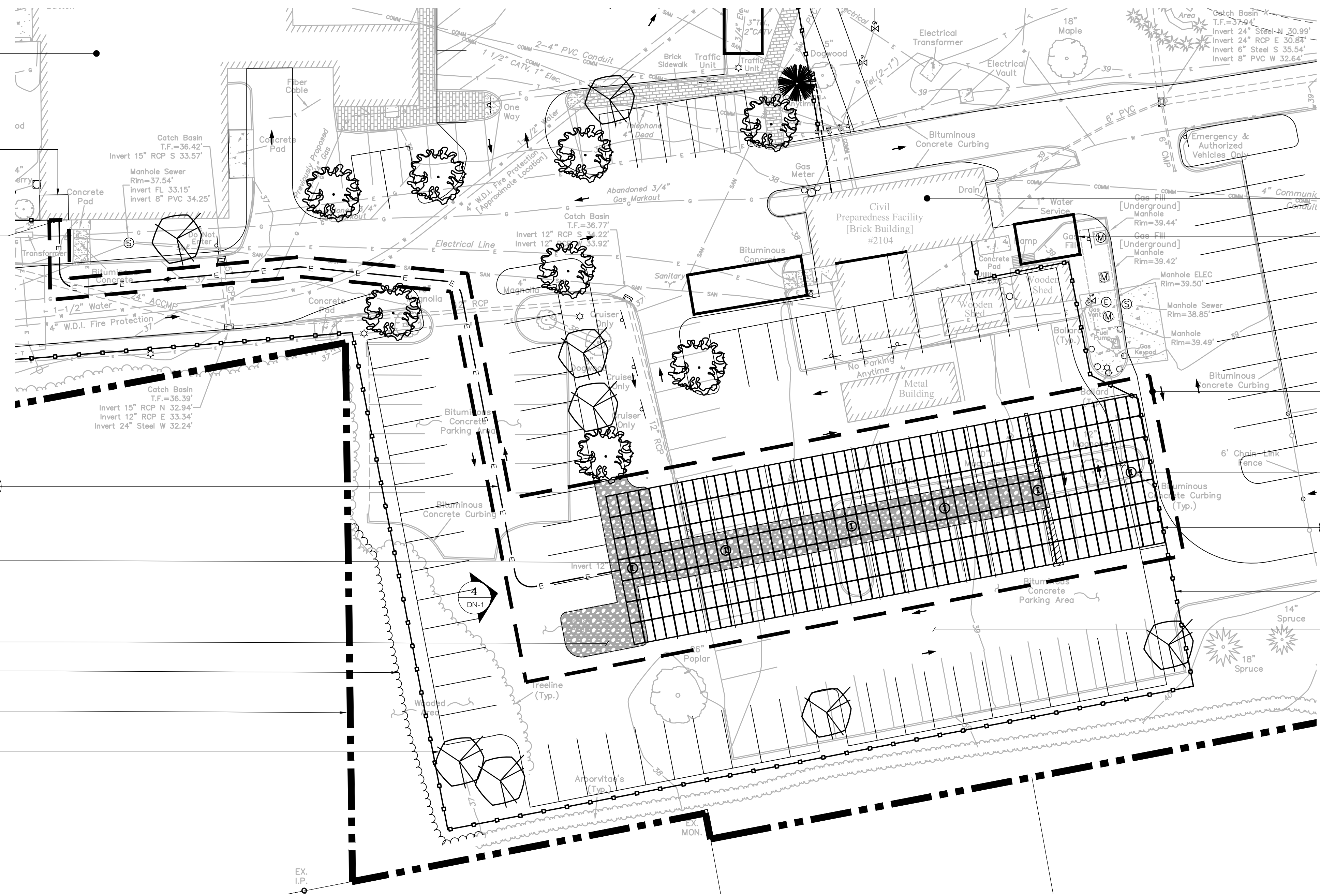
SHEET TITLE:

**DETAILED SITE PLAN
(PROPOSED PARKING)**

SHEET NUMBER:



SP-2



EXIST. POLICE DEPARTMENT BUILDING

PROP. ELECTRICAL EQUIPMENT WITHIN EXIST. BUILDING (SEE ELECTRICAL PLANS FOR DETAILS)

PROP. CONDUIT TO CONNECT INTO BUILDING (SEE ELECTRICAL PLANS FOR DETAILS)

PROP. ELECTRICAL TRENCH (TYP.) (SEE ELECTRICAL PLANS TO CONFIRM LOCATION)

PROP. POST INVERTER (SEE ELECTRICAL PLANS FOR LOCATION & DETAILS)

PROP. GRAVEL BENEATH CARPORT (BY OTHERS) (TYP.)

PROP. TREE LINE (BY OTHERS) (TYP.)

PROPERTY LINE (TYP.)

PROP. LANDSCAPING (BY OTHERS) (TYP.)

EXIST. BUILDING (TYP.)

PROP. BUILDING (BY OTHERS) (TYP.)

APPROXIMATE LIMIT OF WORK (TYP.)

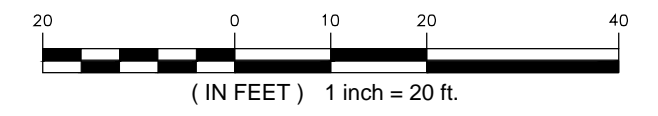
PROP. CARPORT FOUNDATION (TYP. 6 PLC.) (EXACT QUANTITY AND LOCATION DETERMINED BY MANUFACTURER)

PROP. SOLAR CARPORT 343 MODULES @ 370W EACH.

PROP. CHAIN LINK FENCE (BY OTHERS) (TYP.)

PROP. BIT PARKING AREA (BY OTHERS) (TYP.)

**DETAILED SITE PLAN
(PROPOSED PARKING)**
SCALE: 1" = 20'-0"



CSC PERMIT SET

NO	DATE	REVISION
0	07/23/20	FOR CLIENT REVIEW
1	07/31/20	FOR CLIENT REVIEW
2		
3		
4		
5		
6		

DESIGN PROFESSIONAL OF RECORD

PROF: BRADLEY J. PARSONS P.E.
COMP: ALL-POINTS TECHNOLOGY CORPORATION
ADD: 567 VAUXHAUL STREET
EXTENSION - SUITE 311
WATERFORD, CT 06385

OWNER: TOWN OF GLASTONBURY
ADDRESS: POLICE STATION/HIGHLAND SCHOOL
GLASTONBURY, CT 06033

GLASTONBURY PD CARPORT

SITE: 2108 MAIN STREET
ADDRESS: GLASTONBURY, CT 06033

APT FILING NUMBER: CT531170

DRAWN BY: CSH

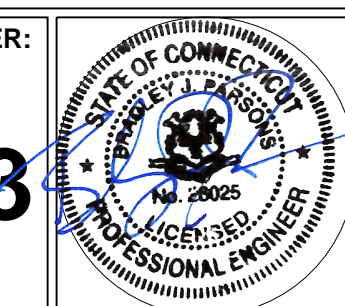
DATE: 07/23/20 CHECKED BY: BJP

SHEET TITLE:

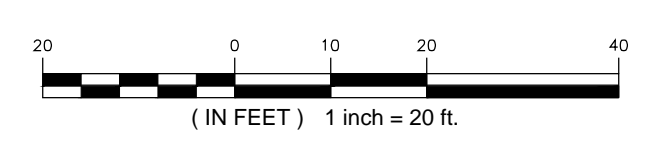
**DETAILED SITE PLAN
(EXISTING PARKING)**

SHEET NUMBER:

SP-3



1
SP-3
**DETAILED SITE PLAN
(EXISTING PARKING)**
SCALE: 1" = 20'-0"



CSC PERMIT SET

NO	DATE	REVISION
0	07/23/20	FOR CLIENT REVIEW
1	07/31/20	FOR CLIENT REVIEW
2		
3		
4		
5		
6		

DESIGN PROFESSIONAL OF RECORD

PROF: BRADLEY J. PARSONS P.E.
COMP: ALL-POINTS TECHNOLOGY CORPORATION
ADD: 567 VAUXHAUL STREET
EXTENSION - SUITE 311
WATERFORD, CT 06385

OWNER: TOWN OF GLASTONBURY
ADDRESS: POLICE STATION/HIGHLAND SCHOOL
GLASTONBURY, CT 06033

GLASTONBURY PD CARPORT

SITE: 2108 MAIN STREET
ADDRESS: GLASTONBURY, CT 06033

APT FILING NUMBER: CT531170

DRAWN BY: CSH

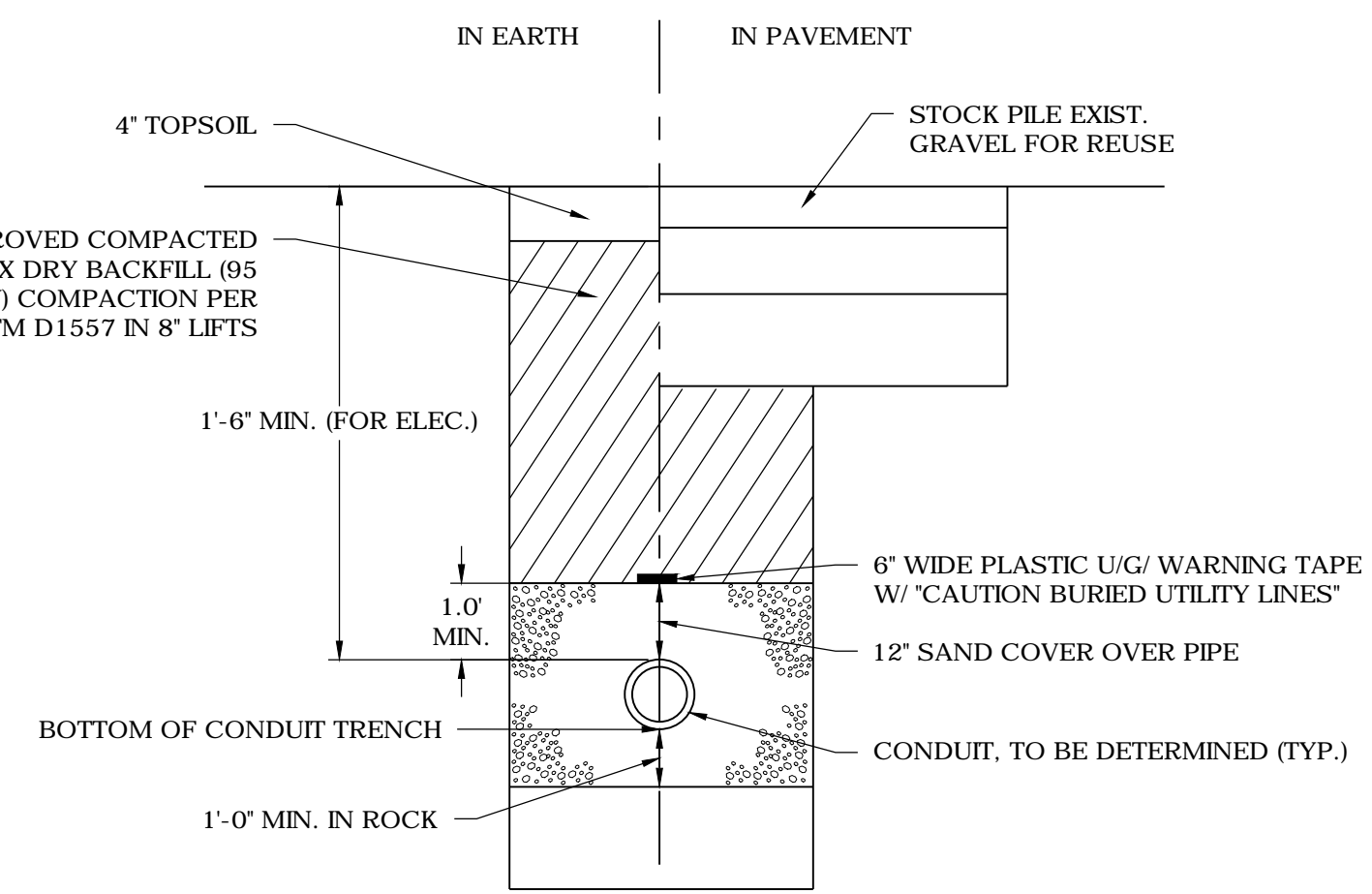
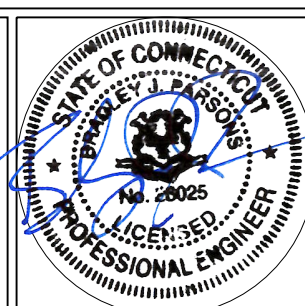
DATE: 07/23/20 CHECKED BY: BJP

SHEET TITLE:

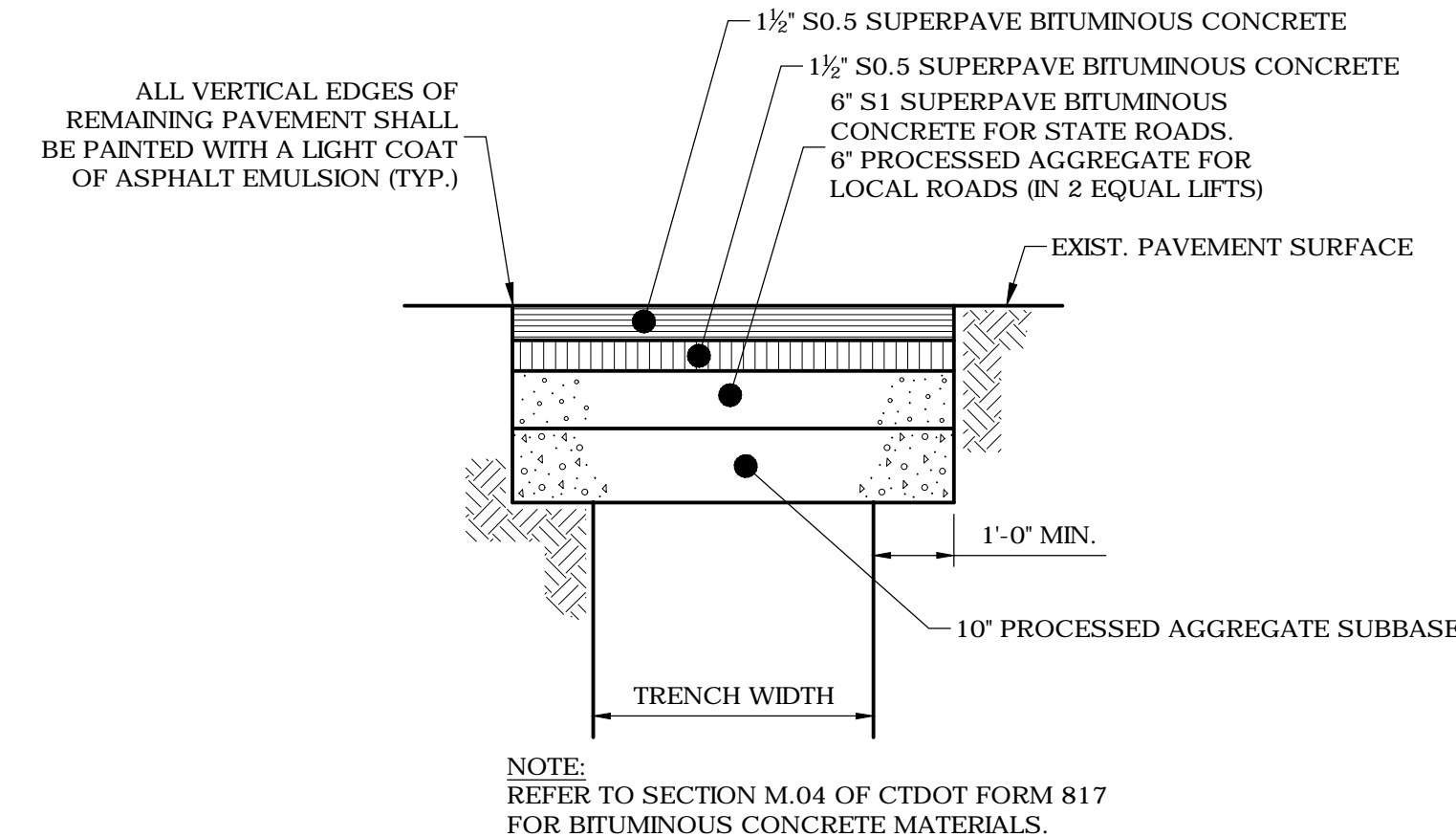
SITE DETAILS & NOTES

SHEET NUMBER:

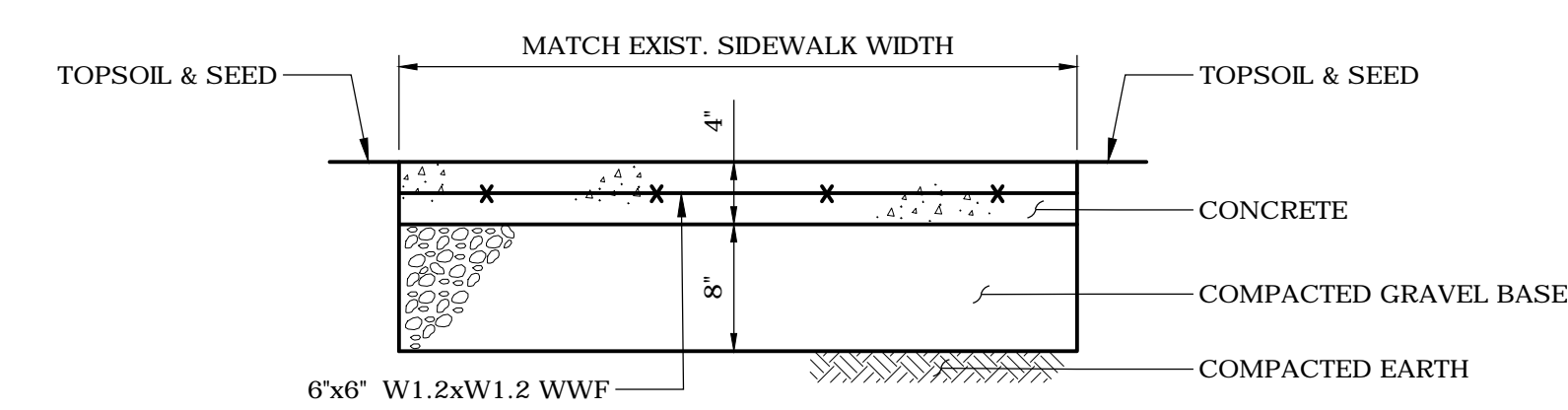
DN-1



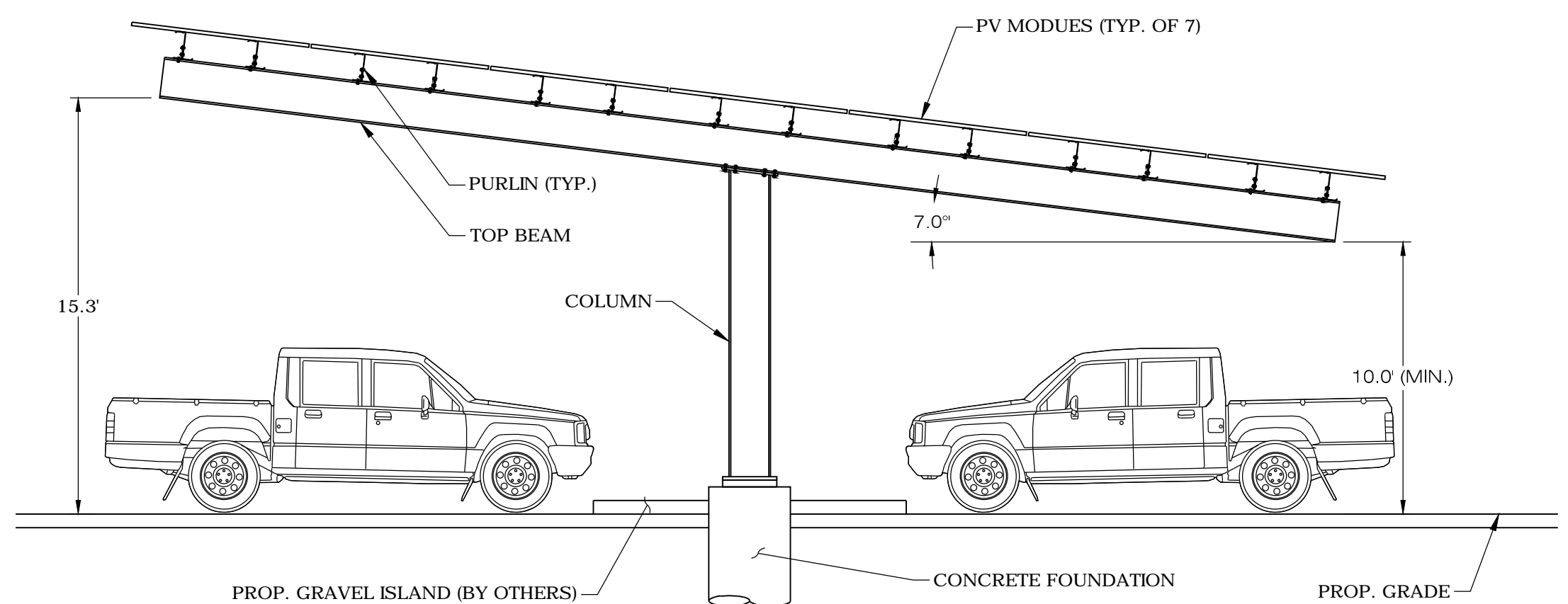
1 ELECTRICAL TRENCH DETAIL
SCALE: N.T.S.



2 PAVEMENT REPAIR OVER TRENCH
SCALE: N.T.S.

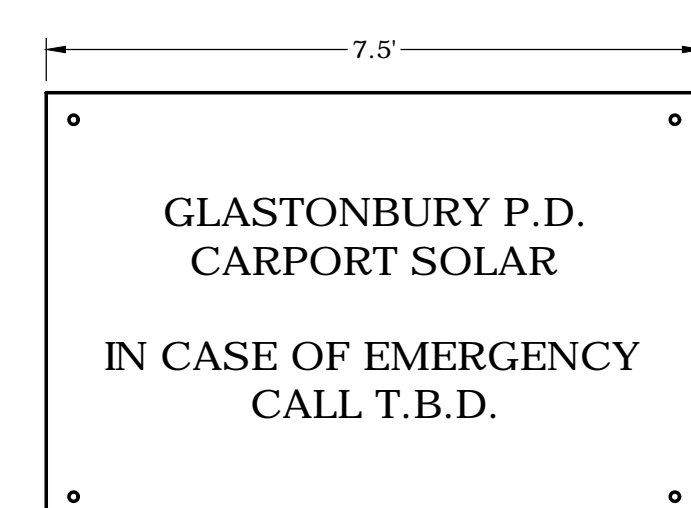


3 SIDEWALK REPAIR OVER TRENCH
SCALE: N.T.S.



4 CARPORT SECTION A-A' - 6 MODULE CANOPY WIDTH
SCALE: N.T.S.

NOTES:
SEE MANUFACTURER'S DETAIL SHEETS FOR DETAILED INFORMATION REGARDING RACKING SYSTEM REQUIREMENTS AND INSTALLATION PROCEDURES. RACKING SYSTEM TO BE INSTALLED IN ACCORDANCE WITH MANUFACTURER'S REQUIREMENTS.



NOTES:
EMERGENCY CALL NUMBER TO BE PROVIDED ONCE DETERMINED.

5 NOTIFICATION SIGN DETAIL
SCALE: N.T.S.

GENERAL NOTES

1. ALL CONSTRUCTION SHALL COMPLY WITH PROJECT DEVELOPER STANDARDS, TOWN OF GLASTONBURY STANDARDS, CONNECTICUT DEPARTMENT OF TRANSPORTATION STANDARDS AND SPECIFICATIONS IN THE ABOVE REFERENCED INCREASING HIERARCHY. IF SPECIFICATIONS ARE IN CONFLICT, THE MORE STRINGENT SPECIFICATION SHALL APPLY.
2. IF NO PROJECT CONSTRUCTION SPECIFICATION PACKAGE IS PROVIDED BY THE PROJECT DEVELOPER OR THEIR REPRESENTATIVE, THE CONTRACTOR SHALL COMPLY WITH THE MANUFACTURE, TOWN OF GLASTONBURY, OR CONNECTICUT DEPARTMENT OF TRANSPORTATION STANDARD SPECIFICATIONS, AND BE IN ACCORDANCE WITH ALL APPLICABLE OSHA, FEDERAL, STATE AND LOCAL REGULATIONS.
3. THE PROJECT DEVELOPER IS RESPONSIBLE FOR OBTAINING ALL NECESSARY ZONING AND STORMWATER PERMITS REQUIRED BY GOVERNMENT AGENCIES PRIOR TO CONSTRUCTION. THE CONTRACTOR SHALL OBTAIN ALL TOWN OF GLASTONBURY CONSTRUCTION PERMITS. THE CONTRACTOR SHALL POST ALL BONDS, PAY ALL FEES, PROVIDE PROOF OF INSURANCE AND PROVIDE TRAFFIC CONTROL NECESSARY FOR THIS WORK.
4. REFER TO PLANS, DETAILS AND REPORTS PREPARED BY ALL-POINTS TECHNOLOGY CORPORATION FOR ADDITIONAL INFORMATION. THE CONTRACTOR SHALL VERIFY ALL SITE CONDITIONS IN THE FIELD AND CONTACT THE PROJECT DEVELOPER IF THERE ARE ANY QUESTIONS OR CONFLICTS REGARDING THE CONSTRUCTION DOCUMENTS AND/OR FIELD CONDITIONS SO THAT APPROPRIATE REVISIONS CAN BE MADE PRIOR TO BIDDING/CONSTRUCTION. ANY CONFLICT BETWEEN THE DRAWINGS AND SPECIFICATIONS SHALL BE CONFIRMED WITH THE PROJECT DEVELOPER'S CONSTRUCTION MANAGER PRIOR TO CONSTRUCTION.
5. THE CONTRACTOR SHALL SUBMIT SHOP DRAWINGS OF ALL PRODUCTS, MATERIALS PER PLANS AND SPECIFICATIONS TO THE PROJECT DEVELOPER FOR REVIEW AND APPROVAL PRIOR TO FABRICATION OR DELIVERY TO THE SITE. ALLOW A MINIMUM OF 14 WORKING DAYS FOR REVIEW.
6. SHOULD ANY UNKNOWN OR INCORRECTLY LOCATED EXISTING PIPING OR OTHER UTILITY BE UNCOVERED DURING EXCAVATION, CONSULT THE PROJECT DEVELOPER IMMEDIATELY FOR DIRECTIONS BEFORE PROCEEDING FURTHER WITH WORK IN THIS AREA.
7. DO NOT INTERRUPT EXISTING UTILITIES SERVICING FACILITIES OCCUPIED AND USED BY THE PROJECT DEVELOPER OR OTHERS DURING OCCUPIED HOURS, EXCEPT WHEN SUCH INTERRUPTIONS HAVE BEEN AUTHORIZED IN WRITING BY THE PROJECT DEVELOPER AND THE LOCAL MUNICIPALITY. INTERRUPTIONS SHALL ONLY OCCUR AFTER ACCEPTABLE TEMPORARY SERVICE HAS BEEN PROVIDED.
8. THE CONTRACT LIMIT IS THE PROPERTY LINE UNLESS OTHERWISE SPECIFIED OR SHOWN ON THE CONTRACT DRAWINGS.
9. THE CONTRACTOR SHALL ABIDE BY ALL OSHA, FEDERAL, STATE AND LOCAL REGULATIONS WHEN OPERATING CRANES, BOOMS, HOISTS, ETC. IN CLOSE PROXIMITY TO OVERHEAD ELECTRIC LINES. IF CONTRACTOR MUST OPERATE EQUIPMENT CLOSE TO ELECTRIC LINES, CONTACT POWER COMPANY TO MAKE ARRANGEMENTS FOR PROPER SAFEGUARDS. ANY UTILITY COMPANY FEES SHALL BE PAID FOR BY THE CONTRACTOR.
10. THE CONTRACTOR SHALL COMPLY WITH OSHA CFR 29 PART 1926 FOR EXCAVATION TRENCHING AND TRENCH PROTECTION REQUIREMENTS.
11. THE ENGINEER IS NOT RESPONSIBLE FOR SITE SAFETY MEASURES TO BE EMPLOYED DURING CONSTRUCTION. THE ENGINEER HAS NO CONTRACTUAL DUTY TO CONTROL THE SAFEST METHODS OR MEANS OF THE WORK, JOB SITE RESPONSIBILITIES, SUPERVISION OF PERSONNEL OR TO SUPERVISE SAFETY AND DO NOT VOLUNTARILY ASSUME ANY SUCH DUTY OR RESPONSIBILITY.
12. THE CONTRACTOR SHALL RESTORE ANY DRAINAGE STRUCTURE, PIPE, CONDUIT, PAVEMENT, CURBING, SIDEWALKS, LANDSCAPED AREAS OR SIGNAGE DISTURBED DURING CONSTRUCTION TO THEIR ORIGINAL CONDITION OR BETTER, AS APPROVED BY THE PROJECT DEVELOPER OR TOWN OF GLASTONBURY.
13. THE CONTRACTOR SHALL PROVIDE AS-BUILT RECORDS OF ALL CONSTRUCTION (INCLUDING UNDERGROUND UTILITIES) TO THE PROJECT DEVELOPER AT THE END OF CONSTRUCTION.
14. ALTERNATIVE METHODS AND PRODUCTS, OTHER THAN THOSE SPECIFIED, MAY BE USED IF REVIEWED AND APPROVED BY THE PROJECT DEVELOPER, ENGINEER, AND APPROPRIATE REGULATORY AGENCY PRIOR TO INSTALLATION DURING THE BIDDING/CONSTRUCTION PROCESS.
15. INFORMATION ON EXISTING UTILITIES AND STORM DRAINAGE SYSTEMS HAS BEEN COMPILED FROM AVAILABLE INFORMATION INCLUDING UTILITY PROVIDER AND MUNICIPAL RECORD MAPS AND/OR FIELD SURVEY AND IS NOT GUARANTEED CORRECT OR COMPLETE. UTILITIES AND STORM DRAINAGE SYSTEMS ARE SHOWN TO ALERT THE CONTRACTOR TO THEIR PRESENCE AND THE CONTRACTOR IS SOLELY RESPONSIBLE FOR DETERMINING ACTUAL LOCATIONS AND ELEVATIONS OF ALL UTILITIES AND STORM DRAINAGE SYSTEMS INCLUDING SERVICES. PRIOR TO DEMOLITION OR CONSTRUCTION, THE CONTRACTOR SHALL CONTACT 'DIG SAFE' 72 HOURS BEFORE COMMENCEMENT OF WORK AT '811' AND VERIFY ALL UTILITY AND STORM DRAINAGE SYSTEM LOCATIONS.
16. NO CONSTRUCTION OR DEMOLITION SHALL BEGIN UNTIL APPROVAL OF THE FINAL PLANS IS GRANTED BY ALL GOVERNING AND REGULATORY AGENCIES.

SITE PLAN NOTES

1. THE BASE MAPPING AND PROPOSED SITE WORK WAS PROVIDED BY ALFRED BENESCH & COMPANY, DATED MAY 1, 2020.
2. THERE WILL BE MINIMAL GRADING ON SITE IN THE AREAS OF THE MINOR CLEARING, TO ENSURE THAT PROPER DRAINAGE IS MAINTAINED.
3. THE CONTRACTOR SHALL FOLLOW THE RECOMMENDED SEQUENCE OF CONSTRUCTION NOTES PROVIDED ON THE EROSION CONTROL PLAN OR SUBMIT AN ALTERNATE PLAN FOR APPROVAL BY THE ENGINEER AND/OR PERMITTING AGENCIES PRIOR TO THE START OF CONSTRUCTION. ALLOW A MINIMUM OF 14 WORKING DAYS FOR REVIEW.
4. PROPER CONSTRUCTION PROCEDURES SHALL BE FOLLOWED ON ALL IMPROVEMENTS WITHIN THIS PARCEL SO AS TO PREVENT THE SILTING OF ANY WATERCOURSE OR BYWAYS IN ACCORDANCE WITH FEDERAL, STATE, AND LOCAL REGULATIONS. IN ADDITION, THE CONTRACTOR SHALL ADHERE TO 'EROSION CONTROL PLAN' CONTAINED HEREIN. THE CONTRACTOR SHALL BE RESPONSIBLE TO POST ALL BONDS AS REQUIRED BY GOVERNMENT AGENCIES WHICH WOULD GUARANTEE THE PROPER IMPLEMENTATION OF THE PLAN.
5. ALL SITE WORK, MATERIALS OF CONSTRUCTION, AND CONSTRUCTION METHODS FOR EARTHWORK AND STORM DRAINAGE WORK, SHALL CONFORM TO THE SPECIFICATIONS AND DETAILS AND APPLICABLE SECTIONS OF THE PROJECT SPECIFICATIONS MANUAL. OTHERWISE THIS WORK SHALL CONFORM TO THE STATE OF CONNECTICUT DEPARTMENT OF TRANSPORTATION AND PROJECT GEOTECHNICAL REPORT IF THERE IS NO PROJECT SPECIFICATIONS MANUAL. ALL FILL MATERIAL UNDER STRUCTURES AND PAVED AREAS SHALL BE PER THE ABOVE STATED APPLICABLE SPECIFICATIONS, AND/OR PROJECT GEOTECHNICAL REPORT, AND SHALL BE PLACED IN ACCORDANCE WITH THE APPLICABLE SPECIFICATIONS UNDER THE SUPERVISION OF A QUALIFIED PROFESSIONAL ENGINEER. MATERIAL SHALL BE COMPACTED IN 8" LIFTS TO 95% OF THE MAXIMUM DRY DENSITY AS DETERMINED BY ASTM D 1557 AT 95% PERCENT OF OPTIMUM MOISTURE CONTENT.
6. ALL DISTURBANCE INCURRED TO PUBLIC, MUNICIPAL, COUNTY, STATE PROPERTY DUE TO CONSTRUCTION SHALL BE RESTORED TO ITS PREVIOUS CONDITION OR BETTER, TO THE SATISFACTION OF THE TOWN OF GLASTONBURY AND STATE OF CONNECTICUT.
7. IF IMPACTED OR CONTAMINATED SOIL IS ENCOUNTERED BY THE CONTRACTOR, THE CONTRACTOR SHALL SUSPEND EXCAVATION WORK OF IMPACTED SOIL AND NOTIFY THE PROJECT DEVELOPER AND/OR PROJECT DEVELOPER'S ENVIRONMENTAL CONSULTANT PRIOR TO PROCEEDING WITH FURTHER WORK IN THE IMPACTED SOIL LOCATION UNTIL FURTHER INSTRUCTED BY THE PROJECT DEVELOPER AND/OR PROJECT DEVELOPER'S ENVIRONMENTAL CONSULTANT.

UTILITY NOTES

1. CONTRACTOR IS RESPONSIBLE FOR CONTACTING THE TOWN OF GLASTONBURY TO SECURE CONSTRUCTION PERMITS AND FOR PAYMENT OF FEES FOR STREET CUTS AND CONNECTIONS TO EXISTING UTILITIES.
2. REFER TO DRAWINGS BY PROJECT DEVELOPER FOR THE ONSITE ELECTRICAL DRAWINGS AND INTERCONNECTION TO EXISTING ELECTRICAL GRID. SITE CONTRACTOR SHALL SUPPLY AND INSTALL PIPE ADAPTERS AS NECESSARY AT BUILDING CONNECTION POINT OR AT EXISTING UTILITY OR PIPE CONNECTION POINT. THESE DETAILS ARE NOT INCLUDED IN THESE PLANS.
3. UTILITY LOCATIONS AND PENETRATIONS ARE SHOWN FOR THE CONTRACTOR'S INFORMATION AND SHALL BE VERIFIED WITH THE ELECTRICAL ENGINEER AND THE PROJECT DEVELOPER'S CONSTRUCTION MANAGER PRIOR TO THE START OF CONSTRUCTION.
4. THE CONTRACTOR SHALL VISIT THE SITE AND VERIFY THE ELEVATION AND LOCATION OF ALL UTILITIES BY VARIOUS MEANS PRIOR TO BEGINNING ANY EXCAVATION. TEST PITS SHALL BE DUG AT ALL LOCATIONS WHERE PROP. SANITARY SEWERS AND WHERE PROP. STORM PIPING WILL CROSS EXISTING UTILITIES, AND THE HORIZONTAL AND VERTICAL LOCATIONS OF THE UTILITIES SHALL BE DETERMINED. THE CONTRACTOR SHALL CONTACT THE PROJECT DEVELOPER IN THE EVENT OF ANY DISCOVERED OR UNFORESEEN CONFLICTS BETWEEN EXISTING AND PROPOSED SANITARY SEWERS, STORM PIPING AND UTILITIES SO THAT AN APPROPRIATE MODIFICATION MAY BE MADE.
5. UTILITY CONNECTION DESIGN AS REFLECTED ON THE PLAN MAY CHANGE SUBJECT TO UTILITY PROVIDER AND GOVERNING AUTHORITY STAFF REVIEW.
6. THE CONTRACTOR SHALL ENSURE THAT ALL UTILITY PROVIDERS AND GOVERNING AUTHORITY STANDARDS FOR MATERIALS AND CONSTRUCTION METHODS ARE MET. THE CONTRACTOR SHALL PERFORM PROPER COORDINATION WITH THE RESPECTIVE UTILITY PROVIDER.
7. THE CONTRACTOR SHALL ARRANGE FOR AND COORDINATE WITH THE RESPECTIVE UTILITY PROVIDERS FOR SERVICE INSTALLATIONS AND CONNECTIONS. THE CONTRACTOR SHALL COORDINATE WORK TO BE PERFORMED BY THE VARIOUS UTILITY PROVIDERS AND SHALL PAY ALL FEES FOR CONNECTIONS, DISCONNECTIONS, RELOCATIONS, INSPECTIONS, AND DEMOLITION UNLESS OTHERWISE STATED IN THE PROJECT SPECIFICATIONS MANUAL AND/OR GENERAL CONDITIONS OF THE CONTRACT.
8. ALL EXISTING PAVEMENT WHERE UTILITY PIPING IS TO BE INSTALLED SHALL BE SAW CUT. AFTER UTILITY INSTALLATION IS COMPLETED, THE CONTRACTOR SHALL INSTALL TEMPORARY AND/OR PERMANENT PAVEMENT REPAIR AS DETAILED ON THE DRAWINGS OR AS REQUIRED BY THE TOWN OF GLASTONBURY.
9. ALL PIPES SHALL BE LAID ON STRAIGHT ALIGNMENTS AND EVEN GRADES USING A PIPE LASER OR OTHER ACCURATE METHOD.
10. RELOCATION OF UTILITY PROVIDER FACILITIES, SUCH AS POLES, SHALL BE DONE IN ACCORDANCE WITH THE REQUIREMENTS OF THE UTILITY PROVIDER.
11. THE CONTRACTOR SHALL COMPACT PIPE BACKFILL IN 8" LIFTS ACCORDING TO THE PIPE BEDDING DETAILS. TRENCH BOTTOM SHALL BE STABLE IN HIGH GROUNDWATER AREAS. A PIPE FOUNDATION SHALL BE USED PER THE TRENCH DETAILS AND IN AREAS OF ROCK EXCAVATION.
12. CONTRACTOR TO PROVIDE STEEL SLEEVES AND ANNULAR SPACE SAND FILL FOR UTILITY PIPE AND CONDUIT CONNECTIONS UNDER FOOTINGS.
13. ALL UTILITY CONSTRUCTION IS SUBJECT TO INSPECTION FOR APPROVAL PRIOR TO BACKFILLING, IN ACCORDANCE WITH THE APPROPRIATE UTILITY PROVIDER REQUIREMENTS.
14. A ONE-FOOT MINIMUM VERTICAL CLEARANCE BETWEEN WATER, GAS, ELECTRICAL, AND TELEPHONE LINES AND STORM PIPING SHALL BE PROVIDED. A SIX-INCH MINIMUM CLEARANCE SHALL BE MAINTAINED BETWEEN STORM PIPING AND SANITARY SEWER. A 6-INCH TO 18-INCH VERTICAL CLEARANCE BETWEEN SANITARY SEWER PIPING AND STORM PIPING SHALL REQUIRE CONCRETE ENCASEMENT OF THE PROP. SANITARY PIPING.
15. THE CONTRACTOR SHALL RESTORE ANY UTILITY STRUCTURE, PIPE, CONDUIT, PAVEMENT, CURBING, SIDEWALKS, DRAINAGE STRUCTURE, SWALE OR LANDSCAPED AREAS DISTURBED DURING CONSTRUCTION, TO THEIR ORIGINAL CONDITION OR BETTER TO THE SATISFACTION OF THE PROJECT DEVELOPER AND TOWN OF GLASTONBURY.
16. INFORMATION ON EXISTING UTILITIES AND STORM DRAINAGE HAS BEEN COMPILED FROM AVAILABLE INFORMATION INCLUDING UTILITY PROVIDER AND MUNICIPAL RECORD MAPS AND/OR FIELD SURVEY, AND IS NOT GUARANTEED CORRECT OR COMPLETE. UTILITIES AND STORM DRAINAGE ARE SHOWN TO ALERT THE CONTRACTOR TO THEIR PRESENCE. THE CONTRACTOR IS SOLELY RESPONSIBLE FOR DETERMINING ACTUAL LOCATIONS AND ELEVATIONS OF ALL UTILITIES AND STORM DRAINAGE INCLUDING SERVICES. CONTACT 'DIG SAFE' AT 811 72 HOURS PRIOR TO CONSTRUCTION AND VERIFY ALL UNDERGROUND AND OVERHEAD UTILITY AND STORM DRAINAGE LOCATIONS. THE CONTRACTOR SHALL EMPLOY THE USE OF A UTILITY LOCATING COMPANY TO PROVIDE SUBSURFACE UTILITY ENGINEERING CONSISTING OF DESIGNATING UTILITIES AND STORM PIPING ON PRIVATE PROPERTY WITHIN THE CONTRACT LIMIT AND CONSISTING OF DESIGNATING AND LOCATING WHERE PROP. UTILITIES AND STORM PIPING CROSS EXISTING UTILITIES AND STORM PIPING WITHIN THE CONTRACT LIMITS.
17. THE CONTRACTOR SHALL ARRANGE AND COORDINATE WITH UTILITY PROVIDERS FOR WORK TO BE PERFORMED BY UTILITY PROVIDERS. THE CONTRACTOR SHALL PAY ALL UTILITY FEES UNLESS OTHERWISE STATED IN THE PROJECT SPECIFICATION MANUAL AND GENERAL CONDITIONS, AND REPAIR PAVEMENTS AS NECESSARY.
18. ELECTRIC DRAWINGS AND REQUIREMENTS ARE NOT INCLUDED AS PART OF THIS DRAWING SET AND SHOULD BE OBTAINED FROM THE PROJECT DEVELOPER.
19. ALTERNATIVE METHODS AND PRODUCTS OTHER THAN THOSE SPECIFIED MAY BE USED IF REVIEWED AND APPROVED BY THE PROJECT DEVELOPER, ENGINEER, AND APPROPRIATE REGULATORY AGENCIES PRIOR TO INSTALLATION.
20. THE CONTRACTOR SHALL MAINTAIN ALL FLOWS AND UTILITY CONNECTIONS TO EXISTING BUILDINGS WITHOUT INTERRUPTION UNLESS/UNTIL AUTHORIZED TO DISCONNECT BY THE PROJECT DEVELOPER, TOWN OF GLASTONBURY, UTILITY PROVIDERS AND GOVERNING AUTHORITIES.



127 WASHINGTON AVE.
WEST BUILDING, GARDEN LEVEL
NORTH HAVEN, CT 06473



567 VAUXHAUL STREET EXTENSION - SUITE 311
WATERFORD, CT 06385 PHONE: (860)-663-1697
WWW.ALLPOINTSTECH.COM FAX: (860)-663-0935

CSC PERMIT SET		
NO	DATE	REVISION
0	07/23/20	FOR CLIENT REVIEW
1	07/31/20	FOR CLIENT REVIEW
2		
3		
4		
5		
6		

DESIGN PROFESSIONAL OF RECORD	
PROF. BRADLEY J. PARSONS P.E. COMP. ALL-POINTS TECHNOLOGY CORPORATION ADD: 567 VAUXHAUL STREET EXTENSION - SUITE 311 WATERFORD, CT 06385	
OWNER: TOWN OF GLASTONBURY ADDRESS: POLICE STATION/HIGHLAND SCHOOL GLASTONBURY, CT 06033	

GLASTONBURY PD CARPORT	
SITE ADDRESS: 2108 MAIN STREET GLASTONBURY, CT 06033	
APT FILING NUMBER: CT531170	
DATE: 07/23/20	DRAWN BY: CSH
	CHECKED BY: BJP

SHEET TITLE:
SITE NOTES

SHEET NUMBER: DN-2	
------------------------------	--

EROSION CONTROL NOTES

EROSION AND SEDIMENT CONTROL PLAN NOTES

- THE CONTRACTOR SHALL CONSTRUCT ALL SEDIMENT AND EROSION CONTROLS IN ACCORDANCE WITH THE 2002 CONNECTICUT GUIDELINES FOR SOIL EROSION AND SEDIMENT CONTROL, LATEST EDITION, IN ACCORDANCE WITH THE CONTRACT DOCUMENTS, AND AS DIRECTED BY THE TOWN OF PERMITTEE AND/OR SWPCP MONITOR. ALL PERIMETER SEDIMENTATION AND EROSION CONTROL MEASURES SHALL BE INSTALLED PRIOR TO THE START OF CLEARING AND GRUBBING AND DEMOLITION OPERATIONS.
- THESE DRAWINGS ARE ONLY INTENDED TO DESCRIBE THE SEDIMENT AND EROSION CONTROL MEASURES FOR THIS SITE. ALL TEMPORARY EROSION AND SEDIMENT CONTROL MEASURES SHOWN ON THE EROSION & SEDIMENT CONTROL PLAN ARE SHOWN IN A GENERAL SIZE AND LOCATION ONLY. THE CONTRACTOR SHALL BE RESPONSIBLE FOR ENSURING THAT ALL EROSION CONTROL MEASURES ARE CONFIGURED AND CONSTRUCTED IN A MANNER THAT WILL MINIMIZE EROSION OF SOILS AND PREVENT THE TRANSPORT OF SEDIMENTS AND OTHER POLLUTANTS TO STORM DRAINAGE SYSTEMS AND/OR WATERCOURSES. ACTUAL SITE CONDITIONS OR SEASONAL AND CLIMATIC CONDITIONS MAY WARRANT ADDITIONAL CONTROLS OR CONFIGURATIONS, AS REQUIRED, AND AS DIRECTED BY THE PERMITTEE AND/OR SWPCP MONITOR. SEE SEDIMENT AND EROSION CONTROL DETAILS AND SUGGESTED CONSTRUCTION SEQUENCE FOR MORE INFORMATION. REFER TO SITE PLAN FOR GENERAL INFORMATION AND OTHER CONTRACT PLANS FOR APPROPRIATE INFORMATION.
- A BOND OR LETTER OF CREDIT MAY BE REQUIRED TO BE POSTED WITH THE GOVERNING AUTHORITY FOR THE EROSION CONTROL INSTALLATION AND MAINTENANCE.
- THE CONTRACTOR SHALL APPLY THE MINIMUM EROSION & SEDIMENT CONTROL MEASURES SHOWN ON THE PLAN IN CONJUNCTION WITH CONSTRUCTION SEQUENCING, SUCH THAT ALL ACTIVE WORK ZONES ARE PROTECTED. ADDITIONAL AND/OR ALTERNATIVE SEDIMENT AND EROSION CONTROL MEASURES MAY BE INSTALLED DURING THE CONSTRUCTION PERIOD IF FOUND NECESSARY BY THE CONTRACTOR, OWNER, SITE ENGINEER, MUNICIPAL OFFICIALS, OR ANY GOVERNING AGENCY. THE CONTRACTOR SHALL CONTACT THE OWNER AND APPROPRIATE GOVERNING AGENCIES FOR APPROVAL IF ALTERNATIVE CONTROLS OTHER THAN THOSE SHOWN ON THE PLANS ARE PROPOSED BY THE CONTRACTOR.
- THE CONTRACTOR SHALL TAKE EXTREME CARE DURING CONSTRUCTION SO AS NOT TO DISTURB UNPROTECTED WETLAND AREAS OR INSTALLED SEDIMENTATION AND EROSION CONTROL MEASURES. THE CONTRACTOR SHALL INSPECT ALL SEDIMENT AND EROSION CONTROLS WEEKLY AND WITHIN 24 HOURS OF A STORM WITH A RAINFALL AMOUNT OF 0.25 INCHES OR GREATER TO VERIFY THAT THE CONTROLS ARE OPERATING PROPERLY AND MAKE REPAIRS AS NECESSARY IN A TIMELY MANNER.
- THE CONTRACTOR SHALL KEEP A SUPPLY OF EROSION CONTROL MATERIAL (SILT FENCE, COMPOST FILTER SOCK, EROSION CONTROL BLANKET, ETC.) ON-SITE FOR PERIODIC MAINTENANCE AND EMERGENCY REPAIRS.
- ALL FILL MATERIAL PLACED ADJACENT TO ANY WETLAND AREA SHALL BE GOOD QUALITY, WITH LESS THAN 5% FINES PASSING THROUGH A #200 SIEVE (BANK RUN), SHALL BE PLACED IN MAXIMUM ONE FOOT LIFTS, AND SHALL BE COMPACTED TO 95% MAX. DRY DENSITY MODIFIED PROCTOR OR AS SPECIFIED IN THE CONTRACT SPECIFICATIONS.
- PROTECT EXISTING TREES THAT ARE TO BE SAVED BY FENCING, ORANGE SAFETY FENCE, CONSTRUCTION TAPE, OR EQUIVALENT FENCING/TAPE. ANY LIMB TRIMMING SHOULD BE DONE AFTER CONSULTATION WITH AN ARBORIST AND BEFORE CONSTRUCTION BEGINS IN THAT AREA. FENCING SHALL BE MAINTAINED AND REPAIRED DURING CONSTRUCTION.
- CONSTRUCTION ENTRANCES (ANTI-TRACKING PADS) SHALL BE INSTALLED PRIOR TO ANY SITE EXCAVATION OR CONSTRUCTION ACTIVITY AND SHALL BE MAINTAINED THROUGHOUT THE DURATION OF ALL CONSTRUCTION IF REQUIRED. THE LOCATION OF THE TRACKING PADS MAY CHANGE AS VARIOUS PHASES OF CONSTRUCTION ARE COMPLETED. CONTRACTOR SHALL ENSURE THAT ALL VEHICLES EXITING THE SITE ARE PASSING OVER THE ANTI-TRACKING PADS PRIOR TO EXISTING.
- ALL CONSTRUCTION SHALL BE CONTAINED WITHIN THE LIMIT OF DISTURBANCE, WHICH SHALL BE MARKED WITH SILT FENCE, SAFETY FENCE, HAY BALES, RIBBONS, OR OTHER MEANS PRIOR TO CLEARING. CONSTRUCTION ACTIVITY SHALL REMAIN ON THE UPHILL SIDE OF THE SEDIMENT BARRIER UNLESS WORK IS SPECIFICALLY CALLED FOR ON THE DOWNHILL SIDE OF THE BARRIER.
- NO CUT OR FILL SLOPES SHALL EXCEED 2:1 EXCEPT WHERE STABILIZED BY ROCK FACED EMBANKMENTS OR EROSION CONTROL BLANKETS. ALL SLOPES SHALL BE SEEDED AND BANKS WILL BE STABILIZED IMMEDIATELY UPON COMPLETION OF FINAL GRADING UNTIL TURF IS ESTABLISHED.
- DIRECT ALL DEWATERING PUMP DISCHARGE TO A SEDIMENT CONTROL DEVICE THE GUIDELINES WITHIN THE APPROVED LIMIT OF DISTURBANCE IF REQUIRED. DISCHARGE TO STORM DRAINS OR SURFACE WATERS FROM SEDIMENT CONTROLS SHALL BE CLEAR AND APPROVED BY THE PERMITTEE OR MUNICIPALITY.
- THE CONTRACTOR SHALL MAINTAIN A CLEAN CONSTRUCTION SITE AND SHALL NOT ALLOW THE ACCUMULATION OF RUBBISH OR CONSTRUCTION DEBRIS ON THE SITE. PROPER SANITARY DEVICES SHALL BE MAINTAINED ON-SITE AT ALL TIMES AND SECURED APPROPRIATELY. THE CONTRACTOR SHALL TAKE ALL NECESSARY PRECAUTIONS TO AVOID THE SPILLAGE OF FUEL OR OTHER POLLUTANTS ON THE CONSTRUCTION SITE AND SHALL ADHERE TO ALL APPLICABLE POLICIES AND REGULATIONS RELATED TO SPILL PREVENTION AND RESPONSE/CONTAINMENT.
- MINIMIZE LAND DISTURBANCES. SEED AND MULCH DISTURBED AREAS WITH TEMPORARY MIX AS SOON AS PRACTICABLE (2 WEEK MAXIMUM UNSTABILIZED PERIOD) USING PERENNIAL RYEGRASS AT 40 LBS PER ACRE. MULCH ALL CUT AND FILL SLOPES AND SWALES WITH LOOSE HAY AT A RATE OF 2 TONS PER ACRE. IF NECESSARY, REPLACE LOOSE HAY ON SLOPES WITH EROSION CONTROL BLANKETS OR JUTE CLOTH. MODERATELY GRADED AREAS, ISLANDS, AND TEMPORARY CONSTRUCTION STAGING AREAS MAY BE HYDROSEEDED WITH TACKIFIER.
- SWEEP AFFECTED PORTIONS OF OFF SITE ROADS ONE OR MORE TIMES A DAY (OR LESS FREQUENTLY IF TRACKING IS NOT A PROBLEM) DURING CONSTRUCTION. FOR DUST CONTROL, PERIODICALLY MOISTEN EXPOSED SOIL SURFACES WITH WATER ON UNPAVED TRAVELWAYS TO KEEP THE TRAVELWAYS DAMP. CALCIUM CHLORIDE MAY ALSO BE APPLIED TO ACCESS ROADS. DUMP TRUCK LOADS EXITING THE SITE SHALL BE COVERED.
- TURF ESTABLISHMENT SHALL BE PERFORMED OVER ALL DISTURBED SOIL, UNLESS THE AREA IS UNDER ACTIVE CONSTRUCTION. IT IS COVERED IN STONE OR SCHEDULED FOR PAVING WITHIN 30 DAYS. TEMPORARY SEEDING OR NON-LIVING SOIL PROTECTION OF ALL EXPOSED SOILS AND SLOPES SHALL BE INITIATED WITHIN THE FIRST 7 DAYS OF SUSPENDING WORK IN AREAS TO BE LEFT LONGER THAN 30 DAYS.
- MAINTAIN ALL PERMANENT AND TEMPORARY SEDIMENT CONTROL DEVICES IN EFFECTIVE CONDITION THROUGHOUT THE CONSTRUCTION PERIOD. UPON COMPLETION OF WORK SWEEP CONCRETE PADS, CLEAN THE STORMWATER MANAGEMENT SYSTEMS AND REMOVE ALL TEMPORARY SEDIMENT CONTROLS ONCE THE SITE IS FULLY STABILIZED AND APPROVAL HAS BEEN RECEIVED FROM PERMITTEE OR THE MUNICIPALITY.
- SEEDING MIXTURES SHALL BE NEW ENGLAND SEMI-SHADE GRASS AND FORBS MIX (SEE SITE DETAILS SHEET DN-1), OR APPROVED EQUAL BY OWNER.

SEDIMENT & EROSION CONTROL NARRATIVE

- THE PROJECT INCLUDES THE REMOVAL OF SOME TREES ALONG THE WEST SIDE OF THE PARKING LOT FOR THE INSTALLATION OF SOLAR CARPORT FACILITIES WITH ASSOCIATED EQUIPMENT.

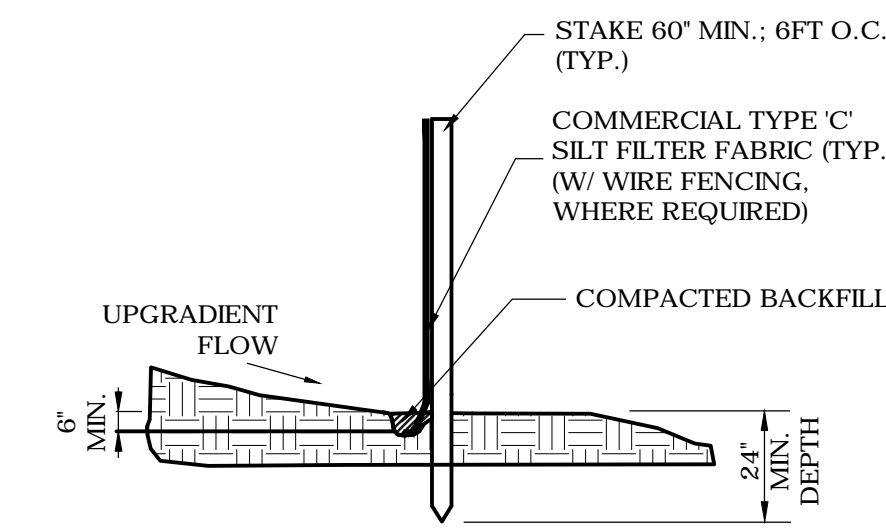
THE PROPOSED PROJECT INVOLVES THE FOLLOWING CONSTRUCTION:
A. CONSTRUCTION OF TWO SOLAR CARPORTS AND ASSOCIATED EQUIPMENT.
B. THE STABILIZATION OF DISTURBED AREAS WITH PERMANENT GRASS TREATMENTS OR PAVEMENT REPAIR.
- FOR THIS PROJECT, THERE IS MINIMAL SITE DISTURBANCE WITH NO INCREASE IN THE IMPERVIOUS AREA OF THE SITE.
- THE PROJECT SITE, AS MAPPED IN THE SOIL SURVEY OF THE STATE OF CONNECTICUT VERSION 19, SEP 13, 2019, CONTAINS TYPE D SOILS. A GEOTECHNICAL ENGINEERING REPORT HAS BEEN COMPLETED BY DOWN TO EARTH CONSULTING, LLC JANUARY 3, 2020 FOR THIS PROJECT.
- IT IS ANTICIPATED THAT CONSTRUCTION WILL BE COMPLETED IN APPROXIMATELY 3 MONTHS.
- REFER TO THE CONSTRUCTION SEQUENCING AND EROSION AND SEDIMENTATION NOTES FOR INFORMATION REGARDING SEQUENCING OF MAJOR OPERATIONS IN THE ON-SITE CONSTRUCTION PHASES.
- CONSERVATION PRACTICES TO BE USED DURING CONSTRUCTION AREA:
A. STAGED CONSTRUCTION;
B. MINIMIZE THE DISTURBED AREAS DURING CONSTRUCTION;
C. STABILIZE DISTURBED AREAS AS SOON AS POSSIBLE WITH TEMPORARY OR PERMANENT MEASURES;
D. MINIMIZE IMPERVIOUS AREAS;
E. UTILIZE APPROPRIATE CONSTRUCTION EROSION AND SEDIMENTATION MEASURES.

SUGGESTED CONSTRUCTION SEQUENCE

THE FOLLOWING SUGGESTED SEQUENCE OF CONSTRUCTION ACTIVITIES IS PROJECTED BASED UPON ENGINEERING JUDGEMENT AND BEST MANAGEMENT PRACTICES. THE CONTRACTOR MAY ELECT TO ALTER THE SEQUENCING TO BEST MEET THE CONSTRUCTION SCHEDULE, THE EXISTING SITE ACTIVITIES AND WEATHER CONDITIONS.

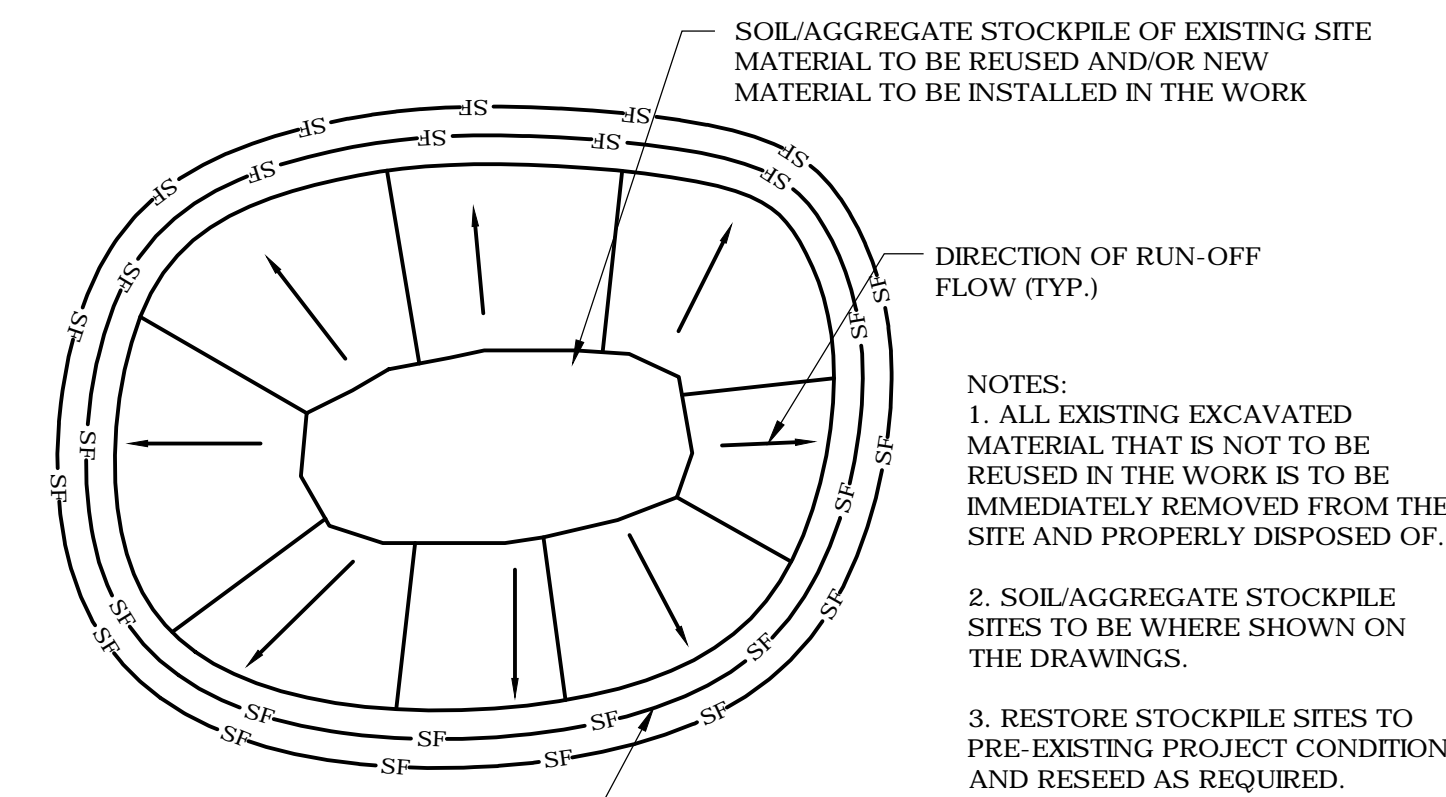
- SCHEDULE A PRE-CONSTRUCTION MEETING. PHYSICALLY FLAG THE LIMITS OF CLEARING IN THE FIELD AS NECESSARY TO FACILITATE THE PRE-CONSTRUCTION MEETING.
- CONDUCT A PRE-CONSTRUCTION MEETING WITH OWNER TO DISCUSS THE PROPOSED WORK AND EROSION AND SEDIMENTATION CONTROL MEASURES. THE MEETING SHOULD BE ATTENDED BY THE OWNER, THE OWNER REPRESENTATIVE(S), THE GENERAL CONTRACTOR, DESIGNATED SUB-CONTRACTORS AND THE PERSON, OR PERSONS, RESPONSIBLE FOR THE IMPLEMENTATION, OPERATION, MONITORING AND MAINTENANCE OF THE EROSION AND SEDIMENTATION MEASURES. THE CONSTRUCTION PROCEDURES FOR THE ENTIRE PROJECT SHALL BE REVIEWED AT THIS MEETING.
- NOTIFY TOWN OF KILLINGLY AT LEAST FORTY-EIGHT (48) HOURS PRIOR TO COMMENCEMENT OF ANY DEMOLITION, CONSTRUCTION OR REGULATED ACTIVITY ON THIS PROJECT. NOTIFY CALL BEFORE YOU DIG AT 1-800-922-4455.
- INSTALL THE EROSION AND SEDIMENTATION CONTROL MEASURES AND, IF APPLICABLE, TREE PROTECTION.
- PERFORM THE CLEARING AS NECESSARY. REMOVE CUT WOOD AND STOCKPILE FOR FUTURE USE OR REMOVE OFF-SITE. REMOVE AND DISPOSE OF DEMOLITION DEBRIS OFF-SITE.
- TEMPORARILY SEED DISTURBED AREAS NOT UNDER CONSTRUCTION FOR THIRTY (30) DAYS OR MORE.
- INSTALL ELECTRICAL CONDUIT.
- INSTALL FOUNDATIONS, CARPORTS, AND SOLAR PANELS.
- AFTER SUBSTANTIAL COMPLETION OF THE INSTALLATION OF THE SOLAR PANELS, COMPLETE REMAINING SITE WORK AND STABILIZE ALL DISTURBED AREAS.
- FINE GRADE, RAKE, SEED AND MULCH ALL REMAINING DISTURBED AREAS.
- AFTER THE SITE IS STABILIZED AND WITH THE APPROVAL OF THE TOWN OF KILLINGLY, REMOVE EROSION AND SEDIMENTATION CONTROLS.

CONSTRUCTION OPERATION AND MAINTENANCE PLAN - BY CONTRACTOR		
E&S MEASURE	INSPECTION SCHEDULE	MAINTENANCE REQUIRED
SILT FENCE	WEEKLY & WITHIN 24 HOURS OF RAINFALL > 0.25"	REPAIR/REPLACE WHEN FAILURE OR DETERIORATION IS OBSERVED. REMOVE SILT WHEN IT REACHES 1/2 THE HEIGHT OF THE FENCE.
TOPSOIL/BORROW STOCKPILES	DAILY	REPAIR/REPLACE SEDIMENT BARRIERS AS NECESSARY.
SILT SACKS	WEEKLY & WITHIN 24 HOURS OF RAINFALL > 0.25"	REPAIR/REPLACE WHEN FAILURE OR DETERIORATION IS OBSERVED. REMOVE SILT WHEN IT REACHES 1/2 THE CAPACITY OF THE SILT SACK



NOTES:
SILT FENCE SHALL BE PLACED ON CONTOUR.

1 SILT FENCE DETAIL
SCALE : NTS



NOTES:
1. ALL EXISTING EXCAVATED MATERIAL THAT IS NOT TO BE REUSED IN THE WORK IS TO BE IMMEDIATELY REMOVED FROM THE SITE AND PROPERLY DISPOSED OF.
2. SOIL/AGGREGATE STOCKPILE SITES TO BE WHERE SHOWN ON THE DRAWINGS.
3. RESTORE STOCKPILE SITES TO PRE-EXISTING PROJECT CONDITION AND RESEED AS REQUIRED.
4. STOCKPILE HEIGHTS MUST NOT EXCEED 35'. STOCKPILE SLOPES MUST BE 2:1 OR FLATTER.

2 MATERIALS STOCKPILE DETAIL
SCALE : NTS



127 WASHINGTON AVE.
WEST BUILDING, GARDEN LEVEL
NORTH HAVEN, CT 06473



567 VAUXHAUL STREET EXTENSION - SUITE 311
WATERFORD, CT 06385 PHONE: (860)-663-1697
WWW.ALLPOINTSTECH.COM FAX: (860)-663-0935

CSC PERMIT SET

NO	DATE	REVISION
0	07/23/20	FOR CLIENT REVIEW
1	07/31/20	FOR CLIENT REVIEW
2		
3		
4		
5		
6		

DESIGN PROFESSIONAL OF RECORD

PROF. BRADLEY J. PARSONS P.E.
COMP: ALL-POINTS TECHNOLOGY CORPORATION
ADD: 567 VAUXHAUL STREET EXTENSION - SUITE 311 WATERFORD, CT 06385

OWNER: TOWN OF GLASTONBURY
ADDRESS: POLICE STATION/HIGHLAND SCHOOL
GLASTONBURY, CT 06033

GLASTONBURY PD CARPORT

SITE 2108 MAIN STREET
ADDRESS: GLASTONBURY, CT 06033

APT FILING NUMBER: CTS31170

DATE: 07/23/20 DRAWN BY: CSH
CHECKED BY: BJP

SHEET TITLE: SEDIMENTATION & EROSION CONTROL NOTES

SHEET NUMBER:

DN-3

