

TOWN OF GLASTONBURY

INVITATION TO BID

<u>BID #</u>	<u>ITEM</u>	<u>DATE & TIME REQUIRED</u>
GL-2018-18	Air Conditioning Installation at Four Elementary Schools	April 03, 2018 @ 11:00 a.m.

The Town of Glastonbury is seeking bids for the installation of VRF Air Conditioning systems at Four Elementary Schools: Buttonball Lane Elementary School, Hopewell School, Hebron Avenue School and Naubuc School.

A mandatory pre-bid meeting and site walk through will be held at the Buttonball Lane School, 376 Buttonball Lane, Glastonbury, CT on March 21, 2018 at 2:00 p.m.

Bid Forms may be downloaded from the Town's website at www.glastonbury-ct.gov or the State of Connecticut Department of Administrative Services website at www.das.state.ct.us at no cost.

Prevailing Wages: The contractor must comply with Section 31-53 of the Connecticut General Statutes as amended, including annual adjustments in prevailing wages.

Bid Security shall be issued payable to the "Town of Glastonbury" in the form of a certified check or Bid Bond in an amount not less than 10% of the total amount of the base bid. The Bid Bond must be issued by a surety company licensed in the State of Connecticut. Cashier's checks will not be accepted.

The Town reserves the right to waive informalities or reject any part of, or the entire bid, when said action is deemed to be in the best interest of the Town. All Sealed Bids must be submitted to the Office of the Purchasing Agent no later than the time and date indicated. All bids will be publicly opened and read.

The Town of Glastonbury is an Affirmative Action/Equal Opportunity Employer. Minority/Women/Disadvantaged Business Enterprises are encouraged to bid.

Mary F. Visone
Purchasing Agent

TABLE OF CONTENTS

SECTION

Invitation to Bid	
Table of Contents	TC - 1
Information for Bidders	IB 1-4
General Construction Specifications	GCS 1-6
Special Conditions	SC 1-3
Insurance Requirements	IR 1
Board of Ed Contractor Compliance Form	CCF 1-3
School Calendars	2 pages
Bid Proposal	BP 1-2
Wage Rates	15 pages
Project Manual	107 pages
Drawings	25 pages

1. Sealed bids (**one original and one copy**) on the attached Bid Forms will be received at the Office of the Purchasing Agent, Town Hall, 2155 Main Street, Glastonbury, Connecticut, 06033 (second level). At the designated time of opening, they will be publicly opened, read, recorded and placed on file.
2. Whenever it is deemed to be in the best interest of the Town, the Town Manager, Purchasing Agent or designated representative shall waive informalities in any and all bids. The right is reserved to reject any bid, or any part of any bid, when such action is deemed to be in the best interest of the Town of Glastonbury.
3. The Town intends to award this work to the lowest qualified, responsible and responsive bidder with resources available to meet the schedule specified herein. Bidders shall submit a bid on a lump sum basis for all line items in the Base Bid. The basis of award will be based upon the sum of the Base Bid line items selected by the Owner. The Town reserves the right to make a partial award of any combination of line items in the lump sum base bid or to split the award to more than one bidder, as deemed in the Town's best interest.
4. Bids will be carefully evaluated as to conformance with stated specifications.
5. The envelope enclosing your bid should be clearly marked by your company name and address, bid number, time of bid opening, and date.
6. Specifications must be submitted complete in every detail and, when requested, samples shall be provided. If a bid involves any exception from stated specifications, they must be clearly noted as exceptions, underlined, and attached to the bid.
7. The Bid Documents contain the provisions required for the requested item. Information obtained from an officer, agent, or employee of the Town or any other person shall not affect the risks or obligations assumed by the Bidder or relieve him/her from fulfilling any of the conditions of the bid.
8. Each Bidder is held responsible for the examination and/or to have acquainted themselves with any conditions at the job site which would affect their work before submitting a bid. Failure to meet these criteria shall not relieve the Bidder of the responsibility of completing the bid without extra cost to the Town of Glastonbury.
9. Any bid may be withdrawn prior to the above-scheduled time for the opening of bids or authorized postponement thereof. Any bid received after the time and the date specified shall not be considered. No bidder may withdraw a bid within sixty (60) days after the actual date of the opening thereof. Should there be reasons why a bid cannot be awarded within the specified period, the time may be extended by mutual agreement between the Town and the Bidder.
10. Each bid must be accompanied by a bid bond payable to the Town for ten percent (10%) of the total amount of the bid. The bid bond of the successful bidder will be retained until the payment bond and performance bond have been executed and approved, after which it will be returned. A certified check may be used in lieu of a bid bond. The Town of Glastonbury will not be liable for the accrual of any interest on any certified check submitted. Cashier's checks will not be accepted.
11. A 100% Performance Bond and a 100% Payment bond is required of the successful bidder. The bonds shall cover all aspects of the specification and shall be delivered to the Purchasing Agent prior

to the issuance of a purchase order. The Performance and Payment Bonds will be returned upon the delivery and acceptance of the bid items.

12. The Bidder agrees and warrants that in the submission of this sealed Bid, they will not discriminate or permit discrimination against any person or group of persons on the grounds of race, color, religion, national origin, sex, or physical disability including, but not limited to blindness, unless it is shown by such Bidder that such disability prevents performance of that which must be done to successfully fulfill the terms of this sealed Bid or in any manner which is prohibited by the laws of the United States or the State of Connecticut: and further agrees to provide the Human Relations Commission with such information requested by the Commission concerning the employment practices and procedures of the Bidder. An Affirmative Action Statement will be required by the successful Bidder.
13. Bidder agrees to comply with all of the latest Federal and State Safety Standards and Regulations and certifies that all work required in this bid will conform to and comply with said standards and regulations. Bidder further agrees to indemnify and hold harmless the Town for all damages assessed against the Town as a result of Bidder's failure to comply with said standards and/or regulations.
14. All correspondence regarding any purchase made by the Town of Glastonbury shall reference the Town purchase order number. Each shipping container shall clearly indicate both purchase order number and item number.
15. Bidder is required to review the Town of Glastonbury Code of Ethics adopted July 8th, 2003 and effective August 1, 2003 and revised October 29, 2013 and effective November 8, 2013. Bidder shall acknowledge that they have reviewed the document in the area provided on the bid / proposal response page (BP). The selected Bidder will also be required to complete and sign an Acknowledgement Form prior to award. The Code of Ethics and the Consultant Acknowledgement Form can be accessed at the Town of Glastonbury website at www.glastonbury-ct.gov. Upon entering the website click on **Bids & Proposals Icon**, which will bring you to the links for the **Code of Ethics** and the **Consultant Acknowledgement Form**. If the Bidder does not have access to the internet a copy of these documents can be obtained through the Purchasing Department at the address listed within this bid / proposal.
16. Any bidder, in order to be considered, shall be engaged primarily in the business of construction/HVAC with for minimum of five (5) years and have a valid HVAC contractor's license in the State of Connecticut.
17. **Non-Resident Contractors (IF APPLICABLE):Resident Contractors:**

Upon award the Town is required to report names of nonresident (out of state) Contractors to the State of Connecticut, Department of Revenue Services (DRS) to ensure that Employment Taxes and other applicable taxes are being paid by Contractors. **A single surety bond for 5% of the entire contract price is required to be filed with DRS by any unverified nonresident prime or general contractor (if awarded) where the contract price for the project is \$250,000 or more.** The contractor will be required to promptly furnish to the Town a copy of the **Form AU-968 - Certificate of Compliance** issued by the State of Connecticut, DRS. See State of Connecticut **Notice SN 2012 (2)**.

18. Bidder shall include on a sheet(s) attached to its proposal a complete disclosure of all past and pending mediation, arbitration and litigation cases that the bidder or its principals (regardless of their place of employment) have been involved in for the most recent five years. Please include a statement of the issues in dispute and their resolution. Acceptability of Bidder based upon this disclosure shall lie solely with the Town.
19. Bidder or its principals, regardless of their place of employment, shall not have been convicted of, nor entered any plea of guilty, or nolo contendere, or otherwise have been found civilly liable or criminally responsible for any criminal offense or civil action. Bidder shall not be in violation of any State or local ethics standards or other offenses arising out of the submission of bids or proposals, or performance of work on public works projects or contracts.
20. After award of Contract, Owner will require the Contractor's Schedule of Values, which shall be submitted at the preconstruction meeting. The Schedule of Values must accurately reflect job costs and include a complete breakdown of material and labor costs.

21. Prevailing Wage Rates:

Bidders shall comply with State Statutes concerning Employment and Labor Practices, if applicable, and Section 31-53 of the Connecticut General Statutes, as amended (Prevailing Wages). Wage Rate Determination for this project from the State of Connecticut is included in the Bid Documents. Certified payrolls for site labor shall be submitted weekly to the Town's Representative or his designee on the correct State of Connecticut form. The Town reserves the right to, without prior notice, audit payroll checks given to workers on site in order to ascertain that wages and fringe benefits are being paid as required by the State of Connecticut. Please make special note of the State requirement to adjust wage and fringe benefit rates on each July 1st following the original published rates.

NOTE that bidder is to include in its bid proposal all costs required by such annual increases in the PREVAILING RATES. No Escalation Clauses are to be included in the bidder's proposal and no Escalation Clauses will be in the Contract Agreement. Bidder is to anticipate any future increases and include these costs in its quotation.

Contractor's invoices will not be paid if certified payrolls are incomplete, incorrect or not received in a timely manner.

All Apprentices must be registered with the State of Connecticut and their number shall not exceed the number allowed by law. Otherwise, all workers must be paid at least the Journeyman rate listed including benefits.

OSHA SAFETY AND HEALTH CERTIFICATION: Effective July 1, 2009: Any Mechanic, Laborer, or Worker, who performs work in a classification listed on the prevailing wage rate schedule on any public works project covered under C.G.S. Section 31-53, both on site and on or in the public building, must have completed a federal OSHA Safety and Health course within the last 5 years.

22. Each Bidder shall submit a list of similar projects completed within the last three years. In order to be eligible for consideration, the Bidder must have successfully completed a minimum of five (5) similar commercial or municipal projects within the last three (3) years. Please provide project name

and contact information for project coordinator (name, title, address, phone number). Please also provide contract value.

23. **Compliance with Town Ordinance Prohibiting Natural Gas Waste & Oil Waste From Natural Gas Extraction Activities or Oil Extraction Activities:** If this bid is for the construction, repair or maintenance of Town owned and/or maintained roads or real property within the Town related to either (a) the purchase or acquisition of materials by the Town to be used to construct, repair or maintain any Town owned and/or maintained road or real property within the Town or (b) the performance of services for the Town to construct, repair or maintain any Town owned and/or maintained road or real property within the Town, the Bidder shall provide the following signed statement to the Town in its bid response, which shall be a certification under penalty of perjury by the Bidder:

“The undersigned Bidder, _____, hereby submits a bid for materials, equipment and/or services for the Town of Glastonbury. The bid is for bid documents titled Air Conditioning Installation at 4 Elementary Schools. The undersigned Bidder hereby certifies under penalty of perjury that in connection with the bid and, if it is awarded the purchase order or contract by the Town, in connection with any purchase order or contract: (1) no materials containing natural gas waste or oil waste from natural gas extraction activities or oil extraction activities shall be provided to the Town or shall be used in providing any services to the Town by the undersigned Bidder or any contractor, sub-contractor or agent of the undersigned Bidder; (b) nor will the undersigned Bidder or any contractor, subcontractor or agent of the undersigned Bidder apply any natural gas waste or oil waste from natural gas extraction activities or oil extraction activities to any publicly owned and/or maintained road or real property within the Town of Glastonbury in performing its obligations under the purchase order or contract. The undersigned Bidder hereby agrees and acknowledges that this requirement shall be a term of the purchase order or contract, if it awarded the purchase order or contract by the Town, and any breach of this provision shall be a breach of the purchase order or contract.”

24. For technical questions regarding this Bid, please contact David Sacchitella, Building Superintendent, at (860) 652-7706, email dave.sacchitella@glastonbury-ct.gov. For administrative questions regarding this Bid, please contact Mary F. Visone, Purchasing Agent at (860) 652-7588, email purchasing@glastonbury-ct.gov. The request must be received at least three (3) business days prior to the advertised response deadline. All questions, answers, and/or addenda, as applicable, will be posted on the Town’s website at www.glastonbury-ct.gov (Upon entering the website click on Bids & Proposals Icon; click the Bid Title to view all bid details and document links). It is the respondent’s responsibility to check the website for addenda prior to submission of any proposal.

IMPORTANT:

- Failure to comply with general rules may result in disqualification of the Bidder.
- Municipal projects are exempt from Federal Excise Taxes, as well as, State of Connecticut Sales, Use and Service Taxes and should not be include in the Bidder’s proposal.

01.00 WORKMANSHIP, MATERIALS AND EMPLOYEES

- 01.01 Wherever in this contract the word “Engineer” is used, it shall be understood as referring to the Building Superintendent of the Town of Glastonbury acting personally or through any assistants/consultants duly authorized.
- 01.02 The entire work described herein shall be completed in accordance with the plans and specifications to the full intent and meaning of the same. Unless otherwise specified, all materials incorporated in the permanent work shall be new, and both workmanship and material shall be of good quality. The Contractor shall, if required, furnish satisfactory evidence as to the kind and quality of materials.
- 01.03 The wording “furnish”, “install”, “construct”, “furnish and install”, or any similar terms, unless specifically noted to the contrary, shall include all labor, materials, water, tools, equipment, light, power, transportation, and any other services required for the completion of the work.
- 01.04 The Contractor shall at all times enforce strict discipline and good order among his employees, and shall seek to avoid employing on the work any unfit person or anyone not skilled in the work assigned to him.

02.00 SUPERINTENDENT

- 02.01 The Contractor shall keep on the work during its progress, in the absence of the Contractor, a competent Superintendent. The Superintendent shall be acceptable to the Engineer and shall fully represent the Contractor. All directions given to the Superintendent shall be binding as if given to the Contractor.

03.00 PRECONSTRUCTION MEETING

- 03.01 A Preconstruction Meeting will be held with the Engineer, Contractor, and any other interested parties prior to commencing any work. The Engineer shall arrange the meeting based on a mutually convenient time.

04.00 PERMITS

- 04.01 All permits, licenses, and fees required for the performance of the Contract work shall be secured and paid for by the Contractor. The local building permit fees will be waived.

05.00 PROPERTY ACCESS

- 05.01 The Contractor shall take all proper precautions to protect from injury or unnecessary interference, and provide proper means of access to abutting property where the existing access is cut off by the Contractor.
- 05.02 The Contractor shall take all proper precautions to protect persons from injury or unnecessary inconvenience and leave an unobstructed way along the public and private places for travelers, vehicles, and access to hydrants.

05.03 The Contractor shall make arrangements with the adjacent property owners for such trespass as he may reasonably anticipate in the performance of the work. All such arrangements shall be reported, in writing, to the Engineer.

06.00 PROTECTION OF THE PUBLIC AND OF WORK AND PROPERTY

06.01 The Contractor shall continuously maintain adequate protection of all work from damage, and shall take all reasonable precautions to protect the Town from injury or loss arising in connection with the Contract.

06.02 The Contractor shall adequately protect adjacent private and public property as provided by law and the Contract Documents.

06.03 The Contractor shall make good any damage, injury, or loss of work and to the property of the Town resulting from lack of reasonable protective precautions.

06.04 The school buildings involved will be considered occupied while school is in session. The Contractor will be required to adjust his work schedule should the work have an adverse impact on school operations. There will be no modification of the bid price should a schedule adjustment be required.

07.00 EXISTING IMPROVEMENTS

07.01 The Contractor shall conduct his work so as to minimize damage to existing improvements designated to remain. Except where specifically stated otherwise in the specifications, drawings, or as directed by the Engineer, it will be the responsibility of the Contractor to restore to their original condition, as near as practical, all improvements on public or private property. This shall include:

- a. Property within and adjacent to the work area such as shrubs, walks, driveways, fences, etc.
- b. Utility mains, ducts, poles, and services. The Contractor is hereby notified that utilities, if/where shown on the plans, are at approximate locations. These locations are subject to possible errors in the source of information and errors in transcription. The Contractor shall make certain of the exact location of all mains, ducts, poles, and services prior to excavation.

08.00 SEPARATE CONTRACTS

08.01 The Engineer reserves the right to let other contracts in connection with this work. The Contractor shall afford other contractors reasonable opportunity for the introduction and storage of their materials and the execution of their work, and shall properly connect and coordinate his work with theirs. Wherever work being done by the Town of Glastonbury forces or by other contractors is contiguous to work covered by this Contract, the respective rights of the various interests involved shall be established by the Engineer to secure the completion of the various portions of the work.

09.00 INSPECTION OF WORK

09.01 The Town shall provide sufficient personnel for the inspection of the work.

- 09.02 The Engineer shall at all times have access to the work whenever it is in preparation or progress, and the Contractor shall provide proper facilities for such access and for inspection.
- 09.03 If the specifications or the Engineer's instructions require any work to be specially tested or approved, the Contractor shall give the Engineer timely notice of its readiness for inspection and, if the inspection is by another authority other than the Engineer, of the date fixed for such inspection. Inspections by the Engineer shall be made promptly. If any work should be covered up without approval or consent of the Engineer, it must, if required by the Engineer, be uncovered for examination and properly restored at the Contractor's expense.
- 09.04 Re-inspection of any work may be ordered by the Engineer. If such work is found to be in accordance with the Contract Documents, the Town shall pay the cost of re-inspection and replacement. If such work is not in accordance with the Contract Documents, the Contractor shall pay such cost.

10.00 RIGHT TO INCREASE OR DECREASE WORK

- 10.01 The Town shall have the right to increase or decrease the amount of work herein specified as may be required.

11.00 RIGHT OF ENGINEER TO STOP WORK FOR WEATHER CONDITIONS

- 11.01 Should the work, in the opinion of the Engineer, be in danger by reason of inclemency of weather, or could not be finished in time to prevent such danger, the Contractor shall cease operations upon order of the Engineer, and shall not resume them until ordered to do so by the Engineer when the weather conditions are favorable. The Contractor shall, upon such orders, discontinue work, remove all materials or appliances for or in use upon the work, and place the premises in proper condition for use by the public during the time the work is suspended as herein provided, without cost to the Town.

12.00 CONTRACTOR TO BE RESPONSIBLE FOR IMPERFECT WORK OR MATERIALS

- 12.01 Any faithful work or imperfect material that may be discovered before the acceptance and the payment of the work shall be corrected upon the order of the Engineer. The acceptance and payment of the work does not in any manner relieve the Contractor of his obligation to construct work in the proper manner and the use of materials herein specified.

13.00 TOWN MAY NOTIFY CONTRACTOR IF WORK IS NOT CARRIED ON SATISFACTORILY

- 13.01 If, in the opinion of the Engineer, the Contractor is not proceeding with the work at a sufficient rate of progress so as to finish in the time specified, or has abandoned said work, or is not complying with the terms and stipulations or the Contract and specifications, the Engineer may serve notice on the Contractor to adopt such methods as will ensure the completion of the work in the time specified.
- 13.02 If, within five days after the Engineer has notified the Contractor that his work is not being carried on satisfactorily as before mentioned, the Engineer shall have the right to annul the

Contract and manage the work under the direction of the Engineer, or re-let, for the very best interest of the Town as a new contract, the work under said new Contract shall be considered the responsibility of the defaulting Contractor.

- 13.03 Additional costs incurred over and above the original Contract shall be borne by the Performance Bond.

14.00 DEDUCTIONS FOR UNCORRECTED WORK

- 14.01 If the Engineer deems it inexpedient to correct work that has been damaged or that was not done in accordance with the Contract, an equitable deduction from the Contract price shall be made there for.

- 14.02 The Contractor shall promptly remove from the premises all materials condemned by the Engineer as failing to meet Contract requirements, whether incorporated in the work or not, and the Contractor shall promptly replace and re-execute his own work in accordance with the Contract and without expense to the Town, and shall bear the expense of making good all work by other contractors destroyed or damaged by such removal or replacement.

- 14.03 If the Contractor does not remove such condemned work and materials as promptly as possible after written notice, the Engineer may remove them and store the materials at the expense of the Contractor.

15.00 CLEANING UP

- 15.01 The Contractor must remove all debris of every description as the work progresses and leave the surroundings in a neat and orderly condition to the satisfaction of the Engineer.

- 15.02 Upon completion, and before acceptance and final payment, the Contractor shall remove from the site all equipment, forms, surplus material, rubbish and miscellaneous debris and leave the site in a neat and presentable condition.

16.00 ROYALTIES AND PATENTS

- 16.01 The Contractor shall pay all royalties and license fees. He shall defend all suits or claims for infringement of any patent rights and shall save the Town of Glastonbury harmless from loss on account hereof, except that the Town of Glastonbury shall be responsible for all such loss when a particular manufacturer, product, or process is specified by the Town of Glastonbury.

17.00 ERRORS OR CONFLICT IN DRAWINGS AND SPECIFICATIONS

- 17.01 The Contractor shall immediately notify the Owner/Engineer should he find any errors or conflicts in the contract documents. The Owner/Engineer shall render his interpretation or instruction in writing on the items as soon as possible.

- 17.02 Any work undertaken by the Contractor containing possible errors or conflicts will be done at his own risk unless he has received prior written approval from the Owner/Engineer.

17.03 The Contractor shall be responsible for estimating and supplying all quantities, and where clarification or additional information is required, a request in writing to the Owner/Engineer shall be made. No extra charge or compensation will be allowed the Contractor unless there is a change in scope or dimension of the project resulting in need for extra material, equipment and/or labor. Said differences are to be handled under Article 18.

18.00 EXTRA WORK AND EXTRA COST

18.01 The Owner, without invalidating the contract documents, may order extra work or make changes by altering, adding to or deducting from the work, the contract price being adjusted accordingly. All such work shall be executed under the conditions of the original contract except that any claim of extension of time caused thereby shall be adjusted at the time of ordering the change.

18.02 No extra work or change shall be performed unless in pursuance of a written order from the Owner/Engineer, with the agreed price prior to the commencement of the work, and no claim for an addition to the contract price shall be valid unless so ordered. All extra work requests shall include detailed labor, material and mark up costs to be considered.

18.03 All requests for extra cost shall be itemized by labor, material and markup at a minimum. The value of any such work or change shall be determined, in one or more of the following ways:
a) By unit prices named in the contract or subsequently agreed upon.
b) By cost and percentage or by cost and a final fee.

19.00 SUBSTITUTIONS

19.01 The Contractor shall use materials as specified unless material list is of an open nature. Material other than specified will be permitted only after written application, including four (4) copies of specifications, is made by the Contractor and written approval received from the Engineer or Owner. It is the Contractor's responsibility to demonstrate clearly how the substitution is equal to or better than the specified and associated cost savings to Town.

The material installed in the job site shall be new and of the quality specified.

The manufacturer's recommendation shall be followed for the installation of all equipment.

20.00 PRODUCT SUBMITTALS

20.01 Prior to ordering materials, the Contractor shall submit submittals as specified in the detailed specification sections. Three (3) copies of the submittals shall be forwarded to the Engineer for review and approval.

20.02 Submittals shall indicate specification Section for each product. Submittals not containing all the required information shall be returned to the contractor for re-submittal.

21.00 OWNER'S ACCEPTANCE

21.01 Within seven (7) days of the Contractor's notification that the installation is substantially complete, the Owner's authorized representative shall inspect the installation. The Owner, with the Contractor, shall take necessary steps to inspect the installation. Upon completion of the

inspection, the Owner or the Owner's authorized representative may either accept the work outright or prepare a "Punch List" that upon completion by the Contractor and acceptance by the Owner will signify final acceptance provided that all other applicable terms and provisions of the Contract have been completed to the Owner's satisfaction.

22.00 RESPONSIBILITY FOR MAINTENANCE / SERVICE BY THE CONTRACTOR

22.01 It will be the Contractor's responsibility to maintain the work as specified in the detailed specifications during the warranty period.

23.0 WARRANTY

23.01 The guarantee shall be as specified in the respective sections of the specification.

23.02 The Contractor shall be responsible for the repair and/or replacement of all defective work and materials. All repair work shall be completed in a timely fashion.

23.03 Should the Contractor not respond promptly, the Owner may take any action he deems necessary to repair the defect and prevent further damage to his property, including the hiring of another contractor, or the repairing of such a defect with material supplied by the Contractor. In this event, the Contractor shall be liable for expenses incurred and property damages suffered by the Owner.

01.00 NOTICE TO CONTRACTOR

- 01.01 Intent of Contract: The intent of the Contract is to prescribe a complete work or improvement which the Contractor undertakes to do, in full compliance with the specifications, plans, special provisions, proposal and Contract. The Contractor shall perform all work in close conformity with the plans or as modified by written orders, including the furnishing of all materials, supplies, transportation, labor, and all other things necessary to the satisfactory prosecution and completion of the project.

The scope of the work shall include all labor, materials and equipment needed to provide and install VRF Air Conditioning systems and associated materials, complete and ready for use, as described in the plans and specifications for Air Conditioning Installation in Four Elementary Schools in Glastonbury, CT.

02.00 COMMUNICATIONS

- 02.01 All notices, demands, requests, instructions, approvals, proposals, and claims must be in writing.
- 02.02 Any notice to, or demand upon, the Contractor shall be sufficiently given if delivered at the office of the Contractor stated on the signature page of the Agreement (or at such other office as the Contractor may, from time to time, designate) in a sealed, postage-prepaid envelope or delivered with charges prepaid to any telegraph company for transmission, in each case addressed to such office.
- 02.03 All papers required to be delivered to the Town shall, unless otherwise specified in writing to the Contractor, be delivered to the Building Superintendent, 2143 Main Street, Glastonbury, CT 06033, and any notice to, or demand upon, the Town shall be delivered at the above address in a sealed, postage-prepaid envelope or delivered with charges prepaid to any telegraph company for transmission, in each case addressed to such office or to such other representatives of the Town, or to such other address as the Town may subsequently specify in writing to the Contractor for such purpose.
- 02.04 Any such notice shall be deemed to have been given as of the time of actual delivery or, in case of mailing, when the same should have been received in due course of post or, in the case of telegrams, at the time of actual receipt, as the case may be.

03.00 WORK BY OTHERS

- 03.01 Private utilities, contractors, developers or other parties may be expected to be working within the Contract area during this Contract. It shall be the responsibility of the contractor to coordinate his work with the work being done by others in order that the construction shall proceed in an efficient and logical manner. The Contractor shall have no claim or claims whatever against the Town, the Engineer, or other parties due to delays or other reasons caused by the work by others or his failure to coordinate such work.

04.00 CONTRACTOR'S WORK AND STORAGE AREA

- 04.01 The Contractor shall contact the Town to determine if any specific locations will be designated, or gain its approval prior to using any area for storage of equipment, materials and trailers during

the period of this Contract. The Contractor shall confine his work/storage area to the limits as designated or approved and shall be responsible for the security of the work/storage area. Upon completion of the Contract, the Contractor shall remove all equipment and materials, except as otherwise specified, and restore the site to its original condition as approved by the Engineer and at no cost to the Town.

05.00 DISPOSAL AREA

05.01 The Tryon Street Bulky Waste Facility will be available to the Contractor, at no charge, for disposal of materials that are accepted at that facility. No materials containing lead-based paint of any level shall be dumped at the Tryon Street facility. The Contractor is required to obtain a disposal area for all other unsuitable or surplus materials at no cost to the Town.

06.00 DUST CONTROL

06.01 During the progress of the work, the Contractor shall conduct his operations and maintain the area of his activities so as to minimize the creation and dispersion of dust. If the Engineer decides that it is necessary to use water or calcium chloride for more effective dust control, the Contractor shall furnish and spread the material, as directed, without additional compensation.

07.00 PROTECTION OF EXISTING UTILITIES

07.01 Before starting any excavation, the Contractor shall submit to the Engineer plans or details showing the proposed method the Contractor will use to support and protect all existing utilities during construction. The furnishing of such plans and details shall not serve to relieve the Contractor of any responsibility for the proper conduct of the work.

07.02 There will be no extra payment for submitting plans or details for supporting and protecting all existing utilities during construction.

08.00 TIME FOR COMPLETION/NOTICE TO PROCEED

08.01 Within ten (10) calendar days after the date of the Notice of Award, the Contractor must provide the appropriate insurance certificates to the Town Purchasing Agent and shall be issued a Notice to Proceed and a Purchase Order prior to initiating any work on the project.

08.02 Work shall commence within fifteen (15) days of the date of the Notice to Proceed/Purchase Order.

08.03 After the work has begun, it will continue in an orderly fashion and shall be fully completed by the date indicated below. The Engineer reserves the right to extend the contract an additional thirty (30) days by mutual written agreement.

08.04 It is the intention of the Town to have all work required under this Contract completed no later than August 1, 2018. In no case, however, shall the work be completed any later than August 17, 2018.

08.05 Because the facilities remain available to Board of Education custodial and maintenance staff during the installation period, the Contractor shall make every reasonable effort to complete the installation as expeditiously as possible.

09.00 MEASUREMENT AND PAYMENT

09.01 All direct, indirect, or incidental costs of work and/or services required by these specifications shall be included in the Lump Sum price.

09.02 Monthly progress payments will be made, based on the approved Schedule of Values, for work that has progressed in accordance with the contract documents, subject to a deduction of five percent (5%) of the amount of the application for payment to be retained by the Owner until completion of the entire contract in an acceptable manner and two and one half percent (2.5%) until the applicable one year warranty period has expired and all required inspections have been completed and results have been submitted and approved by the Engineer.

10.00 COMPLIANCE WITH APPLICABLE FEDERAL, STATE AND LOCAL REQUIREMENTS

10.01 This award of bid is subject to the conformance of the Contractor to all Federal, State, and Local laws, statutes, regulations, ordinances or other requirements that are applicable to the type of work contained in these specifications.

INSURANCE

The Bidder shall, at its own expense and cost, obtain and keep in force during the entire duration of the Project or Work the following insurance coverage covering the Bidder and all of its agents, employees and sub-contractors and other providers of services and shall name the **Town of Glastonbury and Board of Education and their employees and agents as an Additional Insured** on a primary and non-contributory basis to the Bidders Commercial General Liability and Automobile Liability policies. **These requirements shall be clearly stated in the remarks section on the Bidders Certificate of Insurance.** Insurance shall be written with insurance carriers approved in the State of Connecticut and with a minimum Best's Rating of A-VIII. In addition, all carriers are subject to approval by the Town. Minimum Limits and requirements are stated below:

1) Worker's Compensation Insurance:

- Statutory Coverage
- Employer's Liability
- \$500,000 each accident/\$500,000 disease-policy limit/\$500,000 disease each employee
- A Waiver of Subrogation shall be provided in favor of the Town of Glastonbury and Board of Education and their employees and agents.

2) Commercial General Liability:

- Including Premises & Operations, Products and Completed Operations, Personal and Advertising Injury, Contractual Liability and Independent Contractors.
- Limits of Liability for Bodily Injury and Property Damage
Each Occurrence \$1,000,000
Aggregate \$2,000,000 (The Aggregate Limit shall apply separately to each job.)
- A Waiver of Subrogation shall be provided in favor of the Town of Glastonbury and Board of Education and their employees and agents.

3) Automobile Insurance:

- Including all owned, hired, borrowed and non-owned vehicles
- Limit of Liability for Bodily Injury and Property Damage: Per Accident \$1,000,000
- A Waiver of Subrogation shall be provided in favor of the Town of Glastonbury and Board of Education and their employees and agents.

The Bidder shall direct its Insurer to provide a Certificate of Insurance to the Town before any work is performed. The Contractor shall be responsible to notify the Town 60 days in advance with written notice of cancellation or non-renewal. The Certificate shall evidence all required coverage. The Bidder shall provide the Town copies of any such insurance policies upon request.

INDEMNIFICATION

To the fullest extent permitted by law, the Bidder shall indemnify and hold harmless the Town of Glastonbury and Board of Education, their consultants, agents, and employees from and against all claims, damages, losses and expenses, direct, indirect or consequential (including but not limited to fees and charges of engineers, attorneys and other professionals and court and arbitration costs) to the extent arising out of or resulting from the performance of the Bidder's work, provided that such claim, damage, loss or expense is caused in whole or in part by any negligent act or omission by the Bidder, or breach of its obligations herein or by any person or organization directly or indirectly employed or engaged by the Bidder to perform or furnish either of the services, or anyone for whose acts the Bidder may be liable.

ATTENTION CONTRACTOR

- APPROVED FORM FOR YOUR FILES-NOTE ANY COMMENTS BOTTOM OF PAGE 2 - APPROVAL REQUIREMENTS
- APPLICATION DENIED-SEE BOTTOM PAGE 2

GLASTONBURY PUBLIC SCHOOLS

OFFICES OF DISTRICT SAFETY OFFICERS

Dr. Jill Carey
 Safety Compliance Officer
 Director of Safety Compliance
 Email: careyj@glastonburyus.org

Dr. Kenneth Roy
 Safety Compliance Officer
 Director of Environmental Health & Chemical Safety
 Email: royk@glastonburyus.org

Glastonbury High School
 330 Hubbard Street
 Glastonbury, CT 06033
 Phone: (860) 652-7200 Ext. 2002
 Fax: (860) 652-7275

CONTRACTOR COMPLIANCE PERMIT APPLICATION

Notice to Contractors:

In concert with, but not limited to, all OSHA General Industry and Construction standards, EPA, NFPA, AHERA, and building codes, contractors conducting work activities at/on any Glastonbury Public Schools District property are required to provide the following information to Lori Pacifici (pacificil@glastonburyus.org).

NOTICE: THIS FORM MUST BE COMPLETED AND APPROVED 3 DAYS PRIOR TO COMMENCING ANY OPERATIONS. ALL CONTRACTORS AND SUB CONTRACTORS MUST SUBMIT THEIR OWN PERMIT APPLICATION.

Once approved, the form will be returned to the originator. Approval is conditional relative to noted specifications by GPS Safety Compliance Officers.

1. Project Information:

Project Description:

Location:		
Start Date:	Completion Date:	
Contractor Safety Officer	Phone:	Fax: Email:

Permit Prepared By:

Date Prepared:

Project Scope	Yes	No	Comments
Confined Spaces*	<input type="checkbox"/>	<input type="checkbox"/>	
Electrical Work**	<input type="checkbox"/>	<input type="checkbox"/>	
Forklift	<input type="checkbox"/>	<input type="checkbox"/>	
Hazardous Materials	<input type="checkbox"/>	<input type="checkbox"/>	
Ladders/Scaffolds	<input type="checkbox"/>	<input type="checkbox"/>	
Respirators	<input type="checkbox"/>	<input type="checkbox"/>	
Rigging/Lifting*****	<input type="checkbox"/>	<input type="checkbox"/>	
Welding***	<input type="checkbox"/>	<input type="checkbox"/>	
Asbestos Management****	<input type="checkbox"/>	<input type="checkbox"/>	
Polychlorinated Biphenyls (PCBs) Management – Gideon Welles School only *****	<input type="checkbox"/>	<input type="checkbox"/>	

- * Contractors need to secure, complete and submit a "Confined Space Permit" from a GPS safety compliance officer for approval **3 days PRIOR** to doing any work in a Permit Required Confined Space Area.
- ** Contractors need to secure, complete and submit an "Energized Electrical Work Permit" from a GPS safety compliance officer for approval **3 days PRIOR** to doing any energized electrical work.
- *** Contractors are required to secure, complete and submit a "Hot Work Permit" from a GPS safety compliance officer for approval **3 days PRIOR** to doing any hot work (e.g., welding, etc.).
- **** Contractors need to secure the Asbestos Management Plan from the Director of Environmental Health & Chemical Safety prior to all construction/demolition work.
- ***** A safety plan must be submitted and approved for use of cranes. Copies of current completion documents or certifications of training/operation must be provided.
- ***** Contractors need to secure the PCB Management Plan from the Director of Environmental Health & Chemical Safety prior to all construction/demolition work at Gideon Welles.

2. Provide completion documentation with issuance date for 10-hour OSHA construction safety and health course for any contracted employee working on GPS site. Additional training certificates may be required.
3. Provide district safety officer with Safety Data Sheets (SDS) for all materials used on-site.

LIST EITHER CHEMICAL OR TRADE NAME OF EACH ATTACHED SDS SHEET BELOW	

4. In cases of hazardous waste production, a written disposal plan must be provided to and approved by the district safety officers, 5 days prior to initiation of work for those materials disposed of on site.
5. All contractors and/or their personnel are required to be in compliance with all EPA, NFPA, AHERA and OSHA and other appropriate safety standards when working on site (under the direction of a contractor's project supervisor).
6. All on-site activities carried out by contractors, and/or their employees, must be done in such a manner as to maintain a safer working environment for all Glastonbury Public Schools' employees, students and visitors.
7. Contractor employees found to be in non-compliance may be removed from the District worksite by the District Safety Officer.
8. Contractors found to be in non-compliance will be subject to forfeiture of payment and/or contract termination.
9. The district reserves the right to inspect the worksite at any time for safety compliance.
10. The district may require review of a contractors OSHA 200/300 log for a period of three (3) previous years.
11. A Copy of the "Completion Document" for 10 Hour OSHA training within the last five years for contractor employees working on-site must be provided.

Please type company name and address below

	<p>RETURN TO:</p> <p>Lori Pacifici</p> <p>Secretary – Safety Compliance Office</p> <p>E-mail: pacificil@glastonburyus.org</p>
--	---

By signature, the contractor agrees to adhere to all components and the spirit of this document.		
Signature of Contractor	Title	Date

INTERNAL USE ONLY
APPROVAL STATUS:

Dr. Jill Carey
Director of Safety Compliance

_____ Date:
Signature

- YES
- NO

Dr. Kenneth Roy
Director of Environmental Health & Chemical Safety

_____ Date:
Signature

- YES
- NO

- cc: Building Principal/Supervisor
 Contractor
 Maintenance Office File
 Director of Environmental Health & Chemical Safety
 Director of Safety Compliance
 Other

Revised: 3/14/17

**NOTE TO CONTRACTOR: APPROVAL CONTINGENT ON
THE FOLLOWING ITEMS:**

SCHOOL YEAR AT A GLANCE



2017

2018

SCHOOL BEGINS: AUG 30 Grs. 7-12
SCHOOL BEGINS: AUG 31 Grs. K-6

M	T	W	TH	F
AUGUST 2017 <small>Gr. 7-12 2 Days Gr. K-6 1 Days</small>				
	1	2	3	4
7	8	9	10	11
14	15	16	17	18
21	22	23	24	25
28	29	30	31	

SEPTEMBER 2017 19 DAYS				
				1
4	5	6	7	8
11	12	13	14	15
18	19	20	21	22
25	26	27	28	29

OCTOBER 2017 21 DAYS				
2	3	4	5	6
9	10	11	12	13
16	17	18	19	20
23	24	25	26	27
30	31			

NOVEMBER 2017 19 DAYS				
		1	2	3
6	7	8	9	10
13	14	15	16	17
20	21	22	23	24
27	28	29	30	

DECEMBER 2017 16 DAYS				
				1
4	5	6	7	8
11	12	13	14	15
18	19	20	21	22
25	26	27	28	29

JANUARY 2018 <small>Gr 7-12 20 DAYS Gr. K-6 21 DAYS</small>				
1	2	3	4	5
8	9	10	11	12
15	16	17	18	19
22	23	24	25	26
29	30	31		

Projected Last Day – June 8

M	T	W	TH	F
18 DAYS FEBRUARY 2018				
			1	2
5	6	7	8	9
12	13	14	15	16
19	20	21	22	23
26	27	28		

21 DAYS MARCH 2018				
			1	2
5	6	7	8	9
12	13	14	15	16
19	20	21	22	23
26	27	28	29	30

16 DAYS APRIL 2018				
2	3	4	5	6
9	10	11	12	13
16	17	18	19	20
23	24	25	26	27
30				

22 DAYS MAY 2018				
	1	2	3	4
7	8	9	10	11
14	15	16	17	18
21	22	23	24	25
28	29	30	31	

6 DAYS JUNE 2018				
				1
4	5	6	7	8
11	12	13	14	15
18	19	20	21	22
25	26	27	28	29

***SCHOOL ENDS JUNE 8**

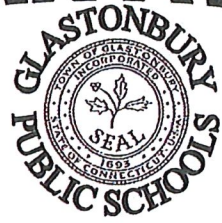
*If weather or other emergencies require the closing of school, the lost days will be made up by extending the school year in June up to 10 days.

If additional days are needed, they will be taken from the Spring Recess, beginning April 9.

AUG 28	Teacher Work Day-Convocation
AUG 29	Teacher Professional Development
<input type="checkbox"/> AUG 30	FIRST DAY OF SCHOOL, GRADES 7-12 Teacher Work Day, Grades K-6
<input type="checkbox"/> AUG 31	FIRST DAY OF SCHOOL, GRADES K-6 FULL DAY
SEPT 4	Labor Day
SEPT 21	Rosh Hashanah
OCT 9	Columbus Day
NOV 7	Election Day - No School for Students
NOV 22	Early Dismissal
NOV 23-24	Thanksgiving Recess
DEC 25- JAN 1	Holiday Recess (Includes New Year's Day)
JAN 15	Martin Luther King Day
JAN 18-23	Grades 7-12: Mid-Term Exams (Early Dismissal Grades 9-12 only)
<input type="checkbox"/> JAN 24	Gr. 7-12 No School for Students Teacher Work Day, Grades 7-12
FEB 19-20	Winter Recess (includes Presidents' Day)
MAR 30	Good Friday
APR 9-13	Spring Recess
MAY 28	Memorial Day
Last 4 Days	Final Exams, Grades 7-12 (Early Dismissal Grades 7-12)
Last Day	Projected Last Day – June 8 Early Dismissal Grades K-12
	Projected Teacher Work Day – June 11 Teacher Work Day will be the first work day following the last day for students.
<input type="checkbox"/>	SCHOOL CLOSED

Approved: September 28, 2015
Revised March 3, 2017

SCHOOL YEAR AT A GLANCE



2018

2019

SCHOOL BEGINS: AUG 29 Grs. 7-12
SCHOOL BEGINS: AUG 30 Grs. K-6

M	T	W	TH	F
AUGUST 2018 <small>Gr. 7-12 3 Days Gr. K-6 2 Days</small>				
		1	2	3
6	7	8	9	10
13	14	15	16	17
20	21	22	23	24
27	28	29	30	31
SEPTEMBER 2018 17 DAYS				
3	4	5	6	7
10	11	12	13	14
17	18	19	20	21
24	25	26	27	28
OCTOBER 2018 22 DAYS				
1	2	3	4	5
8	9	10	11	12
15	16	17	18	19
22	23	24	25	26
29	30	31		
NOVEMBER 2018 19 DAYS				
			1	2
5	6	7	8	9
12	13	14	15	16
19	20	21	22	23
26	27	28	29	30
DECEMBER 2018 15 DAYS				
3	4	5	6	7
10	11	12	13	14
17	18	19	20	21
24	25	26	27	28
31				
JANUARY 2019 <small>Gr 7-12 20 DAYS Gr. K-6 21 DAYS</small>				
	1	2	3	4
7	8	9	10	11
14	15	16	17	18
21	22	23	24	25
28	29	30	31	

AUG 27	Teacher Work Day-Convocation
AUG 28	Teacher Professional Development
<input type="checkbox"/> AUG 29	FIRST DAY OF SCHOOL, GRADES 7-12 Teacher Work Day, Grades K-6
<input type="checkbox"/> AUG 30	FIRST DAY OF SCHOOL, GRADES K-6 FULL DAY
SEPT 3	Labor Day
SEPT 10	Rosh Hashanah
SEPT 19	Yom Kippur
OCT 8	Columbus Day
NOV 6	Election Day - No School for Students
NOV 21	Early Dismissal
NOV 22-23	Thanksgiving Recess
DEC 24- JAN 1	Holiday Recess (Includes New Year's Day)
JAN 21	Martin Luther King Day
JAN 17-23	Grades 7-12: Mid-Term Exams (Early Dismissal Grades 9-12 only)
<input type="checkbox"/> JAN 24	Gr. 7-12 No School for Students Teacher Work Day, Grades 7-12
FEB 18-19	Winter Recess (includes Presidents' Day)
APR 15-19	Spring Recess (Includes Good Friday)
MAY 27	Memorial Day
Last 4 Days	Final Exams, Grades 7-12 (Early Dismissal Grades 7-12)
Last Day	Projected Last Day – June 10 Early Dismissal Grades K-12
	Projected Teacher Work Day – June 11 Teacher Work Day will be the first work day following the last day for students.
<input type="checkbox"/>	SCHOOL CLOSED

Projected Last Day – June 10, 2019

M	T	W	TH	F
18 DAYS FEBRUARY 2019				
				1
4	5	6	7	8
11	12	13	14	15
18	19	20	21	22
25	26	27	28	
21 DAYS MARCH 2019				
				1
4	5	6	7	8
11	12	13	14	15
18	19	20	21	22
25	26	27	28	29
17 DAYS APRIL 2019				
1	2	3	4	5
8	9	10	11	12
15	16	17	18	19
22	23	24	25	26
29	30			
22 DAYS MAY 2019				
		1	2	3
6	7	8	9	10
13	14	15	16	17
20	21	22	23	24
27	28	29	30	31
DAYS 6 JUNE 2019				
3	4	5	6	7
10	11	12	13	14
17	18	19	20	21
24	25	26	27	28
*SCHOOL ENDS JUNE 10				
*If weather or other emergencies require the closing of school, the lost days will be made up by extending the school year in June up to 9 days. If additional days are needed, they will be taken from the Spring Recess, beginning April 15.				

Approved: 10.16.17



TOWN OF GLASTONBURY * 2155 MAIN STREET * GLASTONBURY * CT

BID / PROPOSAL NO: GL-2018-18 DATE DUE: 04-03-18

DATE ADVERTISED: 03-13-18 TIME DUE: 11:00 AM

NAME OF PROJECT: Air Conditioning Installation at Four Elementary Schools

In compliance with this Invitation to Bid, the Bidder hereby proposes to provide goods and/or services as per this solicitation in strict accordance with the Bid Documents, within the time set forth therein, and at the prices submitted with their bid response.

It is the responsibility of the Bidder to clearly mark the outside of the bid envelope with the Company name and Address, Bid Number, Date and Time of Bid Opening, and it also THE RESPONSIBILITY OF THE BIDDER TO CHECK THE TOWN'S WEBSITE BEFORE SUBMITTING BID FOR ADDENDA POSTED PRIOR TO BID OPENING.

THE BIDDER ACKNOWLEDGES RECEIPT OF THE FOLLOWING ADDENDA AS REQUIRED:

Addendum #1 _____ (Initial/Date) **Addendum #2** _____ (Initial/Date) **Addendum #3** _____ (Initial/Date)

Other Items Required with Submission of Bid Proposal

The following bid checklist describes items required for inclusion with the above-referenced bid proposal package. It is provided for the convenience of the bidders and, therefore, should not be assumed to be a complete list.

_____ Bid Bond (10% of total bid amount).

_____ List of five (5) similar projects completed within last three (3) years.

_____ Acknowledgement of Addendums (as applicable).

_____ Acknowledgement of Code of Ethics on Bid Proposal page.

_____ Sealed bids, one original and one copy. Clearly marked envelope with Bid Number, Date, Time of opening, Bidder's Company Name and address.

_____ Disclosure of past and pending mediation, arbitration and litigation cases that the Bidder or its principals have been involved in for the most recent five years (if applicable).

_____ Included Affidavit in compliance with Town ordinance prohibiting natural gas waste & oil waste from natural gas extraction activities or oil extraction activities as per Section 23 of the Information for Bidders.

Name of Bidder: _____

BASE BID by SCHOOL:

Furnish and install VRF Air Conditioning systems as described in GL-2018-18 at:

Item No.	Item Description	Lump Sum Amount
1.	Buttonball Lane School	\$ _____ Numeric Amount
Written Amount: _____		
2.	Hopewell School	\$ _____ Numeric Amount
Written Amount: _____		
3.	Hebron Ave School	\$ _____ Numeric Amount
Written Amount: _____		
4.	Naubuc School	\$ _____ Numeric Amount
Written Amount: _____		
TOTAL for BASE BID AMOUNT of all four schools		\$ _____ Numeric Amount
Written Amount: _____		

Please confirm your company has the resources to complete all four schools by August 1, 2018 if your company is awarded all four schools. ___ Yes ___ No

NON-COLLUSION AFFIDAVIT:

By submission of this bid, the Bidder certifies, and in the case of a joint bid each party thereto certifies as to their own organization that this bid has been arrived at independently without consultation, communication, or agreement as to any matter relating to this bid with any other Bidder or with any competitor.

Name of Bidder: _____

CODE OF ETHICS:

I / We have reviewed a copy of the Town of Glastonbury's Code of Ethics and agree to submit a Consultant Acknowledgement Form if I /We are selected. Yes _____ No _____ *

***Bidder is advised that effective August 1, 2003, the Town of Glastonbury cannot consider any bid or proposal where the bidder has not agreed to the above statement.**

Print Name, Title of Individual

Doing Business as (Trade Name)

Signature of Individual

Street Address

Date

City, State, Zip Code

E:mail Address

Telephone Number / Fax Number

Project: AC Installation At Four Elementary Schools

**Minimum Rates and Classifications
for Building Construction**

ID# : B 24422

**Connecticut Department of Labor
Wage and Workplace Standards Division**

By virtue of the authority vested in the Labor Commissioner under provisions of Section 31-53 of the General Statutes of Connecticut, as amended, the following are declared to be the prevailing rates and welfare payments and will apply only where the contract is advertised for bid within 20 days of the date on which the rates are established. Any contractor or subcontractor not obligated by agreement to pay to the welfare and pension fund shall pay this amount to each employee as part of his/her hourly wages.

Project Number:

Project Town: Glastonbury

State#:

FAP#:

Project: AC Installation At Four Elementary Schools

CLASSIFICATION	Hourly Rate	Benefits
1a) Asbestos Worker/Insulator (Includes application of insulating materials, protective coverings, coatings, & finishes to all types of mechanical systems; application of firestopping material for wall openings & penetrations in walls, floors, ceilings	38.25	27.96
<hr/>		
1b) Asbestos/Toxic Waste Removal Laborers: Asbestos removal and encapsulation (except its removal from mechanical systems which are not to be scrapped), toxic waste removers, blasters.**See Laborers Group 7**		
<hr/>		
1c) Asbestos Worker/Heat and Frost Insulator	39.00	28.76

As of: Thursday, February 22, 2018

Project: AC Installation At Four Elementary Schools

2) Boilermaker	38.34	26.01
----------------	-------	-------

3a) Bricklayer, Cement Mason, Concrete Finisher (including caulking), Stone Masons	33.48	32.06 + a
---	-------	-----------

3b) Tile Setter	34.90	25.87
-----------------	-------	-------

3c) Terrazzo Mechanics and Marble Setters	31.69	22.35
---	-------	-------

3d) Tile, Marble & Terrazzo Finishers	26.70	21.75
---------------------------------------	-------	-------

3e) Plasterer	33.48	32.06
---------------	-------	-------

As of: Thursday, February 22, 2018

Project: AC Installation At Four Elementary Schools

-----LABORERS-----

4) Group 1: Laborers (common or general), acetylene burners, carpenter tenders, concrete specialists, wrecking laborers, fire watchers.	29.25	19.50
---	-------	-------

4a) Group 2: Mortar mixers, plaster tender, power buggy operators, powdermen, fireproofers/mixer/nozzlemans (Person running mixer and spraying fireproof only).	29.50	19.50
---	-------	-------

4b) Group 3: Jackhammer operators/pavement breaker, mason tender (brick), mason tender (cement/concrete), forklift operators and forklift operators (masonry).	29.75	19.50
--	-------	-------

4c) **Group 4: Pipelayers (Installation of water, storm drainage or sewage lines outside of the building line with P6, P7 license) (the pipelayer rate shall apply only to one or two employees of the total crew whose primary task is to actually perform the mating of pipe sections) P6 and P7 rate is \$26.80.	29.75	19.50
---	-------	-------

4d) Group 5: Air track operator, sand blaster and hydraulic drills.	29.75	19.50
---	-------	-------

Project: AC Installation At Four Elementary Schools

4e) Group 6: Blasters, nuclear and toxic waste removal.	31.00	19.50
---	-------	-------

4f) Group 7: Asbestos/lead removal and encapsulation (except it's removal from mechanical systems which are not to be scrapped).	30.25	19.50
--	-------	-------

4g) Group 8: Bottom men on open air caisson, cylindrical work and boring crew.	28.38	19.50
--	-------	-------

4h) Group 9: Top men on open air caisson, cylindrical work and boring crew.	27.86	19.50
---	-------	-------

4i) Group 10: Traffic Control Signalman	16.00	19.50
---	-------	-------

5) Carpenter, Acoustical Ceiling Installation, Soft Floor/Carpet Laying, Metal Stud Installation, Form Work and Scaffold Building, Drywall Hanging, Modular-Furniture Systems Installers, Lathers, Piledrivers, Resilient Floor Layers.	32.60	25.34
---	-------	-------

As of: Thursday, February 22, 2018

Project: AC Installation At Four Elementary Schools

5a) Millwrights 33.14 25.74

6) Electrical Worker (including low voltage wiring) (Trade License required: E1,2 L-5,6 C-5,6 T-1,2 L-1,2 V-1,2,7,8,9) 39.15 25.17+3% of gross wage

7a) Elevator Mechanic (Trade License required: R-1,2,5,6) 51.71 32.645+a+b

-----LINE CONSTRUCTION-----

Groundman 26.50 6.5% + 9.00

Linemen/Cable Splicer 48.19 6.5% + 22.00

As of: Thursday, February 22, 2018

Project: AC Installation At Four Elementary Schools

8) Glazier (Trade License required: FG-1,2)	36.28	20.45 + a
---	-------	-----------

9) Ironworker, Ornamental, Reinforcing, Structural, and Precast Concrete Erection	35.47	33.39 + a
---	-------	-----------

----OPERATORS----

Group 1: Crane handling or erecting structural steel or stone, hoisting engineer 2 drums or over, front end loader (7 cubic yards or over), work boat 26 ft. and over and Tunnel Boring Machines. (Trade License Required)	39.30	24.05 + a
--	-------	-----------

Group 2: Cranes (100 ton rate capacity and over); Excavator over 2 cubic yards; Piledriver (\$3.00 premium when operator controls hammer); Bauer Drill/Caisson. (Trade License Required)	38.98	24.05 + a
--	-------	-----------

Group 3: Excavator; Backhoe/Excavator under 2 cubic yards; Cranes (under 100 ton rated capacity), Grader/Blade; Master Mechanic; Hoisting Engineer (all types of equipment where a drum and cable are used to hoist or drag material regardless of motive power of operation), Rubber Tire Excavator (Drott-1085 or similar); Grader Operator; Bulldozer Fine Grade. (slopes, shaping, laser or GPS, etc.). (Trade License Required)	38.24	24.05 + a
--	-------	-----------

Project: AC Installation At Four Elementary Schools

Group 4: Trenching Machines; Lighter Derrick; Concrete Finishing Machine; CMI Machine or Similar; Koehring Loader (Skooper).	37.85	24.05 + a
--	-------	-----------

Group 5: Specialty Railroad Equipment; Asphalt Paver; Asphalt Reclaiming Machine; Line Grinder; Concrete Pumps; Drills with Self Contained Power Units; Boring Machine; Post Hole Digger; Auger; Pounder; Well Digger; Milling Machine (over 24" Mandrell)	37.26	24.05 + a
--	-------	-----------

Group 5 continued: Side Boom; Combination Hoe and Loader; Directional Driller; Pile Testing Machine.	37.26	24.05 + a
--	-------	-----------

Group 6: Front End Loader (3 up to 7 cubic yards); Bulldozer (rough grade dozer).	36.95	24.05 + a
---	-------	-----------

Group 7: Asphalt roller, concrete saws and cutters (ride on types), vermeer concrete cutter, Stump Grinder; Scraper; Snooper; Skidder; Milling Machine (24" and under Mandrell).	36.61	24.05 + a
--	-------	-----------

Group 8: Mechanic, grease truck operator, hydroblaster; barrier mover; power stone spreader; welding; work boat under 26 ft.; transfer machine.	36.21	24.05 + a
---	-------	-----------

Project: AC Installation At Four Elementary Schools

Group 9: Front end loader (under 3 cubic yards), skid steer loader regardless of attachments, (Bobcat or Similar): forklift, power chipper; landscape equipment (including Hydroseeder).	35.78	24.05 + a
--	-------	-----------

Group 10: Vibratory hammer; ice machine; diesel and air, hammer, etc.	33.74	24.05 + a
---	-------	-----------

Group 11: Conveyor, earth roller, power pavement breaker (whiphammer), robot demolition equipment.	33.74	24.05 + a
--	-------	-----------

Group 12: Wellpoint operator.	33.68	24.05 + a
-------------------------------	-------	-----------

Group 13: Compressor battery operator.	33.10	24.05 + a
--	-------	-----------

Group 14: Elevator operator; tow motor operator (solid tire no rough terrain).	31.96	24.05 + a
--	-------	-----------

As of: Thursday, February 22, 2018

Project: AC Installation At Four Elementary Schools

Group 15: Generator Operator; Compressor Operator; Pump Operator; Welding Machine Operator; Heater Operator.	31.55	24.05 + a
--	-------	-----------

Group 16: Maintenance Engineer/Oiler.	30.90	24.05 + a
---------------------------------------	-------	-----------

Group 17: Portable asphalt plant operator; portable crusher plant operator; portable concrete plant operator.	35.21	24.05 + a
---	-------	-----------

Group 18: Power safety boat; vacuum truck; zim mixer; sweeper; (Minimum for any job requiring a CDL license).	32.79	24.05 + a
---	-------	-----------

-----PAINTERS (Including Drywall Finishing)-----

10a) Brush and Roller	32.72	20.45
-----------------------	-------	-------

As of: Thursday, February 22, 2018

Project: AC Installation At Four Elementary Schools

10b) Taping Only/Drywall Finishing	33.47	20.45
------------------------------------	-------	-------

10c) Paperhanger and Red Label	33.22	20.45
--------------------------------	-------	-------

10e) Blast and Spray	35.72	20.45
----------------------	-------	-------

11) Plumber (excluding HVAC pipe installation) (Trade License required: P-1,2,6,7,8,9 J-1,2,3,4 SP-1,2)	41.62	30.36
--	-------	-------

12) Well Digger, Pile Testing Machine	33.01	19.40 + a
---------------------------------------	-------	-----------

13) Roofer (composition)	34.92	19.28
--------------------------	-------	-------

As of: Thursday, February 22, 2018

Project: AC Installation At Four Elementary Schools

14) Roofer (slate & tile)	35.42	19.28
---------------------------	-------	-------

15) Sheetmetal Worker (Trade License required for HVAC and Ductwork: SM-1,SM-2,SM-3,SM-4,SM-5,SM-6)	37.18	34.29
--	-------	-------

16) Pipefitter (Including HVAC work) (Trade License required: S-1,2,3,4,5,6,7,8 B-1,2,3,4 D-1,2,3,4, G-1, G-2, G-8 & G-9)	41.62	30.36
---	-------	-------

-----TRUCK DRIVERS-----

17a) 2 Axle	29.13	22.32 + a
-------------	-------	-----------

17b) 3 Axle, 2 Axle Ready Mix	29.23	22.32 + a
-------------------------------	-------	-----------

As of: Thursday, February 22, 2018

Project: AC Installation At Four Elementary Schools

17c) 3 Axle Ready Mix	29.28	22.32 + a
-----------------------	-------	-----------

17d) 4 Axle, Heavy Duty Trailer up to 40 tons	29.33	22.32 + a
---	-------	-----------

17e) 4 Axle Ready Mix	29.38	22.32 + a
-----------------------	-------	-----------

17f) Heavy Duty Trailer (40 Tons and Over)	29.58	22.32 + a
--	-------	-----------

17g) Specialized Earth Moving Equipment (Other Than Conventional Type on-the-Road Trucks and Semi-Trailers, Including Euclids)	29.38	22.32 + a
--	-------	-----------

18) Sprinkler Fitter (Trade License required: F-1,2,3,4)	43.92	15.84 + a
--	-------	-----------

As of: Thursday, February 22, 2018

Project: AC Installation At Four Elementary Schools

19) Theatrical Stage Journeyman	25.76	7.34
---------------------------------	-------	------

Project: AC Installation At Four Elementary Schools

Welders: Rate for craft to which welding is incidental.

**Note: Hazardous waste removal work receives additional \$1.25 per hour for truck drivers.*

***Note: Hazardous waste premium \$3.00 per hour over classified rate*

ALL Cranes: When crane operator is operating equipment that requires a fully licensed crane operator to operate he receives an extra \$4.00 premium in addition to the hourly wage rate and benefit contributions:

1) Crane handling or erecting structural steel or stone; hoisting engineer (2 drums or over)

2) Cranes (100 ton rate capacity and over) Bauer Drill/Caisson

3) Cranes (under 100 ton rated capacity)

Crane with 150 ft. boom (including jib) - \$1.50 extra

Crane with 200 ft. boom (including jib) - \$2.50 extra

Crane with 250 ft. boom (including jib) - \$5.00 extra

Crane with 300 ft. boom (including jib) - \$7.00 extra

Crane with 400 ft. boom (including jib) - \$10.00 extra

All classifications that indicate a percentage of the fringe benefits must be calculated at the percentage rate times the "base hourly rate".

Apprentices duly registered under the Commissioner of Labor's regulations on "Work Training Standards for Apprenticeship and Training Programs" Section 31-51-d-1 to 12, are allowed to be paid the appropriate percentage of the prevailing journeymen hourly base and the full fringe benefit rate, providing the work site ratio shall not be less than one full-time journeyman instructing and supervising the work of each apprentice in a specific trade.

The Prevailing wage rates applicable to this project are subject to annual adjustments each July 1st for the duration of the project.

Each contractor shall pay the annual adjusted prevailing wage rate that is in effect each July 1st, as posted by the Department of Labor.

It is the contractor's responsibility to obtain the annual adjusted prevailing wage rate increases directly from the Department of Labor's website.

The annual adjustments will be posted on the Department of Labor's Web page: www.ct.gov/dol. For those without internet access, please contact the division listed below.

The Department of Labor will continue to issue the initial prevailing wage rate schedule to the Contracting Agency for the project.

All subsequent annual adjustments will be posted on our Web Site for contractor access.

Contracting Agencies are under no obligation pursuant to State labor law to pay any increase due to the annual adjustment provision.

As of: Thursday, February 22, 2018

Project: AC Installation At Four Elementary Schools

Effective October 1, 2005 - Public Act 05-50: any person performing the work of any mechanic, laborer, or worker shall be paid prevailing wage

All Person who perform work ON SITE must be paid prevailing wage for the appropriate mechanic, laborer, or worker classification.

All certified payrolls must list the hours worked and wages paid to All Persons who perform work ON SITE regardless of their ownership i.e.: (Owners, Corporate Officers, LLC Members, Independent Contractors, et. al)

Reporting and payment of wages is required regardless of any contractual relationship alleged to exist between the contractor and such person.

~~Unlisted classifications needed for work not included within the scope of the classifications listed may be added after award only as provided in the labor standards contract clause (29 CFR 5.5 (a) (1) (ii)).

Please direct any questions which you may have pertaining to classification of work and payment of prevailing wages to the Wage and Workplace Standards Division, telephone (860)263-6790.

As of: Thursday, February 22, 2018

RTQLGEV'O CP WCN''

hqt''

VQY P'QHI NCUVQPDWT[''
Ckt 'Eqpf kkpplpi 'Kpucm vkap''
'c v'

'Hqwt 'Grgo gpvct { 'Uej qqn'

RTQLGEV'%d N/423:/3: ''

DwwqpdcmGrgo gpvct { 'Uej qqn'
J gdt qp'Grgo gpvct { 'Uej qqn'
J qr gy gmGrgo gpvct { 'Uej qqn'
P cwdwe'Grgo gpvct { 'Uej qqn'

Dgo ku'Cuuqek vgu'NNE ''
3: 7'O clp'Ust ggv'
Hct o lpi vqp.'Eqppgevw'28254''

O ctej ": ."423: "

PROJECT MANUAL

SECTION 00010

TABLE OF CONTENTS

GENERAL

00000 COVER
00010 TABLE OF CONTENTS

DIVISION 23 – HVAC

200050 GENERAL CONDITIONS FOR MECHANICAL AND ELECTRICAL SYSTEMS
230548 VIBRATION AND SEISMIC SUPPORTS FOR HVAC PLUMBING AND EQUIPMENT
230700 HVAC INSULATION
230913 INSTRUMENTATION AND CONTROLS FOR HVAC
232113 PIPING
238126 VARIABLE REFRIGERANT FLOW SYSTEM

DIVISION 26 – ELECTRICAL

260000 GENERAL ELECTRICAL
260500 BASIC ELECTRICAL MATERIALS & METHODS

LIST OF DRAWINGS

00020 LIST OF DRAWINGS

M1.1 BUTTONBALL ELEMENTARY SCHOOL SECTION A- MECHANICAL NEW WORK FLOOR PLAN
M1.2 BUTTONBALL ELEMENTARY SCHOOL SECTION B- MECHANICAL NEW WORK FLOOR PLAN
M1.3 BUTTONBALL ELEMENTARY SCHOOL SECTION C- MECHANICAL NEW WORK FLOOR PLAN
M1.4 BUTTONBALL ELEMENTARY SCHOOL - MECHANICAL SCHEDULES

E1.1 BUTTONBALL ELEMENTARY SCHOOL SECTION A- ELECTRICAL NEW WORK FLOOR PLAN
E1.2 BUTTONBALL ELEMENTARY SCHOOL SECTION B- ELECTRICAL NEW WORK FLOOR PLAN
E1.3 BUTTONBALL ELEMENTARY SCHOOL SECTION C- ELECTRICAL NEW WORK FLOOR PLAN

M2.1 HEBRON ELEMENTARY SCHOOL SECTION A- MECHANICAL NEW WORK FLOOR PLAN
M2.2 HEBRON ELEMENTARY SCHOOL SECTION B- MECHANICAL NEW WORK FLOOR PLAN
M2.3 HEBRON ELEMENTARY SCHOOL SECTION C- MECHANICAL NEW WORK FLOOR PLAN
M2.4 HEBRON ELEMENTARY SCHOOL - MECHANICAL SCHEDULES

E2.1 HEBRON ELEMENTARY SCHOOL SECTION A- ELECTRICAL NEW WORK FLOOR PLAN
E2.2 HEBRON ELEMENTARY SCHOOL SECTION B- ELECTRICAL NEW WORK FLOOR PLAN
E2.3 HEBRON ELEMENTARY SCHOOL SECTION C- ELECTRICAL NEW WORK FLOOR PLAN

M3.1 HOPEWELL ELEMENTARY SCHOOL SECTION A- MECHANICAL NEW WORK FLOOR PLAN
M3.2 HOPEWELL ELEMENTARY SCHOOL SECTION B- MECHANICAL NEW WORK FLOOR PLAN
M3.3 HOPEWELL ELEMENTARY SCHOOL SECTION C- MECHANICAL NEW WORK FLOOR PLAN
M3.4 HOPEWELL ELEMENTARY SCHOOL - MECHANICAL SCHEDULES

E3.1 HOPEWELL ELEMENTARY SCHOOL SECTION A- ELECTRICAL NEW WORK FLOOR PLAN
E3.2 HOPEWELL ELEMENTARY SCHOOL SECTION B- ELECTRICAL NEW WORK FLOOR PLAN
E3.3 HOPEWELL ELEMENTARY SCHOOL SECTION C- ELECTRICAL NEW WORK FLOOR PLAN

M4.1 NAUBUC ELEMENTARY SCHOOL SECTION B- MECHANICAL NEW WORK FLOOR PLAN
M4.2 NAUBUC ELEMENTARY SCHOOL SECTION B- MECHANICAL SCHEDULES

E4.1 NAUBUC ELEMENTARY SCHOOL SECTION B- ELECTRICAL NEW WORK FLOOR PLAN

END OF LIST OF DRAWINGS

UGE VKQP '42'22'72'/'I GP GTCN'EQP F KVKQP U'HQT'O GEJ CP KECN'CPF 'GNGEVTKECN'UJ UVGO U

RCTV'3'/'I GP GTCN

30B TGNCVGF 'F QE WO GP VU<

C0 Vj g'I gpgtcrnr tqxkukqpu'qh'yj g'Eqpvtcev'kpenw'kpi 'I gpgtcrncpf 'Uwr r ngo gpvt { 'Eqpf kxkqpu.'I gpgtcrnr
Tgs wktgo gpv'cr r n' 'v'j g'y qtmnr gekhgf 'kp'yj ku'Ugevkqp0

D0 Ueqr g'qh'Y qtm'Vj ku'Ugevkqp'eqpvkpu'ur geknr tqxkukqpu'ht'F kxkqpu'45"cpf "480

304 GZCO K'CVKQP 'QH'UK'G'CPF 'F T'CY K'PI U<

C0 Dghqtg'uwo kxkpi "j ku'dkf . "Eqpvtcevt"uj cml'xkuk'ukg'y kj "r rpu"cpf "ur gekhcevkqpu"kp"j cpf . "uj cml'
eqpuw'y kj "y g'Gpi kpggt"cpf "uj cml'dgeqo g"y qtwi j n' "hco kkt"y kj "cml'eqpf kxkqpu'w'pf gt"y j lej " "
j ku'y qtmny knidg'f qpg'ukpeg'j g'y knidg'j grf "t'gur qpukdr'ht'cp { "cuwo r vkpu'j g'o c { "o cng'kp'tgi ctf "
y gtgv0

D0 Vj g'Eqpvtcevt"uj cml'xgtkh' 'cpf 'qdvk'cml'pgeguct { 'f ko gpukqpu'cv'yj g'dwkr kpi 0

E0 Egtvkr'r t'gugp'dwkr kpi 'engctpegu'ctg'cxkkrdr'ht'j cpf r'kpi "gs wkr o gp0'
Cml'gs wkr o gp'v'uj cml'dg'f grkxgtgf 'hpqngf 'f qy p'cu'pgeguct { 'v'engct'tgust'evkqpu0

305 K'VGP V<

C0 H'kuj gf "Y qtm'" Vj g'k'v'gpv'qh' yj g'ur gekhcevkqpu" cpf "f tcy kpi u" ku" vq" ecm'ht' h'kuj gf "y qtm'
eqo r r'v'gf . 'v'ugf "cpf 't'gcf { 'ht'qr gtcvkqp0

D0 I q'qf 'Rtcevk'g'<'K'ku'p'qv'k'v'p'gf gf 'y cv'yj g'f tcy kpi u'uj qy "gxgt { 'r kr g.'h'k'kpi "qt"o k'p'qt'f g'ck'k'cpf 'k'ku'
w'pf gtuqqf "y cv'y j k'g'yj g'f tcy kpi u'o w'v'dg'hm'y gf "cu'em'ugn' "cu'ektewo ucpegu'y kn'r gto k'v'yj g'
u'f'ugo u'uj cml'dg'k'p'ucmgf "ceeqt'f kpi "v'j g'k'v'gpv'cpf "o g'c'k'pi "qh'yj g'Eqpvtcev'F qewo gpv'cpf "kp'
ceeqt'f c'peg'y kj "i q'qf 'r tcevk'g0

E0 Y qtm'w'pf gt "gcej "Ugevkqp"uj cml'k'penw'g'i kxkpi "y tkv'gp'p'q'v'eg"v'j g'Qy pgt'y kj kp"37"fc { u'ch'gt'yj g'
Cy ctf "qh'yj g'Eqpvtcev'qh'cp { "o cv'gt'k'ni"qh'cr r ctcwu" d'gr'k'x'gf "k'pcf gs w'v'g"qt" w'p'w'k'cd'rg"qt"kp"
x'k'q'r'v'k'p'qh'cp { 'r'y u'qt'eqf gu."qt'k'go u'qh'y qtm'qo k'w'gf 0'k'p'yj g'cdug'peg'qh'u'we'j "y tkv'gp'p'q'v'eg.'k'ku'
o w'w'cm' "ci t'ggf "y cv'y qtm'w'pf gt "gcej "Ugevkqp"j cu'k'penw'gf "y g'equ'qh'cml'gs w'kt'gf "k'go u'cpf "r'cd'qt"
ht'yj g'uc'v'k'cevt { 'h'w'ev'k'p'k'pi "qh'yj g'gp'v'k'g'u'f'ugo "y kj q'w'g'z'tc'eqo r gp'v'k'qp0

F0 Cp { "cr r ctcwu."cr r r'k'peg."o cv'gt'k'ni'qt"y qtm'p'qv'uj qy p'qp'f tcy kpi u'dw'o gp'v'k'p'gf "kp'ur gekhcevkqpu"
qt"x'k'eg'x'gtuc."qt"cp { "k'p'kf gp'v'c'ce'gu'qt'k'g'u'p'geguct { "v'j o cng'yj g'y qtm'eqo r r'v'g'cpf "r g't'h'ev'k'p'cml'
t'gur geu'cpf "t'gcf { 'ht'qr gtcvkqp."gx'gp'k'h'p'q'v'r c't'v'w'r'c'n' "ur gekhgf . "uj cml'dg'hm'p'kuj gf "cpf "k'p'ucmgf "
d { "Eqpvtcevt"cv'p'q'c'f f k'k'q'p'c'ne'qu'v'q'Qy pgt0

G0 R't'qt"v'j t'ge'g'r'v'qh' d'kf u."Eqpvtcevtu"uj cml'i k'g'y tkv'gp'p'q'v'eg"v'j Gpi kpggt"qh'cp { "o cv'gt'k'ni"qt"
cr r ctcwu" d'gr'k'x'gf "k'pcf gs w'v'g."w'p'w'k'cd'rg"qt"kp"x'k'q'r'v'k'p'qh'ny u."qt'f k'p'c'pegu."t'w'gu'qt"t'gi w'v'k'qpu"
qh'cw'j qt'k'k'g'u'j c'x'k'pi "l'w'k'uf'ev'k'p'cpf "cp { "p'geguct { "k'go u'qt"y qtm'qo k'w'gf 0

Kp'vj g'cdugpeg'qh'uwej 'y tkwgp'pqvleg.'k'ku'o wwm{ "ci tggf 'vj cv'Eqpvtcevqt"j cu'kpenmf gf 'vj g'equv'qh'
cm' tgs wktgf "kgo u' kp" j ku" r tqr qucn' cpf " y cv" j g" y kni' dg" tgur qpukdng" hqt" cr r tqxgf " uc'kukhevqt { "
hpxevkqkpi "qh'u{ ugo u'y kj qw'hwv'j gt'eqo r gpuv'kqpo

HD Kp'cm'ecugu'y j gtg" cr r ctcwu" ku" j gtgk'p" tghgtt'gf "v" kp" ukpi wrct" pwo dgt." k'ku" kpvpgf gf " y cv' uwej "
tghgtgpeg'kpenmf g'cu'o cp{ 'uwej 'kgo u'cu'ctg'tgs wktgf "v'eqo r rvg'y qtno

I O' Kk'pqv' qy gty lug' ur gek'k'gf "qt" uj qy p" qp" r rpu." cr r ctcwu" cpf " o cvgtkcu" uj cm' dg" kpuwcmgf " kp"
ceeqtfcpeg'y kj " o cpw'cewtgtu" r wdrkuj gf " tgeqo o gpf cv'kqpu'cpf "kputwv'kqpu'cpf "v" y' g'eqo r rvg"
uc'kukhevqt'qh'y' g'Ctej kgev0

J O' K'ku" y' g" kpvgp' qh' y' gug' ur gek'k'c'v'kqpu' hqt" O' gej cplecn' cpf " G'gevt'lecn' Eqpvtcevqtu" cpf lqt" y' gkt"
uwdeqvtcevqtu'qt'gs wkr o gpv'w' r rgtu'v' hwt'pkuj "cm'gs wkr o gpv'eqo r rvg'y kj "cm'iceeguqt'kgo

306 TGI WNCVIQP U<

C0' Eqf gu<" Cm'y qtn'uj cm'dg" f qpg" kp" utlev' ceeqtfcpeg'y kj " y' g"4238"Eqppgevew'Ucv'g'Dwkrf kpi "
Eqf g."4238"Eqppgevew'Ucv'g'Hktg"Uchgv{ "Eqf g."4234"KOE."4234"KRE."4234"KOE."Eqppgevew'
Rwdrl'J genj "Eqf g."4234"PHRC"323."cm'cr r rlecdng"PHRC"Eqf gu."PGE."WN."P GO C."QUU (C0"
y kj " cm' tgs wktgo gpu' qh' r'ecni' wkrk{ " eqo r cplgu" cpf " y' g" tgs wktgo gpu' qh' cm' i qxgtpo gpcni'
f gr ctvo gpu'j cxkpi "lwt'kuf lev'kqpo

D0 Rtgegf gpeg<"Tgs wktgo gpu'qh'y' g'cdq'xg'uj cm'v'cng'r tgegf gpeg'qxgt'r rpu'cpf 'ur gek'k'c'v'kqpu

E0 Gs wkr o gpv'eqputwv'kqpu'uc'p'ctf u'uj cm'dg'cu" hq'my u<" Rtguw'g'xgu'gn'uj cm'dg'eqputwv'gf "kp"
ceeqtfcpeg'y kj " y' g"CUO G'Eqf g."cm'grgevt'lecn'gs wkr o gpv'uj cm'dg'WN'rkuv'gf "cpf "cr r tqxgf "cpf "
eqphqto "v" y' g"P(GGE)"i cu'gs wkr o gpv'uj cm'dg'cr r tqxgf "d{ "C0 (C0'cpf "eqphqto "v" P(HRC)C0'
Eqf gu."r kr kpi "o cvgtkcu."h'k'kpi u."xc'k'gu'cpf "ceeguqt'kgo'uj cm'dg'eqputwv'gf "kp"ceeqtfcpeg'y kj "
C(UU)O'cpf "C(P(UU)uc'p'ctf u' hqt'ercu'qh'y' qtn'lp'xq'xgf O"cm'gs wkr o gpv'cpf "o cvgtkcu'uj cm'dg"
pgy "cpf "qh'f qo gu'ke"o cpw'cewtg0" Cm'y' g'cdq'xg'eqf gu'uj cm'dg'tghgtgpegf "cpf "f cvgf "kp" y' g"
Eqppgevew'Dcule'Dwkrf kpi 'Eqf g0

F0 Y j gt'xgt'f kuetgr cpekgu'qee'w'dgy ggp'cdq'xg'tgi w'v'kqpu'cpf "ci g'pek'gu'cpf "eqpvtcev'f tcy kpi u'cpf "
ur gek'k'c'v'kqpu. " y' g'tgs wktgo gpu'qh'cdq'xg'uj cm'v'cng'r tgegf gpeg."gzegr v'y' cv'y' g'eqpvtcev'f tcy kpi u'
cpf "ur gek'k'c'v'kqpu'uj cm'dg'o k'p'o wo "tgs wktgo gpu'cpf "y' cv'eqpvtcevqtu'uj cm'cf x'kug'gpi k'pggt'qh'cp{ "
tgs wktgf "ej cpi gu'dgh'gt'r tgeggf kpi 'y' kj 'y' qtno

307 CRRTQXGF 'HKVVI I U<

C0 P q"o cvgtkcu'qy gt " y' cp" y' cv'eqp'v'kqpf "kp" y' g"\$Ncygu'Nku' qh'G'gevt'le" h'k'kpi u\$ "cr r tqxgf "d{ " y' g"
Wpf gty tkgtu)Ncdqtcv'qt'kgo."Kpe0"uj cm'dg'wugf "kp" cp{ " r ctv' qh' y' g" y' qtno" Cm'y k'kpi ." eqpf w'k."
uy kej gu'cpf "qy' gt'o cvgtkcu'hqt'y' j lej "rd'gn'ugt'xleg"j cu'dggp'gu'wdrkuj gf ."uj cm'dgct'y' g'rd'gn'qh'y' g"
Wpf gty tkgtu)Ncdqtcv'qt'kgo."Kpe0

308 RGTO K/U.'HGGU<

" C0 Kpenmf g'cm'p'geguuct { "pqv'legu."qd'v'k'p'cm'r gto ku'cpf "r c{ "cm'i qxgtpo gpcni'wz'gu."h'ggu."cpf "qy' gt"
equv'0" H'k'g'cm'p'geguuct { "r rpu."r tgr ctg"cm'f qewo gpu'cpf "qd'v'k'p'cm'p'geguuct { "cr r tqx'cni'qh'cm'
i qxgtpo gpcni' f gr ctvo gpu'j cxkpi "lwt'kuf lev'kqpo" Qd'v'k'p'cm' tgs wktgf "E'gt'v'k'c'v'gu' qh' y' g" Qy' pgt"
dgh'gt'gs wgu'w'qt'ceegr w'peg'cpf "h'k'c'ni' c{ o gpv'w'qt' y' g'y' qtno

30 F GHR KVIQP U<

- C0' Y qtf u'Shpkuj \$'qt 'Shpkuj gf \$'tghgt 'vq'cm'tqqo u'cpf 'ctgcu'rkugf 'kp'Hkpkuj gf 'Uej gf wr'qp'Ctej kgev'u' F tcy kpi u0'Cm'tqqo u'cpf 'ctgcu'pqv'eqxgtgf 'kp'Uej gf wr. 'kpenw kpi 'wvf gti tqwvf 'wppgn'cpf 'ctgcu' cdqyg'egk'kpi u. 'uj cm'dg'eqpukf gtgf 'pqv'hkpkuj gf 'gzegr v'cu'qy gty kug'pqvgf 0
- D0 Vj g'y qtf 'Sr tqxkf g\$'o gcpu'vq'Shwtpkuj 'cpf 'kpuvcn'f'tghgtgpeg'kgo 0

30 RTQVGEVQIP <

- C0' Y qtn'wvf gt'gcej 'ugev'qp'uj cm'l'kpenw g'r tqv'ev'kpi 'y g'y qtn'cpf 'o cvgtkcn'qh'cm'qy gt'ugev'kpu'ht'qo " f co ci g'd{'y qtn'qt'y qtno gp.'cpf 'uj cm'l'kpenw g'o cm'kpi 'i qaf "cp{'cpf 'cm'l' co ci g'y wu'ecwugf 0
- D0' Gcej "ugev'qp"uj cm' dg"tgur qpukdrg"ht"y qtn' cpf "gs wkr o gpv' wv'k' h'kpcn' "kpur gev'f."v'ugvf "cpf " ceegr v'f 0'Rt'q'gev'y qtn'ci ckpu'v'j gh'y gcv' gt. 'kplwt{'qt'f co ci g'cpf "ectghwn" "uvt'g"o cvgtkcn'cpf " gs wkr o gpv't'ge'g'k'gf "qp'ukg'y j lej "ku'pqv'ko o gf kcv'n' "kpuvcn'gf 0"En'ug"qr gp"gp'f u'qh'y qtn'y kj " vgo r qtct {'eqxgtu'qt'r nxi u'f w'kpi "eqp'ut'w'ev'k'p'v'q'r t'gx'gp'v'p't{'qh'q'd'ut'w'ev'k'p' "o cvgtkcn'0
- E0' K'iu'ur'gek'k'gf "wvf gt" 'y g"tgur gev'k'g"ugev'qp."y qtn'o c{"kpenw g't'ge'g'k'k'p'."w'p'ncf kpi ."w'p'et'cv'k'p'." uvt'k'p'."r tqv'ev'k'p'."ug'v'k'p' "kp'r n'ceg'cpf "eqpp'gev'k'p' "w' "eqo r r'gv'n' "qh'cp{"o q'v'q't' "uvt'v'gtu."eqp't'q'n' gs wkr o gpv'j cx'k'p' "o ge'j c'p'k'ec'n'g'ev't'k'ec'n'ug't'x'k'eg"eqpp'gev'k'p'u'y j lej "o c{"dg'hwt'pkuj gf "d{"Qy pgt"qt" hwt'pkuj gf "wvf gt'cp'qy gt'ugev'k'p'0

Y qtn' wvf gt" gcej " ugev'qp"uj cm'l' kpenw g' gz'g'tek'k'p' " ur'gek'n' ect'g" kp" j cpf'rk'p' " cpf " r tqv'ev'k'p' " gs wkr o gpv'cpf "hkz'wt'gu"0Cp{"qh'y g'cdq'x'g'gs wkr o gpv'cpf "hkz'wt'gu'y j lej "ctg"o ku'k'p' "qt'f co ci gf" d{"t'gcu'qp'qh'o kuj cpf'rk'p' "qt'h'k'w'g'v'q'r tqv'ev'uj cm'dg't'gr n'ceg'f "cv'p'q'cf f k'k'q'p'c'n'eq'u'v'q'y g'Qy pgt'0

30 GS WRO GP V'UWDUWK/WVIQP U'CP F 'F GXICVIQP U<

- C0' Y j gt'g'x'gt'o qt'g'y cp'q'pg'o cpw'ce'w'gt'ku'o gpv'k'p'gf "kp"ur'gek'k'ec'v'k'p'u'cpf "f tcy kpi u."cp{"qh'y g'ug" pco gf "ctg"eqpukf gtgf "gs wcm'f "ceegr v'cd'rg'v'q'y cv'qp"vr'qp'y j lej "f guki p'y cu'dcugf "cpf."r tqx'kf kpi " cm'l't'gs w'k't'go gpv'u'ct'g"o gv' "kpu'q'ht"cu'r g't'q'to c'peg."ur'ceg't'gs w'k't'go gpv'u."pq'k'ug' r'gx'gn'cpf "ur'gek'n' ceegu'q't'k'g'u'qt"o cvgtkcn'ct'g'eq'p'eg't'p'gf."cp{"qh'y qu'g'p'co gf "o c{"dg'k'penw gf 'kp'Eq'p't'ce'v't'u'd'k'f 0
- D0' Y j gt'g'Eq'p't'ce'v't'r tq'q'ugu'v'q'w'ug'cp'k'go "qh'gs wkr o gpv'y j lej "f k'ht'g'u'ht'qo "y cv'vr'qp'y j lej "f guki p" y cu'dcugf."y j lej "t'gs w'k't'gf "cp{"t'gf guki p"qh'ut'w'ew't'g."r ct'v'k'k'p'u."h'q'w'p'f'cv'k'p'u."r k'rk'p'."y k'k'p' "qt"qh' cp{"q'y gt'r ct'v'qh'O ge'j c'p'k'ec'n'G'g'ev't'k'ec'n'qt"Ctej k'gev'w'c'n'Nc{q'w'."cm'u'we'j "t'gf guki p."p'gy "f tcy kpi u" qt'f g'v'k'k'p' "t'gs w'k't'gf "uj cm'dg'r t'gr ct'gf "d{"Eq'p't'ce'v't'cv'j ku'qy p'g'z'r gp'ug'h'q't'c'r r tq'x'c'n'q'h'G'p'i k'p'g't'0
- E0' Y j gt'g' cr r tq'x'gf " uwd'uk'w'k'p'u" qt" f g'x'k'v'k'p'u" t'gs w'k't'g" c" f k'ht'g'gpv' s'w'ep'v'k'v'."u'k' g" qt" c'tt'c'p'i g" qh' ut'w'ew't'c'n'w'r r q't'u."y k'k'p'."eq'p'f'w'k'v' r k'rk'p'."f'v'ew'y q't'm'cpf "gs wkr o gpv'ht'qo "y cv'vr'qp'y j lej "f guki p" y cu'dcugf."cm'cf f k'k'q'p'c'n'k'go u't'gs w'k't'gf "d{"y g'u{u'ngo u'uj cm'y kj "y g'c'r r tq'x'c'n'q'h'G'p'i k'p'g't'."dg" hwt'pkuj gf "d{"Eq'p't'ce'v't'cv'p'q'cf f k'k'q'p'c'n'eq'u'v'q'Qy pgt'0

302 GNGEVTIECN'Y QTM<

- C0 Vj g"Grgextlecn'Ugevqap"lpenmf gu"cm'r qy gt "y kłpi "hqt"cm'grgextlecn'uy kej gu."o qvqt"uctvgtu"cpf "wpo qwpgf "o qvqtu."hwtpkuj gf "cv'yj g"lqd"ukg"d {"qyj gt"ugevqapu"qt"hwtpkuj gf "wpf gt"yj g"Grgextlecn'Ugevqapu"cu'ucvqf "kp'qyj gt"ugevqapu'qh'yj g"ur gekklecvkqpu0
- D0 Vj g"Grgextlecn'Ugevqap"uj cm'kpuvcni'cpf "y ktg"cm'uctvgtu."uy kej gu'cpf "eqpvtqnu."cu'ur gekhgf "cpf lqt"uj qy p'qp'f tcy kpi u0"Vj ku'uj cm'lpenmf g"cm'qr gtcvki "cpf "uchgv "eqpvtqnu0
- E0 Grgextlecmf "qr gtcvqf "gs wkr o gpv'ur r rkgf "d {"qyj gt"ugevqapu"y j lej "y km'dg"kpucmngf "cpf "y ktgf "d {"Grgextlecn'Ugevqap"uj cm'dg" f grkxgtgf "vq"j ko "y kj "f gvckrgf "kputwevqapu"ht"yj gk "kpucm'vqap"cpf "y kłpi "kp'whtlekp'vko g"cpf "r tqr gt"ugs wpeg"vq"gpdcng"j ko "vq"o ggv'j ku'y qtnluej gf wrg0
- F0 Eqpvtqnf gxlegu'yj cv'kpenmf g'o gej cplecn'grgo gpva."uwej "cu'hm'cv'uy kej gu"uj cm'dg"kpucmngf "d {"yj g"ugevqap'hwtpkuj kpi "yj go ."dw'dg'y ktgf "d {"yj g"Grgextlecn'Ugevqapu0
- G0 Gs wkr o gpv'y j lej "lpenmf gu"cpwo dgt"qh'eqttrcvqf "grgextlecn'eqpvtqnf gxlegu"o qwpgf "kp"cp'ukpi rg"gpemqwtg"qt"qp"cp'eqo o qp'dcug'y kj "gs wkr o gpv'uj cm'dg"ur r rkgf "hqt"kpucm'vqap"eqo r rvgvqf "y ktgf "cu'wvk'y kj "vgo kpcrdqzgu"cpf "co r rg'rgcf u'cpf lqt"vgo kpcr'utk u."tgcf {"hqt"grgextlecn'y kłpi 0
- HD Grgextlecn'Eqpvtcevq"uj cm'hwtpkuj "mecn'f kaeqppgev'uy kej "hqt"cm'gs wkr o gpv'cpf "o cpwcn'o qvqt"uctvgt'hqt'htcevkpcn'J R'o qvqtu0

3083 FTCY KPI U<

- C0 Vj g"o gej cplecn'cpf "grgextlecn'f tcy kpi u'ctg"kpvgpf gf "vq"ur r rgo gpv'gcej "qyj gt"cpf "ctg"vq"dg"eqpukf gtgf "cu"cp'wvk'y j lej ."vngp"vqi gj gt"kp"eqplwpevqap"y kj "yj g"ur gekklecvkqpu."eqo r rvgvqf "f guctkdu"yj g'y qtn'vq"dg" f qpg0Cm'f tcy kpi u'uj cm'dg"ej gengf "vq'xgtkhf "ur cegu'kp'y j lej "y qtn'y km'dg"kpucmngf 0"Y j gtg'j gcf tqgo "qt"ur ceg"eqpf kłqpu"cr r gct'kpcf gs wvg."pq'whtlecvqap"uj cm'dg"i kxgp"vq" Gpi kpggt"dghqgtg'r tqeggf kpi "y kj "kpucm'vqap0
- D0 Vj g"Gpi kpggt"o c {"y kj qw'ej cti g."o cng"o qf khtecvqap"kp"yj g"rc {"qww'cu'pggf gf "vq"r tngxgp'eqph'ev"y kj "y qtn'qh'qyj gt"tcf gu'qt'hqt"r tqr gt"gzgewkqap'qh'yj g'y qtn0
- E0 P qvq'yj cv'yj g"ftcy kpi u'ctg" f lci tco o cvle"cpf "kpf lecvq"yj g"i gpgtcn'cttcepi go gpv'qh'yj g"O gej cplecn'cpf "Grgextlecn'Gs wkr o gpv'cpf "u'wgo u."y kj qw'uj qy kpi "gxgt {"f gvckl'cpf "hkwkpi 0
- F0 Y j gtg" eqph'ev" qeew" dgwy ggp" f tcy kpi u' cpf " ur gekklecvkqpu" qt" y kj kp" gkij gt." yj g" kgo " qt"cttcepi go gpv'qh'dgwt"s wcrk'f ."i tgcvg't"s wcrk'f {"qt"j ki j guv'equ'uj cm'dg"lpenmf gf "kp"Eqpvtcev'r tleg0" Gpi kpggt'uj cm'f gvgto kpg'yj g'o cpggt"qt" kgo "y kj "y j lej "y qtn'uj cm'dg"kpucmngf 0
- G0 Mgr "qpg"eqo r rvg'ugv'qh'cm'f tcy kpi u."ur gekklecvkqpu."uj qr "ftcy kpi u'cpf "cf f gpf c"qp"yj g"r tgo kugu"cv'cm'ko gu'kp'i qaf "eqpf kłqap"cpf "cxckrdng"vq"yj g"Gpi kpggt"cpf "Qy pgt0

3084 TGXKGY U<

- C0 Vj g"o cvgtknu"y qtno cpuj kr ."f guli p"cpf "cttcepi go gpv'qh'cm'y qtn'kpucmngf "wpf gt"yj g"O gej cplecn'cpf "Grgextlecn'ugevqapu"uj cm'dg"uwl'gev'vq"yj g'tgxkgy "qh'yj g"Gpi kpggt0
- D0 Y j gtg"cp {"ur gekkle"o cvgtknu'r tqegu'qh'o gj qf "qh'eqpwtwevqap"qt"o cpw'cewtgf "ct'v'erg"ku'ur gekhgf "d {"pco g"qt"d {"tghgt'peg"vq"yj g'ecv'qpi "pwo dgt"qh'c"o cpw'cewtgf."yj g"ur gekklecvkqpu"ctg"vq"dg"vugf "cu"cp'wvk'g"cpf "pq'v'kpvgpf gf "vq"vcng"r tgeg'f gpeg'qxgt"yj g"dcule" f w'f {"cpf "r gthqto cpeg"ur gekhgf "qt"

pqvgf "qp" f tcy kpi u0 "k" cm'ecugu "y" g'ur gekhe "ej ctcevgtku" qh'v'j'gs wkr o gpv'qh'gtgf "hqt" cr r tqxcn' uj cm'dg'kpf lecvgf "qp" v'j'g'uj qr "f tcy kpi u0

E0 Cn'leqo r qpgpv'r ctwu'qh'gcej "kgo" qh'gs wkr o gpv'qt "f gxleg"uj cm'dgct "y" g'o cpw'cewtgt u'pco gr r'v'g." i kxkpi " pco g" qh' o cpw'cewtgt." f guetkr v'kqp." uk'g." v'r g." ugtkri' qt" o qf gni' pwo dgt." gr'ev'lecn' ej ctcevgtku" gve0'kp" qtf g" v" l'cekrk'cvg" o cl'p'v'p'cepg" qt" tgr r'ego gpv0" Vj g" pco gr r'v'g" qh'c" uwdeqvt'cevqt"qt" f'k'v'k'w'q'v' y' kn'p'q'v'dg"ceegr v'cd'ng0

F0 K'i'o cvgtkri'qt"gs wkr o gpv'ku'k'p'uc'ngf "dgh'qtg" k'ku't'g'x'lg' y' gf. "k'uj cm'dg"tgo q'x'gf "cpf" t'gr r'egf "cv'pq" gz'v'c" ej cti g"v'j'g" Qy pgt "kh" "kp" v'j'g" q'r k'p'k'p' qh'v'j'g" Gpi k'p'ggt. "y" g'o cvgtkri'qt"gs wkr o gpv'f'q'gu'p'qv' o gg'v'j'g' k'p'v'p'v'q'h'v'j'g' f tcy kpi u'cpf "ur gekhecv'k'p'u0

305 UJ QR'FTCY KPI UK

C0 Eqpvt'cevqt"uj cm'uwdo k'hqt" t'g'x'lg' y' gr'ev't'q'ple"uj qr "f tcy kpi u" qh'cm'p'gy "gs wkr o gpv" o cvgtkri' r k'kpi "k'i j kpi "k'z'w't'gu" f'g'x'legu" r'c'p'gn" y' k'kpi "cpf" t'gr q't'u0" Gpi k'p'ggt u't'g'x'lg' y' qh'uj qr "f tcy kpi u" o w'v'd'g'eqo r r'v'g'f "dgh'qtg"cp{ "gs wkr o gpv'ku'r w'ej'c'ugf "qt"cp{ "y' q't'ni'ku'k'p'uc'ngf 0

D0 Uj qr "f tcy kpi u"uj cm'eq'p'ku'v'q'h'o cpw'cewtgt u'egt v'k'g'f "uecrg" f tcy kpi u." ewu"qt" ecv'c'ni' . "k'p'v'f' kpi " f guetkr v'x'g" r'k'g't'c'w'g" cpf "eqo r r'v'g" egt v'k'g'f "ej ctcevgtku" qh'gs wkr o gpv"uj qy kpi "f ko g'p'uk'p'u." ecr c'ek'v' . "eqf g't'gs v'k'go g'p'u." o q'v'q't"cpf "f t'k'x'g'v'g'u'k'p'i "cu'k'p'f' l'ec'v'gf "qp" v'j'g' f tcy kpi u'qt"ur gekhecv'k'p'u0" Cn'q."uj gg'v'o g'v'c'ni' h'c'd't'lecv'k'p' f tcy kpi u'f tcy p"v'q" uecrg" qh'3 l'6\$'v'j'g' h'q'v'q't' r'c'ti' g't0

E0 Egt v'k'g'f "r' g't'q'to c'p'eg" ew'x'gu' h'qt" cm'r' wo r kpi "gs wkr o gpv'uj cm'dg'uwdo k'w'gf "hqt" t'g'x'lg' y' 0

F0 Uco r'ngu" f tcy kpi u"ur gekhecv'k'p'u" ecv'c'ni' u" gve0'uwdo k'w'gf "hqt" t'g'x'lg' y' "uj cm'dg" r' t'q'r' g't'n' "r'ed'g'ng'f" k'p'f' l'ec'v'k'p'i "ur gekhe" u'g't'x'leg" h'qt" y' j' k'ej " o cvgtkri'qt"gs wkr o gpv'ku'v'q" dg" w'ug'f. "f k'x'k'k'p" cpf "ct'v'erg" p'wo dgt" qh'ur gekhecv'k'p'u' i' q'x'g't'p'k'p'i "Eqpvt'cevqt" u'p'co g'cpf "p'co g'q'h'l'q'd0

G0 Ec'v'c'ni' . "r'co r'j' r'v'w"qt" q'v'j'g't" f'q'ewo g'p'u" uwdo k'w'gf "v" f' g'ue't'k'd'g" k'go u" q'p" y' j' k'ej "t'g'x'lg' y' "ku" d'g'k'p'i " t'gs v'g'ug'f. "uj cm'dg"ur gekhe" cpf "k'f' g'p'v'k'lecv'k'p'k'p' ecv'c'ni' . "r'co r'j' r'v'w" gve0'q'h'k'go "uwdo k'w'gf "uj cm'dg" er'g'c't'n' "o c'f' g'k'p' k'p'n0" F'c'v'c' q'h'c'i' g'p'g't'c'ni' p'c'w't'g' y' kn'p'q'v'dg"ceegr v'gf 0

H0 T'g'x'lg' y' "u'co r" t'g'p'f'g't'g'f "qp"uj qr "f tcy kpi u"uj cm'p'q'v'dg" eq'p'uk'f' g't'g'f "cu" c"i' w'c't'c'p'v'g'g' qh'o g'c'u'w't'go g'p'u" qh'd'w'k'f' k'p'i "eq'p'f' k'k'p'u0" Y' j' g't'g'f' f tcy kpi u'ct'g' t'g'x'lg' y' gf. "u'ck'f" t'g'x'lg' y' "f'q'gu'p'q'v'o g'c'p" v'j'c'v'f' tcy kpi u" j' c'x'g" d'g'g'p" ej g'eng'f "k'p" f' g'v'c'k'0" U'ck'f" t'g'x'lg' y' "f'q'gu'p'q'v'k'p" cp{ "y' c{ "t'g'r'k'x'g" v'j'g" Eqpvt'cevqt" h'q'o "j' ku" t'g'ur' q'p'uk'k'k'v' { "qt" p'g'eg'uu'k'v' { "q'h' h'w't'p'k'uj k'p'i "o cvgtkri'qt" r' g't'q'to k'p'i "y' q't'ni'cu' t'gs v'k'g'f "d{ "y' g" Eqpvt'cev' f tcy kpi u'cpf "Ur gekhecv'k'p'u0

I 0 H'c'k'w't'g" d{ "y' g" Eqpvt'cevqt" v'q" uwdo k'uj qr "f tcy kpi u" k'p'co r' r'g'v'ko g' h'qt" ej g'eni'k'p'i "uj cm'p'q'v'g'p'v'k'g'f" j' ko " v'q" cp" g'z'v'g'p'uk'q'p' qh' Eqpvt'cev'cpf "p'q' e'ri'ko " h'qt" g'z'v'g'p'uk'q'p' d{ "t'g'cu'q' q'h' u'we'j' "f' g'h'c'w'v' y' kn'p'q'v'dg" cm'qy' gf 0

J 0 R't'k'q't" v'q" uwdo k'uk'q'p' qh'uj qr "f tcy kpi u" v'j'g" Eqpvt'cevqt"uj cm'v'j' q't'q'w'i' j' n' { "ej g'eni'g'cej "uj qr "f tcy kpi . " t'g'g'ev' v'j' q'ug" p'q'v' eq'p'h'q'to k'p'i "v" v'j'g" ur gekhecv'k'p'u" cpf "k'p'f' l'ec'v'g" d{ "j' ku" u'ki' p'c'w't'g" v'j'c'v' v'j'g"uj qr " f tcy kpi u'uwdo k'w'gf "k'p'j' ku'q'r k'p'k'p' o gg'v' Eqpvt'cev' t'gs v'k'go g'p'u0

306 EWWVKR I 'CPF 'RCVEJ KPI <

- C0 Ewwkpi "cpf" r cvej kpi "uj cmi' dg" f qpg" kp" ceeqtf cpeg" y kj " F kxkukqp" 23." ugevkap" 23954; " wprguu" qyj gty kug'ur gekkkgf 0
- D0 Vj g'I gpgtcl'Eqpvtcevq'ty kn'rgcxg'cmi'qr gpkpi u'cpf "dwkn/kp"unggxgu."ge0'cu'tgs vktgf ."r tqxkf gf "j g" tgegkxg"uco g'y kj "vj g'r tqr gt "kphqto cvkqp"cpf "eqqr gtcvkqp"tqo "vj g"Grgevtkecn'cpf lqt"O gej cplecn' Eqpvtcevq'tk'f wg'wlo g'cu'vj g'eqputwekqp'r tqi tguugu0
Cmi'ewwki "qh'qr gpkpi u'kp"y cmu."hqtu."r ctvkkqpu."ge0'pqv'vj wu'r tqxkf gf "hqt"o wuv"j qy gxgt."dg" f qpg"d{"vj g"Grgevtkecn'cpf lqt"O gej cplecn'Eqpvtcevq'tcu'tgs vktgf "vq"kpucm'vj g'y qtni'kpenw'kpi "cmi' ewwki "qh'gzknkpi "eqputwekqp"y qtm'cpf "vj ki'Eqpvtcevq'tuj cmi'tguvqtg'vq"ku'qtli kpcn'eqpf kxqp"cp{" y qtni'kuwdgf 0

RCTV'4'/'RTQF WEVU

403 O CVGFKNCU'CPF 'Y QTMOCPUJ R<

- C0 Cmi'o cvgtkcn" cpf " cr r ctcwu" wugf "uj cmi' dg" pgy ." qh' hkuv' ercuu" s wcrk{" " cpf "uj cmi' dg" hwtpkuj gf ." f gtxkxgf ."gtgevgf ."eqppgevgf "cpf "hpkuj gf "kp"gxgt {" f gvck0"P q"o cvgtkcn'qt"cr r ctcwu" wugf "uj cmi' dg" f kaeqpvkpwgf "qt"cdqww'vq"dg" f kaeqpvkpwgf "kgo u0
- D0' Vj g'Gpi kpggt'uj cmi'j cxg'vj g'tki j v'vq'tglgev'cp{" r ctv'qh'vj g'y qtni'kp"ecug"o cvgtkcn'qt"y qtno cpuj kr "ku" pqv'qh'ucvukcevqt {" s wcrk{ 0
- E0' Cp{"wpceegr vcdrg"y qtm'cpf "o cvgtkcn'uj cmi' dg" tgr rcegf "y kj "ceegr vcdrg"y qtm'cpf "o cvgtkcn'cv'pq" cf f kxqpcn'gzr gpug'vq'vj g'Qy pgt0
- F0' Kp"ecug'vj gtg"ku"cp{" f qwdv'qh'vj g'ceegr vcdkx{" "qh'cp{" o cvgtkcn"uwo k'uco r rgu'vq'vj g'Gpi kpggt "hqt" cr r tqxcn' cpf " qpn{" f ghkpkg" cr r tqxcn' kp" y tkkpi " hqo " vj g" Gpi kpggt "uj cmi' dg" gxkf gpeg" qh' uwej " cr r tqxcn' Uwej " cr r tqxcn'uj cmi'cnq"dg'uwdlgev'vq'vj g'ucvukcevqt {" kpucm'vq'qh'vj g'o cvgtkcn0
- G0 Vj g'y qtni' kp" gcej " qh' vj gug" ugevkapu" uj cmi' dg" eqpucpwn{" wpf gt" vj g" f ktgevkap" qh' c" eqo r gvgpv' uwr gtpvpgf gpv'y j q"uj cmi' dg" qp"vj g'r tgo kugu'f vtkpi "uwej "r gtkqf "cu'vj g'y qtni'ku"kp"r tqi tguu0" Vj g" uwr gtpvpgf gpv'uj cmi'ho kxctk' g'j ko ugrh'y kj "vj g'y qtni'qh'cmi'qy gt"ugevkapu"kpqxrgf "kpuqht"cu'vj g{" tgrcvg"vq"qt "kp"cp{" y c{" chgev'vj g'y qtni'qh'vj gug"ugevkapu."cpf "uj cmi'eqqtf kpcv'vj g'y qtno
- H0 Wprguu'qyj gty kug'pqvgf ."cmi'gs wkr o gpv'cpf "o cvgtkcn'uj cmi' dg" kpucm'gf "cpf lqt"cr r rkgf "kp"ceeqtf cpeg" y kj "vj g"tgeqo o gpf cvkqpu"qh'vj g"o cpwhcewgt"qh'uckf "gs wkr o gpv."kpenw'kpi "vj g'r gthqto cpeg"qh' cp{" vguu'tgeqo o gpf gf "d{" "vj g'o cpwhcewgt0

404 GS WRO GP V'XCTIC VIKP U<

- C0 Kp" vj gug"ur gekkcevkapu" cpf "qp" vj g" ceeqo r cp{ kpi " f tcy kpi u." qpg" qt" o qtg" o cngu" qh' o cvgtkcn." cr r ctcwu"qt"cr r rkcpegu"j cxg"dggp"ur gekkkgf "hqt" wug"kp"vj ku'kpucm'vq'0" Vj ku'j cu'dggp" f qpg" hqt" eqpxgpkpeg"kp"hzkpi "vj g"ucpf ctf "qh'y qtno cpuj kr "r gthqto cpeg"qh'cp{" o cvgtkcn."cr r ctcwu"qt" cr r rkcpeg" y j kej "uj cmi' dg" uwdukwgf "hqt" vj qug" o gpv'kpgf "j g'gk"uj cmi' cniq" eqphqto "vq" vj gug" ucpcftf u0
- D0 Y j gtg"pq"ur gekkkgf "o cng"qt" o cvgtkcn"cr r ctcwu"qt"cr r rkcpeg"ku"o gpv'kpgf ."cp{" "hkuv'ercuu'r tqf wev" o cf g'd{" c'tgr wcdrg"o cpwhcewgt"o c{" dg" wugf ."r tqxkf kpi "k'eqphqto u'vq'vj g'tgs vktgo gpv'qh'vj gug" ur gekkcevkapu"cpf "o ggu'vj g'cr r tqxcn'qh'vj g'Gpi kpggt0

E0 Tghgt'vq'I gpgtciEqpf kskapu'qh'vj g'eqptcevhqt'uwdukwkqp'r tqegf wtgu0

F0 Vq'uwdukwkg'qj gt'o cngu'qh'o cvgtkcu."cr r ctcwu"qt "cr r rkcpeg."vj cp"vj qug"o gpvkppgf "wpf gt"vj g"
o gej cplecrl'qt'grgevtlecl'ugev'kpu."c"tgs wguv'lp'y tkkpi "vq'dg"cmjy gf "vq"o cng'vj g'uwdukwkqp"uj cml'
dg" o cf g0' Vj ku" tgs wguv' uj cml' dg" ceeqo r cplkf " d{ " eqo r rvg" r rcpu" cpf " ur gekh'ecv'kpu" qh' vj g"
uwdukwkqp"qh'gtgf 0'K'uq'tgs wguv'gf "d{ "vj g'Ctej kgev'qt'Gpi kpggt."cnuq'uwdo k'uco r rgu'qh'dqvj "vj g"
ur gekh'gf "o cvgtkcl'qt'cr r rkcpeg'cpf "vj g'uwdukwkg0

405 CEEGUUF QQTU<

C0 Ceeguu'f qqtu'uj cml'dg'qh'uwdukwkqp'v'uk'g"vq"r gto k'gcu{ "tgr rcego gpv'qh'eqo r rvg"wpku"cpf "cml'
i tqwr kpi u"qh'eqo r rvg"wpku"cpf "cml'i tqwr kpi u"qh'xcxkgu"cpf "gs wkr o gpv'uj cml'j cxg"pgeguuct { "
engctepg" hqt "vj ku" uco g" r wtr qug0" Rtqxf g" ceeguu'f qqtu' hqt "gcej "xcxkg." f co r gt." eqptqn" h'g"
f co r gt."gve0"pqv'ceeguukdrg"*uwej "cu'cdqyg" c"ppp/rkh'qw'egk'kpi . "y cml'qt'ej cug+0" F qqtu'uj cml'dg"
O k'eqt"qt"gs wcl'r tko g'eqcvgf "uvgn"uetgy f tkxgt'qem'hqt' d'wkl'kpi "kp"y cml'qt'egk'kpi u0" F qqtu"
uj cml'dg'Uq'rg"C'lp'ceqvw'le'v'kg'uwthregu'cpf "Uq'rgu'M'N'qt'O "hqt'qj gt'uwthregu0" F qqtu'uj cml'dgct"
vj g"uco g"qt"i tgcvgt' h'g"tcv'kpi "cu"vj g"y cml'qt'egk'kpi "kp"y j lej "vj g{"qeevt0" Uk'g"qh'f qqtu'vq'dg"
f gvgto kpgf "ch'gt'xcxkgu'qt'f co r gtu'ctg'kpucmgf "cpf "uj cml'dg'qh'cf gs wcv'uk'g"vq"qr gtcv'uco g0

D0 Y j gtg'ceeguu'ku'tgs wktgf "vq" f co r gtu."xcxkgu."gve0"vj cv'qeevt'cdqyg"r{/lp'egk'kpi u"vj gug'ceeguu"
f qqtu'ecp"dg"qo kv'gf . " r tqxf gf " uwkcdrg" r m'wle" o ctn'gtu'kf gpv'k'kpi "gzcev'qecv'kqp" qh'xcxkgu."
f co r gtu."gve0"qp"r{/lp'egk'kpi u'ctg"cr r rkgf "f k'gew' "drgny "xcxkg"i tqwr kpi "cpf "kf gpv'k'kpi "d{"c"
pwo dgt."vj ku'pwo dgt"vq'dg"wgf "cu"c"o ctn'kpi "qp"xcxkg'qt'f co r gt'ej ct'0'Vci u'uj cml'dg'cr r rkgf "qp"
vj g'egk'kpi "i tkf . "pqv'qp"vj g'egk'kpi "v'kgu0

RCTV5"/GZGEWVKQP

503 EQPPGEVKE I 'VQ'GZ KUVKE I 'WVKNK/KGU<

C0 Eqppge'v'kpu"vq"gzk'kpi "w'k'k'kgu"vj cv'y kn'lpv'gtt'w'v'vj g"ugtx'kg"vq"vj g"r t'gugpv'dwkl'kpi u'uj cml'dg"
o cf g'cv'c'k'o g'ci tggf "wr qp"d{ "vj g'Qy pgt."Ctej kgev'cpf "Eqptcevt0

D0 K'k'ku'pgeguuct {"vq"o cng'eqppge'v'kpu"vq"gzk'kpi "w'k'k'kgu"q'wuk'g"vj g'tgi wrt"y qtn'kpi "j qwtu."vj ku"
uj cml'dg"pqvgf "qp"vj g"y tkv'gp"y qtn'qtf gt"cpf "vj g"t'gur ge'v'kg"Eqptcevt"y kn'dg"r ckl' "hqt"vj g"
cf f k'k'k'p'c'le'quv'qh'ed'qt'qxgt'cpf "cdqyg"y j cv'k'y qwf "equv'cv'tgi wrt'f c{"k'o g'tcv'gu0

504 HIGK J V.'ECTVKE I 'CPF'TKI KPI <

C0 Eqptcevt"uj cml'r c{"cml'ht'gki j v'cpf'ect'kpi "ej cti gu'pgeguuct {"vq" f gr'kxgt"cm"gs wkr o gpv'hw'pkuj gf "
wpf gt"j ku'Eqptcevt'vq"vj g'ukg'cpf "hw'pkuj "cml'pgeguuct {"tki i kpi "vq"r tq'grtn{"tki "cpf "ugv'vj g'cr r ctcwu"
qp"vj g'hq'wpf cv'kpu."h'co gu."gve0

D0 Cml'uech'qf kpi . "dqemu"cpf "vcemg."tqr gu'cpf "ej cl'pu"cpf "qj gt"gs wkr o gpv'pgeguuct {"vq"tki "cpf "ugv"
vj g'cr r ctcwu'uj cml'dg'hw'pkuj gf "d{"vj g'Eqptcevt0

E0 Vj g'Eqptcevt"uj cml'ugv.'rgxgr'cpf "cni p'cml'gs wkr o gpv'dgh'qtg'uct'kpi "qr gtcv'kpu0

505 UGKU KE'TGUVTCR VU<

C0 K'ku'yj g'lpvqv'qh'yj ku'ugkuo le'tgutckpv'r qtvkqp'qh'yj g'ur gekhlecckp"vq"r tqxkf g'tgutckpv'qh'cm'pqp/
 utwewtcl' d'wrf kpi " u' ugo " eqo r qpgpw" r tqxkf gf " kp" Ugevkpu" 45" cpf " 48" kp" Uguo le" \ qpg" KQ"
 Tgutckpv'u' ugo u'cpf " f gxlegu'ctg'lpvqpf gf "vq'y kj ucpf .y kj qw'fckwtg.'y g'SI \$'hqtgu'f gvckrgf "kp"
 yj g'ej ctv'dgry <

F guki p'Ngxgr'qh'Ceegr'g'ckp'CV'Gs wkr o gpv'Egpyt'qh'I tckxk' 'Uguo le" \ qpg"4+
 *Cx"/"@B'v'2B; +

Grgxckp *hggv'tgr'v' i tcf g" rgxgn+	Tki kf, O p'v' "Gs wkr	P qp/Utwewt' 'Ctej kgev' Eqo r qpgpw	Hgzckrg, " O p'v' "Gs wkr	Rlr g.'F wev." Eckrg'vc{u." Eqpf wkr.'Gve0	Nhg" 'Uchg0' Gs wkr
Dgry 'I tcf g'w'v'q" 42'hggv' cdqxg" i tcf g	20847'Si \$	20472'Si \$	20722'Si \$	20572'Si \$	30222'Si \$
43'h0/'522'h0	20722'Si \$	20772'Si \$	20972'Si \$	20872'Si \$	30222'Si \$
523'h0/'822'h0	20972'Si \$	20 22'Si \$	30222'Si \$	30222'Si \$	30222'Si \$

;', Tki kf "o qwpvgf "gs wkr o gpv'ku'cp{ "gs wkr o gpv'o qwpvgf "f ktgev' "vq" utwewt'g0" Hgzckrg"o qwpvgf "
 gs wkr o gpv'ku'cp{ "gs wkr o gpv'o qwpvgf "qp'tguk'rgpv'ur r qtvu."egk'kpi "uwur gpf gf ."tqqh'ur r qtv'gf "qt"
 o qwpvgf "qp'cp'lpf gr gpf gpv'htco g'y kj "cp{ 'r tko ct { 'pcw'cn'htgs wgepe { 'dgr'y '38'J | 0

D0 Uguo le'tgutckpv'uj cm'dg'cu'tgs wkr gf 'd{ 'y' g'4238'Eqppge'kew'Dwrf kpi 'Eqf g0

E0 Tghgt'v'ugevkqp"44276: 'cpf 'f tcy kpi u'hqt'f gvcku0

F0 Uguo le'Egt'w'lecckp'cpf 'Cpcn'uku

30 Uguo le'tgutckpv'ecre'w'ckpu"o wuv' dg" r tqxkf gf "hqt"cm'eqppge'ckpu"qh'gs wkr o gpv'vq"y' g"
 utwewt'g0

40 Ecre'w'ckpu" vq" ur r qtv' uguo le" t'gutckpv' f guki pu" o wuv' dg" uco r gf " d{ " c" tgi k'v'gf "
 r tqhg'uk'pcn'gpi kpggt'ile'g'pugf "lp'y' g'U'c'v'g'qh'E'q'p'p'g'e'k'ew0

50 Cpcn'uku"o wuv'lpf'k'ev'g'f'gcf "m'qcf u."f'g'k'x'g'f "m'qcf u."cpf "o c'v'g'k'cu'w'ugf "hqt"eqppge'ckpu"vq"
 gs wkr o gpv' cpf " utwewt'g0" Cpcn'uku" o wuv' f'g'v'ck' c'pej qtkpi " o g'y qf u." d'q'v' f'k'co g'v'gtu."
 go dgf o gpv.'cpf 'y' g'f 'rgpi yj 0

60 C'ugkuo le'f'guki p'gtt'qtu'cpf "qo ku'k'q'pu'k'p'w'c'p'eg'egt'w'lec'v'g'o wuv'cee'qo r cp{ 'u'wdo k'v'cu0

G0 Uwdo k'f' tcy kpi u'uj qy kpi "m'ec'v'ckpu"qh'cm'ugkuo le'tgutckpv' hqt"gs wkr o gpv."r k' kpi ."cpf "eqpf wkr"
 r tqxkf gf "wpf gt'Ugevkpu"43."44."45."48."49"cpf "4: 0

30 Vj g'v'gto 'GS W'RO GP V'k'p'w'f'g'u'CNN'pqp/utwewt'cl'eqo r qpgpw0"Vj gug'ur gekhlecckp'ct'g"
 cr r'ile'cdrg'y kj kp'y' g'f'ce'k'k'v' { 'cpf "7" 'hggv'q'w'ul'f'g'qh'y' g'g'h'q'w'p'f'ck'p'p'y'c'nf0"Gs wkr o gpv'd'w't'k'f' "
 w'p'f'g'ti t'q'w'p'f' "ku" g'z'w'f'g'f "d'w' g'p'v' { "qh'ug't'x'legu" y' t'q'v' i j "y' g'g'h'q'w'p'f'ck'p'p'y'c'nf'ku'k'p'w'f'g'f 0"
 Gs wkr o gpv't'gh'g't'g'f "vq'd'g'ry "ku" c" r'c't'v'ck'v'ku="gs wkr o gpv'p'q'v'ku'v'g'f "ku'w'k'm'k'p'w'f'g'f "lp'y' ku"
 ur gekhlecckp+0

CE'Wpku

Eqpf gpukpi 'Wpk

Eqpf wkw CmlGrgestleclnRcpgnu

H0 Uwdo kwenu'uj cmlkpenw g'c'htkupi "qh'cmlkuqrcvgf "cpf 'pqp/kuqrvgf "gs wkr o gpv'vq "dg'tgutckpfg0

I 0 Ugkuo le'tgutckpw'uj cmlpqv'dg'tgs wktgf "hqt'v'j g'hqmqy kpi "kpuvncvqpu<

- 30 Rkr kpi 'kp'o gej cplecni'tqgo u'rguu'v'j cp'h'3 l6/kpej 'lpukf g'f kco gvgto
- 40 Cml'qv'j gt'r k kpi 'rguu'v'j cp'4'3 l4/kpej 'lpukf g'f kco gvgto
- 50 Cml'grgestleclneqpf wv'rguu'v'j cp'4'3 l4/kpej 'lpukf g'f kco gvgto
- 60 Cml'tgevcpi wct'ck/j cpf r'kpi 'f wev'rguu'v'j cp'8'us wct g'ggv'lp'etquu/ugev'kqpcrictgc0
- 70 Cml'tqwpf "ck/j cpf r'kpi 'f wev'rguu'v'j cp'4: 'lpej gu'lp'f kco gvgto
- 80 Cml'r k kpi "uwur gpf gf "d{ "lpf kxkf wcnj' cpi gtu'34'lpej gu'qt'rguu'lp'rgpi v'j "htqo "v'j g'vqr "qh'v'j g' r k g'v'v'j g'dqvqo "qh'v'j g'lwur r qtv'ht'v'j g'j cpi gt0
- 90 Cml'f wev'uwur gpf gf "d{ "j cpi gtu'34'lpej gu'qt'rguu'lp'rgpi v'j "htqo "v'j g'vqr "qh'v'j g'f wev'v'v'j g' dqvqo "qh'v'j g'lwur r qtv'ht'v'j g'j cpi gt0

J 0 Nkg'uchgv{ "u{ vgo u'f ghkpgf <

- 30 Cml'u{ vgo u'lpqxqrgf "y kj "htg'r tqvge'v'kq'kpenw kpi "ur tkpmgt'r k kpi . "ugt'xleg"y cvgt"uwur r n{ " r k kpi . "htg'f co r gtu'cpf "uo qng'gzj cwu'u{ vgo u0
- 40 Cml'u{ vgo u'lpqxqrgf "y kj " cpf lqt "eqppgevgf "vq" go gti gpe{ " r qy gt" uwur r n{ " kpenw kpi " cml' i gpgtcevqtu. "tcpuht"uy kej gu. "tcpuhtqto gtu" cpf " cml' hqy " r cvj u" vq "htg" r tqvge'v'kq' cpf lqt" go gti gpe{ " hki j v'kpi "u{ vgo u0
- 50 Htguj "ck" tgr'gh'u{ vgo u" qp" go gti gpe{ " eqpvtqri' ugs wpep" kpenw kpi " ck" j cpf rgtu. "eqpf wkw" f wev'f co r gtu. "gve0

506 EQQRGTCVKQP "Y KJ 'QVJ GT"VTCF GU<

C0 P q'r k kpi . "f wev. "eqpf wkw. "xcxgu. "dqz gu. "gve0" uj cml' dg" kpuvncv' "wpvki' v'j g" gpv'k g" twp" j cu' dggp" ej gengf "hqt' ergetcpeg" cpf "v'j g' y qtn' j cu' dggp" eqqtf kpcv'g' "dgw ggp" cml' v'j g' "v' tcf gu0" Gcej "v' tcf guo cp" uj cml' dg' t' gur qpukdr' hqt' v' cml' kpi " j ku' qy p' hkrf " o gcuw' go gpw' cpf " o cl' v' k' l' kpi " r tqr gt' ergetcpeg" htqo " v'j g" "Qy pgt' u' gs wkr o gpv' cpf "v'j g' y qtn' qh' qv'j gt" v' tcf gu. " cpf "hqt' eqqtf kpcv' kpi " j ku' y qtn' v'j kj "v'j cv' qh' qv'j gt" "Eqpvtcevqtu" cpf "Qy pgt0" Hwt' pluj " cml' pgeguuct { " kphqto cv'kq. " f ko gpukqpu. " vgo r r' vgu. " gve0' k' p" qtf gt' v'j cv' c' r' gthge'v' { " eqqtf kpcv'g' " lqd' y kni' guw' n0

D0 Eqpvtcevqt'uj cml' ectt { "qwj' ku' y qtn' k' p' eqplwpev'kq' y kj "qv'j gt' v' tcf gu' cpf "uj cml' k' g' hwn' le' eqqr g' tcv'kq' " v'j qv'j gt' v' tcf gu0' Eqpvtcevqt'uj cml' hwt' pluj " cml' kphqto cv'kq' pgeguuct { "v'j r' gto k' y' qtn' qh' cml' v' tcf gu' v'j dg' kpuvncv' " k' p' c' uc' v' k' h' cev' t { " o c' p' p' gt0

E0 Y j gt' g' ur ceg' ku' u' rko k' g' f "v'j cv' Eqpvtcevqt' u' y qtn' luj cml' dg' kpuvncv' " k' p' em' ug' r tqzko k' { "v'j v'j g' y qtn' qh' qv'j gt' v' tcf gu' qt' y j gt' g' k' ku' g' x' k' f gpv' v'j cv' Eqpvtcevqt' u' y qtn' v'j kni' k' p' v' t' h' g' t' y kj "qv'j gt' v' tcf gu. " j g' luj cml' cu' ku' v' k' p' y qtn' kpi "qww' ur ceg' eqpf k' k' q' pu' v'j " o cng' uc' v' k' h' cev' t { " cf l' w' uo gpw' 0' k' i' t' g' s w' k' t' g' f " q' t' f' l' t' g' e' v' g' f " d { " Gpi k' p' g' g' t. " v'j g' Eqpvtcevqt' u' j cml' r t' g' r' ctg' eqo r qu' k' s' y qtn' kpi " f tcy kpi u' cpf " uge' v' k' q' pu' qh' p' q' v' r' g' u' u' v'j cp' 5 l6\$ / 3) 2\$ " uec' r' g' erget' n' { " u' j qy kpi " j qy " j ku' y qtn' ku' v'j dg' kpuvncv' " k' p' eqplwpev'kq' y kj "qv'j gt' v' tcf gu= j g' luj cml' o cng' eqtt' g' e' v' k' q' pu' p' g' e' g' u' u' c' t { "v'j uc' v' k' h' cev' t k' { " eqo r r' g' v' g' kpuvncv' k' p' cv' p' q' cf f k' k' q' p' c' n' e' q' u' v' j " Qy pgt0

F0 Cml' uwur r qtu' hqt' j cpi kpi " o cv' t' k' c' n' v' q' " dg' eqppgevgf " v'j " uv' g' n' ut' wew' t' g' u' j cml' dg' kpuvncv' " r t' k' q' t' v' j kpuvncv' k' p' qh' h' k' g' r' t' q' h' kpi " o cv' t' k' c' n' 0' T' g' h' t' v' q' F' k' k' u' k' q' p' 9' qh' v'j g' ur g' e' k' t' e' c' v' k' q' u' 0'

Cp{ 'f co ci g'v'q'htgr tqqlkpi 'ecwugf 'd{ 'rcvg'kpuvcnkvqp'qh'j cpi kpi 'o cvgtkcn'uj cmi'dg'tgr cktgf 'd{ 'y'j g'
Hktgr tqqlkpi 'Eqpvtcevqt'cv'y'j g'zr gpug'qh'y'j g'Eqpvtcevqt'tgur qpukdng0

G0 Vj g'Rnwo dlpi "cpf "J gcvkpi "Eqpvtcevqtu'uj cmi'i kxg"v'j g"Grgvtecln'Eqpvtcevqt"cm'lphqto cvkqp"qp"
uy kej gu."eqpvtqnu."r kqyu."gve0hwtpkuj gf "wpf gt"v'j g'Rnwo dlpi "cpf "J gcvkpi "Eqpvtcevu."vqi gj gt"y kj "
o cngu"cpf "ecvnci "pwo dgtu'y j gtg'tgs wktgf "v'j r gto k'v'j g"Grgvtecln'Eqpvtcevqt"v'j'rgcxg"v'j g'r tqr gt"
dqzgu"v'j tgegkxg"uco g0" Vj ku'lphqto cvkqp"uj cmi'dg"i kxgp"y gmi'kp"cf xcpeg"uq"v'j cv'y'j g"Grgvtecln'
Eqpvtcevqt"o c{ 'kpuvcn'j ku'y qtm'cu'eqputvevqp'r tqi tguugu0'k'v'j g'gxp'v'j cv'y'j ku'lphqto cvkqp'ku'pqv'
i kxgp"kp"v'j g"v'j r gto k'v'j g"Grgvtecln'Eqpvtcevqt"v'j'rgcxg"r tqr gt" dqzgu."gve0'cu"eqputvevqp"
r tqi tguugu."k'uj cmi'dg"v'j g'tgur qpukdng'qh'y'j g'Eqpvtcevqt"v'j r c{ "cm'equu'qh'ewkpi "cpf "r cvej kpi "
eqputvevqp'tgs wktgf 'dgecwug'qh'y'j ku'pgi nge0

507 K'HQTO CVKQP 'HQT'GNGEVTKECN'EQP VTCEVQT<

C0 F grkxg"v'j g"Grgvtecln'Eqpvtcevqt"cm'lphqto cvkqp"qp"o qvqtu"cpf "eqpvtqnu'hwtpkuj gf "wpf gt"v'j g"
O gej cplecln'Eqpvtcev"vqi gj gt"y kj "o cngu"cpf "ecvnci "pwo dgtu."v'j r gto k'v'j g"Grgvtecln'Eqpvtcevqt"
v'j'rgcxg"v'j g'r tqr gt"dqzgu"cpf "y kpi 0

D0 Gcej "grgvte"o qvqt'qh'34"j 0'0qt"o qtg'uj cmi'dg'hwtpkuj gf "y kj "cp"cwqo cve"uvtvgt0

E0 Uctvgtu'uj cmi'dg'hwtpkuj gf "kp"v'j r g"v'j dg'tgo qvgn' "eqpvtqmgf"cpf "hgf"htqo "f wcn'xqnci g'tcpuhqto gt"
42: 1682'342'xqnu0

F0 Uctvgtu"v'j j cxg"qxgtmqcf "cpf "wpf gtxqnci g"r tqvgevkp0" Uctvgtu"uj cmi'dg" qh'v'j g"eqo dlkcvkqp"
f kueqppge'vuy kej "cpf "uvtvgt"v'j r g0

508 UNGGXGU.'KUGTVUCPF 'CPEJ QT'DQNVU<

C0 Cmi'r kr gu"cpf "eqpf wku'r cuukpi "v'j tqwi j "hmqtu."y cmi'qt"r ctvkvkpu'uj cmi'dg"r tqxkf gf "y kj "unggxgu"
uk'gf "v'j"i kxg"o"o kpo wo "qh'34\$"ergctcpeg'dgw ggp"unggxg"cpf "v'j g"qwuk'g"fkco gvgt"qh'v'j g'r kr g."
eqpf wku'qt'kpuwcvkqp."gperukpi "v'j g'r kr g"qt"eqpf wku0

D0 Unggxgu"v'j tqwi j "eqpetgv"hmqtu"qt"kvgtkqt"o cuqpt { "y cmi'uj cmi'dg"Uej gf wr'62"uvgn'r kr g."ugv'hwuj "
y kj "hpkuj gf "y cmi'qt"egk'kpi "uwt'cegu."dw'gzv'p'kpi "4"lpej gu'cdq'xg'hpkuj gf "hmqtu"qt"uj cmi'dg"kp"
ceeqtf cpeg'y kj "f gvcku'qp"v'j tcy kpi u0"

K'cmi'o gej cplecln'gs wkr o gpv'tqgo u"qt"r gpv'j qwugu."unggxgu"uj cmi'gzv'p'f "8"lpej gu'cdq'xg'hpkuj gf "
hmqt0

E0 K'pugt'v'uj cmi'dg"kp'k'kf wcn'qt"u'v'j r g"qh'uvgn'qt"o cmgcdng'k'qp"eqputvevqp"ht"tgo qxcdng"pwwu"
cpf "v'j tgcf gf "tqf u'wr "v'j 516\$'fkco gvgt."r gto kvkpi "rcvgtcnc'f lwwo gp0

F0 Rtq'xkf g"guewej g'p'p'qp"cmi'r kr gu"cpf "eqpf wku"y j gtgxg"v'j g{ "r cuu"v'j tqwi j "hmqtu."egk'kpi u."y cmi."
qt"r ctvkvkpu"kp"hm'kuj gf "ctgcu0" Guewej g'p'p'ht"r kr gu"r cuukpi "v'j tqwi j "hmqtu"uj cmi'dg"TK/VGT"
RCVVGTP"CPF"ECUVKPI"EQORCP[. "P q058C"qt"cr r tqxgf "gs wcn'ur rk'v'j kpi gf."ecuv'dt'cuu"v'j r g"
f guki p'ev'gf "v'j h'v'j r g"qp"qpg'p'f "cpf "eqxg't'creq'xg'r tq'lg'ev'kpi "v'j tqwi j "hmqt"qp"v'j g"q'v'j gt"p'f 0
Guewej g'p'p'ht"r kr gu"uj cmi'dg"TK/VGT"RCVVGTP"CPF"ECUVKPI"EQORCP[. "P q05C"qt"
cr r tqxgf "gs wcn'ur rk'v'j kpi gf."ecuv'dt'cuu."ej tqo kwo "r rcv'gf "v'j r g0"

509 HKT'G'UVQRRKPI <

C0 I gpgten

30 Hktguvqr r kpi <" O cvgtkcn'qt"eqo dlpvcvqp"qh"o cvgtkcn" wugf "vq"tgvcvqp"kpvgi tkv{ "qh"htg'vcvqf " eqputwevqp"d{ "o clpvcvqp"cp"ghgevkxg"dcttktg"ci clpuv"vj g"ur tgc{ "qh"mco g."uo qng."cpf" j qvi cugu"vj tqwi j "r gpgtcvqp"lp'htg'vcvqf "y cni'cpf "hqt"cuugo drkgu0

D0 I gpgtenI guetk vqp"qh"vj g"Y qtm'<"Qpn{ 'vgvqf 'hktguvqr "u{ ugo u'uj cni'dg'wugf "lp"ur gekh'e'qecvqp" cu"hmjy u<"Rpgtcvqp"ht"j g"r cuuci g"qh"fwv."ecdng."ecdng"vc{."eqpf vkw."r kpi ."grvtecn' dwuy c{u"cpf" tcegy c{u"vj tqwi j "htg'vcvqf "xgtvcecn' dcttktg" *y cmi"cpf" r ctvkvqp+." j qtk qpvcn' dcttktg" *hqt legkpi "cuugo drkgu+."cpf "xgtvcecn'ugt xleg"uj ch'y cmi"cpf "r ctvkvqp0

E0 Tghgtpegu

30 Vguv'Tgs wkt go gpw<"CUVO 'G': 36."\$Ucpcf ctf 'O gyj qf "qh'Hktg"Vguv'qh'Vj tqwi j "Rpgtcvqp" Hktg'Uqr u\$"Lwn{ '3; ; 9+0

40 Wpf gty tkgtu'Ncdqtcvqtkgu"*WN+qh'P qt vj dtqqm"KN'twpu'CUVO 'G': 36'wpf gt'vj gkt" f guki pcvqp"qh'WN'369; "cpf" r wdrkuj gu'vj g'tguvnu'lp'vj gkt '\$HKT'G'TGUKJVCPEG" FKTGEVQT['\$'vj cv'ku'w'f cvqf "cppwem{0

50 Kpvtgpcvqp'cn'Hktguvqr 'Eqwpekn'I wkf grkpgu'ht'Gxcnvcvpi 'Hktguvqr "U{ ugo u'Gpi kpggtkpi " Lxf i o gpv

60 Vguv'Tgs wkt go gpw<"CUVO 'G': 6/; 8."\$Uwthceg'dwtv'kpi "ej ctcevt knku\$0

70 Cni'o clqt'dwkv kpi "eqf gu<"EDQ."UDEEK'DQEC."cpf "DE0

80 Vguv'Tgs wkt go gpw<"CUVO 'G'33; ."oHktg"Vguv'qh'Dwkv kpi "Eqputwevqp"cpf "O cvgtkcnö"*WN" 485+

F0 S wcrkv{ 'Cuwtcpeg

30 Hktguvqr " U{ ugo " kpuvcvqp" o wuv" o ggv' tgs wkt go gpw" qh' CUVO " G'33; ." CUVO " G': 36." CUVO 'G': 6/; 8."WN'458."WN'369; "qt"WN'429; "vgvqf "cuugo drkgu"vj cv'r tqxkf g" c"htg'vcvqf " gs wcn'vq"vj cv'qh'eqputwevqp"dglpi "r gpgtcvqf 0

40 Hktguvqr " U{ ugo u" f q" pqv' tggucdrkuj " vj g" utwewtcn' kpvgi tkv{ " qh" rcf" dgctkpi " r ctvkvqpulcuugo drkgu."qt"uw' r qtv'rkxg'rqcf u"cpf "tchke0"Kpuvcvqf "uj cni'eqpuw"vj g'utwewtcn' gpi kpggt"r tkqt"vq"r gpgtcvqf "cp{ "hcf"dgctkpi "cuugo dr{0

G0 Uwo kvcni

30 Uwo k' Rtqf wev'F cvc<"O cpwhcewtg'u"ur gekh'e'vqp"cpf "vgej pkecn'f cvc"ht" gcej "o cvgtkcn' kpenf kpi "vj g"eqo r qukvqp"cpf "rko kcvqp."f qewo gpcvqp"qh'WN"htguvqr "u{ ugo u"vq"dg" wugf "cpf" o cpwhcewtg'u'kpuvcvqp'kputwevqp"vq"eqo r ni "y kj "Ugevqp"2355220

40 Uwo k'o cvgtkcn'luchv{ 'f cvc'uj ggu'r tqxkf gf "y kj "r tqf wev'f grkxgtgf "vq'lqd/ukg0

H0 Kpuvcvqf 'S wcrkh'e'vqp

30 Gpi ci g"cp"gzr gtlgpegf "kpuvcnngt"y j q"ku"egt vkgf. "kegpugf. "qt"qvj gty lug"s wcnkkgf "d{"vj g"
hkt guqrr kpi "o cpwhcewtgt" cu"j cxkpi "dggp" r tqxkf gf "vj g" pgeguact {" vcklpi "v" kpuvcn"
o cpwhcewtgt" r tqf weu'r gt "ur gekhgf "tgs vkt go gpw0"

I 0 Rtqf weu.'I gpgtcn

30 Rtqxf g'hkt guqrr kpi "eqo r qugf "qh'eqo r qpgpw"vj cv'tg'eqo r cvkdrng'y kj "gcej "qvj gt. "vj g"
uwdm cvgu'hqto kpi "qr gplpi u."cpf "vj g"lgo u."kh'cp{. 'r gpgt cvkpi "vj g'hkt guqrr kpi "wpgt"
eqpf kkpuph'ugtxleg"cpf "cr r rckcvkp."cu'f go qpuct cvgf "d{"vj g'hkt guqrr kpi "o cpwhcewtgt"
dcugf "qp"vkvpi "cpf "hkrf "gzr gtlgpeg0

40 Rtqxf g'eqo r qpgpw"ht "gcej "hkt guqrr kpi "u{ ugo "vj cv'tg"pggf gf "v"kpucm'hkn'o cvgtkcn'
Wug"qpnf "eqo r qpgpw"ur gekhgf "d{"vj g"ht guqrr kpi "o cpwhcewtgt"cpf "cr r tqxgf "d{"vj g"
s wcnkkgf "vkvpi "ci gpe{ "hqt"vj g'f guk pcvgf "hkt g'gukvcpeg/tcvgf "u{ ugo u0

50 Hkt guqrr kpi "O cvgtkcn"ctg"glj gt "oecuvkp/r mego"kpvi tcn'y kj "eqpetgvg"r mego gpv"qt"
or quv'kpucnngf 0""Rtqxf g'ecuvkp/r mego hkt guqrr "f gxlegu'r tkqt "v"eqpetgvg'r mego gpv0

J 0 Ceegr vdrng'O cpwhcewtgtu

30 Uwdlgev"v"eqo r rckpeg'y kj "vj tqwi j 'r gpgt cvkpi hkt guqrr "u{ ugo u"*ZJ G\ +cpf "lqkp'u{ ugo u"
*ZJ DP +hkvf "kp"Xqno g"Kqhv"vj g'WN'Hkt g'Tgukvcpeg"F kt gevqt {" r tqxkf g'r tqf weu'qh'vj g"
hqny kpi "o cpwhcewtgtu"cu'kf gpvkhgf "dgrny <

c0 J knk'kpe0'Vwnc.'Qmcej qo c": 22/: 9; /: 222
d0 Qvj gt"o cpwhcewtgtu'hkvf "kp"vj g'WN0Hkt g'Tgukvcpeg"F kt gevqt {"o'Xqno g"4

K 0 O cvgtkcn

30 Wug"qpnf "hkt guqrr "r tqf weu"vj cv'j cxg"dgpp"WN"369; ."CUVO "G": 36."qt"WN"429; "vkvf "hqt"
ur gekhgf "hkt g'cvgf" eqput vckp" eqpf kkpuph'ugtxleg"cpf "cr r rckcvkp."cu'f go qpuct cvgf "d{"vj g"
r gpgt cvkpi "lgo "v{r g." cppvwt" ur ceg" tgs vkt go gpw. "cpf "hkt g'cvkpi "kpxqrgf "hqt" gcej "
ugr ctcvg'kpucpeg0

40 Rtqxf g'c"ht guqrr "u{ ugo "y kj "c"\$H\$Tcvkpi "cu'f gvto kpgf "d{"WN"369; "qt"CUVO "G": 36"
y j lej "ku"gs wcn'v"vj g'vko g'tcvkpi "qh'eqput vckp"dgkpi "r gpgt cvgf 0

50 Rtqxf g'c"ht guqrr "u{ ugo "y kj "cp"Cuugo dnf "Tcvkpi "cu'f gvto kpgf "d{"WN"429; "y j lej "ku"
gs wcn'v"vj g'vko g'tcvkpi "qh'eqput vckp"dgkpi "r gpgt cvgf 0

L 0 Rtgr ctcvkv

30 Xgtkh'cvkpi" qh"Eqpf kkpuph'ugtxleg" Gzco kpg"ctgcu" cpf "eqpf kkpuph'ugtxleg" wpgt" y j lej "y qtni'ku"v" dg"
r gthqto gf "cpf "kf gpvkh' "eqpf kkpuph'ugtxleg" gvtko gpvkh'v" r tqf gt"qt"vko gnf "eqo r rkvkpp0

c0 Xgtkh' "r gpgt cvkpi"ctg"r tqf gtnf "ukf gf "cpf "kp"uwxcdng"eqpf kkpuph'ugtxleg"cr r rckcvkpi"qh"
o cvgtkcn0

- d0 Uwthcegu"vq"y j lej "hkt guvqr "o cvgtkcnu"y km'dg"cr r rkgf "uj cm'dg"htgg"qh'fktv"i tgcug."
qkn"twuv."nkcpeg."tgrgcug"ci gpvu."y cvgt"tgr gmppvu."cpf "cp{"qj gt"uwducpegu"y cv"
o c{"chgevr tqrgt"cfj gukqp0
- e0 Rtqxkf g"o cunlpi "cpf "vgo r qtct {"eqxgtkpi "vq"r tgxgpv'uqkpi "qh'cf lcegpv'uwthcegu"d{"
hkt guvqr r lpi "o cvgtkcnu0
- f0 Eqo r n{" y kj "o cpwhcewtgt"u" tgeqo o gpf cvkpu" hqt" vgo r gtcwtg" cpf " j wo kf k{"
eqpf kkp'u'dghqtg."f vtlpi "cpf "chgt"kpucmvkqp"qh'hkt guvqr r lpi 0
- g0 Fq'pqvr tqeggf "wpvkl'wpucvukcevt {"eqpf kkp'u"j cxg'dggp"eqttgevgf 0

M Eqqtf kpcvkqp

- 30 Eqqtf kpcvg"mccvkqp"cpf "r tqrgt"ugrgekqp"qh'ecuvkp/r mceg" hkt guvqr "F gxlegu"y kj "vctf g"
tgur qpukdrg"ht"y g'y qtn0" Gpuwtg" f gxleg"ku"kpucmvgf "dghqtg"r mcego gpv'qh'eqpetvgg0
- 40 Tgur qpukdrg"vctf g"vq"r tqxkf g"cf gs wcvg"ur celpi "qh'hkgr"twp"r kr gu"vq"cmjy "hqt"kpucmvkqp"
qh'ecuvkp/r mceg" hkt guvqr "f gxlegu"y kj qw'kpvtghgt gpegu0

NO Kpucmvkqp

- 30 Tgi wcvqt {"Tgs vktgo gpv<"kpucmvkqp" hkt guvqr "o cvgtkcnu"kp"ceeqtf cpeg"y kj "WN"htg"tgukvcepg"
Fktgevt 0
- 40 O cpwhcewtgt"u" kputwevkpu<"Eqo r n{" y kj "o cpwhcewtgt"u" kputwevkpu" hqt" kpucmvkqp" qh"
y tqwi j /r gpgtcvkqp"cpf "eqputwevkqp"lqkv'o cvgtkcnu0
- c0 Ugcni'cmi'j qrgu"qt"xqkf u'o cf g"d {"r gpgtcvkpu"vq"gpwtg"cp"ck"cpf "y cvgt"tgukvcpv"
ugcn0
- d0 Eqpuwv'y kj "r tqlgev'o cpci gt."cpf "f co r gt"o cpwhcewtgt"r tlqt"vq"kpucmvkqp"qh'WN"
hkt guvqr "u{vgo u'y cv'o k j v'j co r gt"y g'r gthqto cpeg"qh'htg" f co r gtu'cu'k'r gt v'kpu"
vq" f wv'y qtn0
- e0 Rtqgev'o cvgtkcnu"htqo "f co ci g"qp"uwthcegu"uwdlgevgf "vq"vcthke0

O0 Hkgrf 'S wcrk' 'Eqpvtqn

- 30 Gzco kpg" ugcrgf "r gpgtcvkqp" ctgcu" vq" gpwtg" r tqrgt" kpucmvkqp" dghqtg" eqpegckpi " qt"
gpenqulpi "ctgcu0
- 40 Mggr "ctgcu"qh'y qtn'ceeguukdrg"wpvkl'kpur vekqp"d {"cr r rkecdrg"eqf g'cwj qt kkgu0
- 50 Rgthqto "wpf gt" y j ku"ugevkqp"r cvej kpi "cpf "tgr cktkpi "qh'hkt guvqr r lpi "ecwugf "d {"ewwki "qt"
r gpgtcvkpi "qh'gzkukpi "hkt guvqr "u{vgo u'crtgcf {"kpucmvgf "d {"qj gt"vctf gu0

P0 Cflwukpi "cpf 'Engcpkpi

- 30 Tgo qxg"gs wkr o gpv."o cvgtkcnu"cpf "f gdtku."rgcxkpi "ctgc"kp"wpf co ci gf ."ergcp"eqpf kkp0
- 40 Ergcp"cmi'uwthcegu"cf lcegpv"vq"ugcrgf "j qrgu"cpf "lqkpw"vq"dg"htgg"qh'gzegu" hkt guvqr "o cvgtkcnu"
cpf "uqkpi "cu"y qtnir tqi tguugu0

50 CEEGUKKKNV[<

- C0 Nqecvg"cmi'gs wkr o gpv'y j lej "o wuv'dg"ugt xlegf ."qr gtcvgf "qt"o clpvckpgf "kp"hwv {"ceeguukdrg"r qukkkpu0"
Gs wkr o gpv'uj cm'kpenw g'dw'pqv'dg"rko ksgf "vq"o qvqtu."eqpvtqmgtu."uy kej i get."f tclp"r qkpw."gve0"K"

tgs wktgf "hqt" dgwgt "ceeguuklrlk\." hmtpkuj "ceeguu" f qqtu "hqt" y ku" r wtr qug0" Ceeguu" f qqtu" uj cmi' dg"
ugrgevgt "d{ "y g" Ctej kgevl Gpi kpggt "vq" ur gekhe "ctgc" hkpkuj gu0" O kpat "f gxkcvkqpu" hqo "f tcy kpi u" o c { "
dg" o cf g" vq" cmqy "hqt" dgwgt "ceeguuklrlk\." qpn "kh" cr r tqxgf "d{ "y g" Gpi kpggt0" Rtqxf g" hkg" tcvgt "
ceeguu" f qqtu" kp" tcvgt "y cmu. "ceeguu" f qqtu" uj cmi' dg" r tqxf gf "kp" O kpat "qt" gs wcr0

D0 Kp" yj g" gxgpv' yj cv' cp { "gs wkr o gpv' ku" pqv' kpuvcngf "vq" r gto k' eqpxgpkgpv' ugtxleki . "f kcuugo drg."
tgo qxcn'qh' r ctva. "gve0' yj g" Eqpvtcevgt "uj cm" cv' j ku" qy p" gZR gpug. "o cng" cm' eqtt gevqpu" pgeguoct { "vq"
cee qo r rkuj "yj ku0

5Q VCI U' EJ CTVUCPF 'P CO GRNCVGU<

C0 Gcej "r kgeg" qh' cr r ctvcwu' kpuvcngf "wvf gt" yj gug' ugevkqpu" uj cmi' dg" r tqr gtn{ "kf gpvkhgf 0

D0 Cmi' gs wkr o gpv' uj cmi' dg" r tqxf gf "y kj "c" uwkcdrg' rco kpcvgt "r ruwke" pco gr rvg' hcuvgpgf "y kj "uetgy u"
qt' tkxgu0" Uo cmi' gs wkr o gpv' rcdgnu" o c { "wug" c' r tguuwg' ugpuklxg' vcr g0

E0 Cmi' pco gr rvgu" cpf " rcdgnu" uj cmi' kf gpvkh{ " eqo r qpgpw" d { " r tqr gt" pqo gperwvg" cpf " pwo dgtgf "
cee qtf kpi "vq" gs wkr o gpv' uej gf wrg' qt" cu' f guki pcvgt 0

5B2 KPUVTWEVQPU<

C0 Rtgr ctg" y tkvxp" kputwevkqpu" hco gu" hqt" yj g" r tqr gt" o clpvgpceg" cpf " qr gtcvkqp" qh' cp { " ur gekcn'
gs wkr o gpv' hmtpkuj gf "cpf" kpuvcngf "wvf gt" yj ku' Eqpvtcev0

D0 Rgtuqpcmf { "kputwev' yj g" Qy pgt) u" Ewuxqf kcp" qt" qh' hekcn' tgr tguvgv' xg" kp" cf f kkp" vq" hmtpkuj kpi " cmi'
o cpwcu. " f kci tco u. " gve0' kp" yj g" r tqr gt" qr gtcvkqp" cpf " o clpvgpceg" qh' cmi' gs wkr o gpv' cpf " r k kpi "
kpuvcngf "wvf gt" yj ku' Eqpvtcev0

E0 Rtgr ctg" c" r qt' hqrq" y kj " cmi' vci u. " qr gtcvkpi " o cpwcu. " r ctva' rkuu. " i wctcpvggu. " gve0' yj cv' ctg" r cengf "
y kj " cmi' gs wkr o gpv' hmtpkuj gf "wvf gt" yj ku' Eqpvtcev' cpf " uwo k' uco g' vq' yj g' Ctej kgevl

5B3 ENGCP KPI 'RKRKPI .EQPF WKUUCPF 'GS WRO GPV<

C0 Vj qtqwi j n' "engcp" cmi' r k kpi " cpf " gs wkr o gpv' qh' cmi' hqtgki p" uwdvcpegu" kpukf g" cpf " qw" dghqtg" dglpi "
r rnegf "kp" qr gtcvkqp0

D0 Kk' cp { " r ctv' qh' c" u { ugo "uj qwf "dg" uqr r gf "d { " cp { " hqtgki p" o cwtg " chgt " dglpi " r rnegf "kp" qr gtcvkqp. " yj g"
u { ugo "uj cmi' dg" f kaeqppgevgf . " engcpgf " cpf " tgeqppgevgf " y j gtgxt " pgeguoct { " vq " rnegf " cpf " tgo qxg "
qduwwevkqpu0" Cp { " y qtm' f co ci gf " kp " yj g " eqwtug " qh " tgo qxkpi " qduwwevkqpu " uj cmi' dg " tgr cltgf " qt "
tgr rnegf " y j gp " yj g " u { ugo " ku' tgeqppgevgf " cv' pq " cf f kkpqcn' lequ' vq' yj g " Qy pgt0

E0 F wtkpi " yj g " eqwtug " qh " eqpwtwevkqp. " cmi' r k g " cpf " grgextlecn' eqpf wksu' uj cmi' dg " ecr r gf " kp " cp " cr r tqxgf "
o cppgt " vq " kpuw' g " cf gs wcvg' r tqgevkqp " ci clpu' yj g " gpvtcepg " qh " hqtgki p " o cwtg0

5B4 ENGCP KPI 'WR<

C0 Chgt " eqo r rvgkqp " qh " yj g " y qtm " tgo qxg " cm " y cuvg. " twddkuj " cpf " qj gt " o cvgtkcu " rgh " cu " c " tguwn " qh "
qr gtcvkqpu" cpf " rnegf " yj g " r tgo kugu' kp " engcp " eqpf kkp0

D0 Cni'hzwtgu."gs wkr o gpv.'gve0'kpucmgf "vpf gt 'y j' g'O gej cplecni'cpf 'Ggextkecni'Ugevkpu'uj cni'dg'htgg'qh' f kv.'i tgcug'cpf 'qy gt'htgki p'o cvgtkni'cpf 'hgm'kp'r gthgevi' 'engcp'eqpf k'kqp'cpf 'tgecf { 'v'wug0

5085 I WCTCP VGG<

C0 Cni'r ctw'q'v' y g'y qtni'cpf 'cni'gs wkr o gpv'uj cni'dg'i wctcpvgg' 'hqt'c'r gtlkf "qh'cv'rgcv'3: "o qpy u'htqo " y j' g'f cvg'q'h'ceegr v'peg'q'h'v' g'lq'd' 'y j' g'Qy pgt0

D0 K'i f wtkpi " y cv' r gtlkf " qh" i gpgtci' i wctcpvgg." cp{ " r ctv' qh" y j' g" y qtni' kpucmgf " hcku." dgeqo gu' wpu'c'v'k'cevt { "qt'f qgu'p'q'v'h'p'ek'p'r' tqr gtn { 'f wg'v'q'cp { "h'wm'lp'o cvgtkni'qt'y qtno cpuj k' .y j' gj' gt" qt'pqv'o cpw'cewtgf "qt'lqd'd'w'k'x' gcej 'ugevkp'uj cni'w' q'p'p'q'v'eg'htqo "y j' g'Qy pgt."r tqo r v'k' "r tqeggf " v'k'tgr'clt'qt'tgr'ceg'u'wej "h'wm' "o cvgtkni'qt'y qtno cpuj k' "y kj' qw'g'zr'gpug'v'q' "y j' g'Qy pgt."k'p'nm'f'kpi " ew'k'pi ."r'c'v'ej'kpi' 'cpf' 'r'cl'p'v'kpi' 'qt'cp { 'qy' gt' y' qtni'k'p'x'q'k'g'f' 'cpf' 'k'p'nm'f'kpi' 'tgr'clt'qt't'g'v'q't'c'v'k'p'q'h'c'p { 'f' co' ci' g'f' 'ugevkpu'q'h'v' g'r' tgo' k'ug'v'g'u'w'k'pi' 'htqo' 'u'we'j' 'h'c'w'u'0

E0 K'p' y j' g'gxgpv'v'j' cv'c' tgr' g'v'k'p' q'h'cp { "q'p'g'f' ghge'v'q'ee'wtu' k'p'f' k'ec'v'k'pi' 'y j' g' r' t'q'c'c'c'k'k'k' { "q'h'ht'v' j' g't' h'c'k'w't'g' " c'p'f' "y j' k'ej' "ecp'dg't'cegf "v'q' "h'c'w'u' { "f' g'uk'i' p."o cvgtkni'qt'y qtno cpuj k' ."y j' gp' tgr'clt'qt' "tgr' c'ego' gpv' u'j' cni'p'q'v'eq'p'v'k'w'g' "v'q' "dg" "o' c'f' g'd'w' "v'j' g' "h'c'w'u' / u'j' cni' d'g' "tgo' g'f' k'g'f' "d { "c" "eqo' r' r'gv'g' t'gr' c'ego' gpv' q'h' v'j' g' gp'v'k'g'f' ghge'v'k'g'v'p'k'0

F0 K'p'cf'f' k'k'qp'v'q'v' y j' g'i' gpgtci' wctcpvgg."q'v'cl'p'c'p'f' 't'c'p'u'0' k'v'q' "y j' g'Qy pgt'cp { 'i' wctcpvgg' "qt'y' c'tt'c'p'k'g'u' htqo "o' c'p'w'c'ew't'g'u'q'h' 'ur' g'e'l'c'k'g'u' "d'w'q'p'ni' "cu'c' "u'w' r' r'go' gpv'v'q' "y j' g' i' gpgtci' wctcpvgg' y j' k'ej' "y' k'ni'p'q'v' dg' l'p'x'c'k'f' c'v'g'f' "d { 'u'co' g'0

5086 QY PGTU'R UVTWEVQPU'CP F 'U UVGO 'QRGTCVQK P <

C0 C'v'v'j' g'v'k'o' g'q'h'v'j' g'lq'd'u' ceegr v'peg' "d { "y j' g'Qy pgt."Eq'p't'ce'v'q't' u'j' cni' h'm't'p'k'ij' "q'p'g' "eqo' r' r'gv'g' "u'g'v'q'h' t'gr' t'q'f' w'e'l'd'r'g' "c'r' r' t'q'x'g'f' . "eg't'v'k'g'f' "f' t'c'y' k'pi' u'v'q' "y j' g'Qy pgt0" K'p'cf'f' k'k'qp' ."Eq'p't'ce'v'q't' u'j' cni' h'm't'p'k'ij' " o' c'k'p'v'g'p'c'p'eg' "c'p'f' "q'r' g't'c'v'k'pi' 'k'p'u't'w'e'k'p'u' h'q't' c'ni'gs' wkr' o' gpv'k'p'nm'f' k'pi' 'r' c't'v'u' h'k'u'0 V'j' g'u'g' "k'p'u't'w'e'k'p'u' u'j' cni' d'g' "y' t'k'w'g'p' "k'p' "r' { "o' c'p' u' "r'c'p'i' w'c'i' g' "c'p'f' "u'j' cni' d'g' "k'p'u'g'v'f' "k'p' "x'k'p' { "n' "eq'x'g'g'f' " v'j' t'g'g' / t'k'pi' "m'q'u'g' "r'g'c'h' "d'l'p'f' g't'0" V'j' k'u' l'p'h'q't'o' c'v'k'p' "k'p' "d'l'p'f' g't' u'j' cni' d'g' "h'k'u'v' "u'g'p'v'v'q' "y j' g'c'r' r' t'q'x'g'f' "d { "y j' g' C't'ej' k'g'ev'i' G'p'i' k'p'g'g't' "d'g' h'q't'g' "w't'p'k'pi' "q'x'g't' "v'q' "y j' g'Qy pgt0

D0 W'r' q'p' "eqo' r' r'gv'g'p'q'h'c'm'y' q'tni'c'p'f' "q'h'c'm'v'g'u'u' "g'c'ej' "F' k'k'k'p' "u'j' cni' h'm't'p'k'ij' "y j' g' "p'g'eg'u'c't { "u'ni'k'g'f' "r'c'd'q't' "c'p'f' "j' g'r' g't'u' "h'q't' "q'r' g't'c'v'k'pi' "y j' g' "u' { "u'g'o' "c'p'f' "g's' wkr' o' gpv' h'q't' "c' "r' gtlkf' "q'h'q'p'g' *3+ 'f' c { "q'h'g'k'i' j' v' *: " +j' q'w't'u' "qt' "cu' "q'y' g't'y' k'ug' "ur' g'el'k'g'f' 0" F' wtkpi' "y j' k'u' r' gtlkf' ."k'p'u't'w'e'v'v'j' g' "Qy pgt"qt' "j' k'u' t'gr' t'g'ug'p'v'v'k'g' "h'm'k' "k'p' "q'r' g't'c'v'k'p' ."c'f' l'w'u'o' gpv'c'p'f' "o' c'k'p'v'g'p'c'p'eg' "q'h'c'm'v'g's' wkr' o' gpv' h'm't'p'k'ij' g't' 0" I' k'x'g'c'v'rg'c'v'u' "h'q't'v' / g'k'i' j' v' *6: " +j' q'w't'u' "p'q'v'k'g' "v'q' "y j' g'Qy pgt' "k'p' "c'f' x'c'p'eg' "q'h'v'j' k'u' r' gtlkf' 0

5087 QY PGTU'CEEGRVCP EG'VGUV<

C0 Ch'gt' "v'j' g' "x'ct'k'q'u' "u' { "u'g'o' u' "c't'g' " "eqo' r' r'gv'g' "cu' "f' g'v't'o' k'p'g'f' "d { " "r' t'g'r'k'o' k'p'c't { " "q'r' g't'c'v'k'pi' "v'g'u'u' "v'j' g' "Eq'p't'ce'v'q't' u'j' cni' c'tt'c'p'i' g'h'q't' "y j' g'Qy pgt' u' h'k'p'c'ni'ceegr v'peg' "v'g'u'u' 0

D0 V'j' g' "Eq'p't'ce'v'q't' " u'j' cni' "j' c'x'g' "r' t'g'ug'p'v' "cv' "g'c'ej' " "ceegr v'peg' "v'g'u' "t'gr' t'g'ug'p'v'v'k'g'u' "q'h' "v'j' g' "u'g'x'g't'c'ni' Eq'p't'ce'v'q'tu' "y j' q'ug' "y' q'tni' k'u' "f' k'g'e'v'k' "qt' "k'p'f' k'g'e'v'k' "k'p'x'q'k'g'f' ."y' k'j' "k'p'u't'w'o' g'p'u' "cu' "p'g'eg'u'c't { "k'p' "c'ee'q't'f' c'p'eg' "y' k'j' "y j' g'f' g'uk'i' p' "c'p'f' "v'q' "k'p'nm'f' "g'v'j' g' "h'q'n'y' k'pi' 0

30 Cni'gs' wkr' o' gpv' kpucmgf "cpf" q'r g'tc'v'k'pi' "k'p' "c'ee'q't'f' c'p'eg' "y' k'j' "o' c'p'w'c'ew't'g't' u' "k'p'u't'w'e'k'p'u' c'p'f' " r' g't'h'q't'o' c'p'eg' "i' wctcpvgg'0

40 Cml'uguo u'qr gtcv'kpi 'k'ceeqtfcpeg'y kj 'ur gekh'ecv'kpu0
50 Cml'kut'kdw'kqp'u'uguo u'r tqr gtn' 'cf l'wugf 'hqt'f kut'kdw'kqp'v'gs wkr o gpv'cu'ur gekh'gf 0
60 Cml'bcu'dw'kb'f tcy kpi u.'xcxg'ej ctu.'gve0'cu'ur gekh'gf 'k'xct'kqu'r ctu'qh'y'g'ur gekh'ecv'kpu"
kpuvcngf "qt'tgcf { 'hqt'f gr'xgt { 'v'y'g'Qy pgt0

E0 Vj g'f cvg'qh'y'g'Qy pgt'l'ceegr v'peg"qh'y'g'gs wkr o gpv'uj cml'dg'y'g'uctv'qh'y'g'3: "o qpy u'i wctcpvgg"
r g'kqf 0

508 VGUV<

C0 Eqpf w'kpi "Vguu<Eqpf w'v'cm'v'guu'ecngf "hqt'w'pf gt'y'g'xct'kqu'ugev'kpu'qt'cu'tgs w'k'gf "cpf "tgr'ck"
qt'tgr'neg"cp{ 'f gh'geu0"Rgthqto "cm'v'guu'k'y'g'r t'gugpeg"qh'cpf "v'y'g'uc'v'k'ecv'kqp'qh'y'g'Gpi k'p'ggt"
cpf "uwej "qy'gt'r ct'v'ku'cu'o c { 'j cxg'igi cml'v'k'uf'k'v'k'p0

D0 F gh'ge'v'xg"Y qtm' Vj g'Qy pgt"uj cm'j cxg'y'g'r tk'k'gi g'qh'u'qr r kpi "cp{ "qh'y'g'y qtm'p'qv' d'g'kpi "
r tqr gtn' "kpuvcngf 0" Cml'uwej "f gh'ge'v'xg"y qtm'uj cm'dg'tgr'ck'gf "qt'tgr'negf "cpf "y'g'v'guu'uj cm'dg"
tgr'gc'v'gf 0

E0 Tgr'ck'F co ci gf "Y qtm'Tgr'ck'cm'f co ci gu't'guu'kpi 'htqo "v'guu'cpf'tgr'neg'f co ci gf "o cv'g'k'cu0

GP F "QH'UGEVIQP "42"22"72

VQY P'QHI NCUVQPDWT[" " "DIF % N/423:/3: "
CKT'EQPF K/QP KPI 'R'UVCNNCVQOP'CV'HQWT'GNGO GPVCT['UEJ QQNU'
I NCUVQPDWT[.E'QPPGEVRE W"

UGEVIQP "45"27"6: "/XIDTCVIQP 'CPF 'UGKLO KE'EQP VTQNU'HQT"J XCE'RIRI I (" 'GS WRO GP V"

RCTV"3"/"I GP GTCN"

308" TGNCVGF 'F QEWO GP VU<

" C0' Vj g'I gpgtcn'Rtqxkukqpu'qh'y'g"Eqptcev."kpenwf kpi "I gpgtcn'cpf "Uwr r rgo gpvct { "Eqpf kqpu"cpf "
F kxkukq"3.'I gpgtcn'Tgs wkt go gpw.'cr r n' "v'j'g'y qtn'ur gekk'gf 'k'j'ku'Ugevkqp0'

" D0' Vj g'I gpgtcn'Tgs wkt go gpw'k'Ugevkqp"422272'uj cm'cuq'i qxgtp'y'g'y qtn'wfp gt 'y'ku'Ugevkqp0'

304" UGEVIQP "R'ENWF GU<

" C0' Xldtcvkqp"kuqr'vkqp"cpf "ugkuo le'tgutc'kpv"ht"cm'o gej cplecn'cpf "grgevt'ecni'u{ ugo "kpenwf kpi "
gs wkr o gpv.'r k'kpi . 'eqpf wkr'cpf "f wey qtn'y kj k'j'g'dwkr kpi 0'

" D0' Vj g'y qtn'qh'y'ku'ugevkqp'kpenwf gu'dw'ku'p'q'v'ko k'gf 'v'j'g'htmqy kpi <

" " 30' Xldtcvkqp'kuqr'vkqp"grgo gpw0'

" " 40' Gs wkr o gpv'kuqr'vkqp'dcugu0'

" " 50' Rkr kpi 'htz'k'ng'eqppgevkqpu0'

" " 60' Uguo le'tgutc'kpv'ht'kuqr'v'gf'cpf 'p'q'p'kuqr'v'gf 'o gej cplecn'cpf "grgevt'ecni'kgo u0'

305" TGHGTGP EGU<

" C0' Ucv'g'qh'E'qppgevw'w'Dwkr kpi 'Eqf g0'

" D0' UO CEP C"/"Uguo le'Tgutc'kpv'O cpwcn'I wkr gnr'p'gu'ht'O gej cplecn'U{ ugo u0'

" E0' O cuq'p'k'f wut'k'u. 'k'p'e0'Uguo le'Tgutc'kpv'I wkr gnr'p'gu"

306" S WCNHKECVIQP U<

" C0' S wcn'kecv'kqpu<"Qpn' "ht'o u'j'cx'kpi "ht'xg" { gct'u'g'zr'gt'k'peg" f guki p'kpi "cpf "o cpw'k'ewt'kpi "ugkuo le"
f g'x'k'egu'uj cm'dg'ecr'cdng'qh'y qtn'k'p'y'ku'ur gek'kecv'kqp0'

307" UWDO K'VCNU<

" C0' Uwdo k'w'p'f gt 'r' tqx'kukqpu'qh'Ugevkqp"4222720'

" D0' Vj g'u'wdo k'wcn'o cvgt'kcn'uj cm'k'penwf g"eqr'k'gu'qh'f guet'kr'v'kx'g'f'cv'c'ht"cm'r' tqf weu'cpf "o cvgt'kcn'
k'penwf kpi "dw'p'q'v'ko k'gf 'v'j'g'htmqy kpi <

" " 30' F guet'kr'v'kx'g'f'cv'c<

" " " c0' Ecvc'ni 'ewu'cpf 'f'cv'c'uj g'gu0'

" " " d0' Cp'kgo k'gf "ht'u'uj qy kpi "j'g'kgo u'v'q'dg'kuqr'v'gf "cpf k't'ugkuo k'ecm' 't'gutc'k'p'gf ."
r tqf wev'v'g'g'qt'o qf gnr'p'wo dgt'v'q'dg'w'ugf "cpf 'ht'cf kpi "cpf 'f'g'ht'gevkqp'f'cv'c0'

" " " e0' Uguo le'tgutc'k'p'v'ecr'ew'cv'kqpu0'

XIDTCVIQP 'CPF 'UGKLO KE'EQP VTQNU'HQT"J XCE'RIRI I 'CPF 'GS WRO GP V" 45"27"6: "/"3"

" " " f0' *Utwewtcn'qt"ekxk'gpi kpggtai"Uvcg"qh'Eqppgevw'r tqhguakpccn'gpi kpggtai"ugcn'
xgtkh'kpi 'f guki p'cpf 'ecrewrwvqpu'hqt'ugkuo le'tgwtckpki 'u{ ugo 'wugf 0"

" " 40' Uj qr 'F tcy kpi u<"

" " " c0' F tcy kpi u"uj qy kpi "gs wkr o gpv' dcug" eqputwewkqp" hqt" gcej " o cej kpg." kpenmf kpi "
f ko gpukqpu." utwewtcn'o go dgt "uk' gu." cpf " uwr r qt v' r qkv' hqecvqpu0"

" " " d0' F tcy kpi u"uj qy kpi " o gj qf u" qh' uwr gpukqp." uwr r qt v' i wkr gu" hqt " eqpf wkw." r kr kpi "
cpf " f wey qtn0"

" " " e0' F tcy kpi u"uj qy kpi " o gj qf u" hqt" kuqrwvq" qh" eqpf wku." r kr gu" cpf " f wey qtni'
r gpgtvcvpi 'y cmu'cpf 'hqq' urdu0"

" " " f0' Eqpetvg'cpf 'uvggrf' gvcku'hqt' dcugu' kpenmf kpi 'cpej qt' dqm' hqecvqpu0"

" " " g0' P wo dgt' hqecvq" qh' ukuo le'tgwtckpw' cpf 'cpej qtu' hqt' gcej 'r kgeg' qh' gs wkr o gpv0"

" " " h0' Ur gekk' f gvcku' qh' t' gwtckpw' kpenmf kpi "cpej qt' dqm' hqt' o qwpvki " cpf " o czko wo "
mqcf kpi " cv' gcej " hqecvq." hqt " gcej " r kgeg' qh' gs wkr o gpv' cpf lqt " r kr g" cpf " f wev'
hqecvqpu0"

38" I GP GTCN' *O CP WHCEVWTGT +TGURQP UDKNK/KGU<"

" C0' Eqptcevqt' uj cmj' cxg' yj g' hmqy kpi 't gur qpukdkkku<"

" " 30' F gyto kpg' xkdtcvq" kuqrwvq" cpf 'ugkuo le'tgwtckpv' uk' gu' cpf ' hqecvqpu' r gt' ur gekk' ecvqpu0"

" " 40' Rtqxf g' cpf ' kpuvcml' kuqrwvq" u{ ugo u' cpf 'ugkuo le'tgwtckpw' cu' uej gf wrg' qt' ur gekk' gf 0"

" " 50' I wctcpvg' ur gekk' gf ' kuqrwvq" u{ ugo ' f ghrgevqpu0"

" " 60' Rtqxf g' kpuvcml' kuqrwvq" kpuvewvqpu." f tcy kpi u' cpf " hgrf " uwr gtxkukqp" vq" cuwtg" r tqr gt"
kpuvcml' kuqrwvq" cpf ' r gthqt o cpej0"

" " 70' Uwdurkwvq" qh' o' kvgt pcm' " Kuqrwvq" o' o' gej cplecn' gs wkr o gpv' kp" rkw' qh' yj g" ur gekk' gf "
kuqrwvq" qh' yj ku' ugevq" o c{ " dg" ceegr wdrn' r tqxf gf " yj cv' cm' ur gekk' gf " f ghrgevqpu" cpf "
uwo r gf 'ugkuo le'ecrewrwvqpu' ct' g' uwr r rkgf " d{ " yj g' gs wkr o gpv' o cpwhcewtgt0"

39" RTQLGEV'TGEQTF 'F QEWO GP VU<"

" C0' Uwo k' wpf gt' r tqxkukqpu' qh' Ugevq" 4222720"

" D0' Tgeqtf " cewcn' hqecvqpu" cpf " kpuvcml' kuqrwvq" qh' xkdtcvq" kuqrwvq" u' cpf " ugkuo le'tgwtckpw' kpenmf kpi "
cwcej o gpv' r qkv0"

RCTV'4/"RTQF WEVU"

40" O CP WHCEVWTGTU<"

" C0' O cuqp' k' wut' ku' kpe0' o qf gnu' rku' gf " dmqy 0"

" D0' Qj gt' cr r tqxgf " o cpwhcewtgtu' r tqxf kpi " gs wxcrgpv' r tqf wev' kpenmf g<"

" " 30' Xkdtcvq" Gko kpcvt' Eq0"

" " 40' Co dgt' Dqqj 'Eq0"

40" UGKUO KE 'TGUVTCR V'V[RGU<"

"
"

" C0' I gpgtcn<Kpuvcnkvqpu'uj cm'dg'f guki pgf "v"uchgn("ceegr v'gzvgtpcn'hqtegu"qh'qpg/j cih"oi o"mqcf "kp" cp{ "f kgevqap"hq"cm'tki kf n("uwr r qtvgf "gs wkr o gpv'y kj qw'hcnwtg"cpf "r gto cpgpv'f kur nrego gpv' qh'y g"gs wkr o gpv0"Nkkg'uchgv("gs wkr o gpv'uwej "cu"ktg'r wo r u."ur tkpmgt "r k kpi "cpf "go gti gpe{ " i gpgtcvqtu+"uj cm'dg"ecr cdng"qh'uchgn("ceegr v'kpi "gzvgtpcn'hqtegu"wr "v"qpg"oi o"mqcf "kp"cp{ " f kgevqap'y kj qw'r gto cpgpv'f kur nrego gpv'qh'y g'uwr r qtvgf "gs wkr o gpv0"Ugkuo ke'tgutckpvu'uj cm' pqv'uj qt'vekewk'xkdtcvqap'kuqrckvqap'u{ ugo u'qt"t'cpuo k'qdlgevqapcdng'xkdtcvqap'qt'pqkug0"

" D0' V{r g"K*ur tkpi "o qwpv+<Uj cm'eqo r n("y kj "i gpgtcn'ej ctcevgtkukou"qh'ur tkpi "kuqrckvqtu"j cxkpi "c" o kpo wo "qf 0'v"qj 0'qh'0 "v"3"cpf "o kpo wo "twpqw"qh'72' "v"uqrk 0'"Uj cm'kpeqr qtcvg" upwddkpi "tgutckpv'kp"cm'f kgevqapu0" Uj cm'dg"ecr cdng"qh' uwr r qt'vki "gs wkr o gpv'cv'c"hzgf " grxcvqap'f wtkpi "gs wkr o gpv'gtgevqap0"Ecu'j qwukpi u'uj cm'dg'f wevkg'ktqp'qt'cno kpo 0"U{ ugo " v"dg'hkgrf "dqngf "qt'y grf gf "v"f genly kj "KI "ceegrvtcvqap"ecr cdng{ 0"O cuqp"V{r g"UUNHI "qt'cu" cr r tqxgf 0"

" E0' V{r g"K*upwddgt+<Gcej "eqtpgt"qh'ukf g'uj cm'kpeqr qtcvg"c"ugkuo ke'tgutckpv'j cxkpi "c"o kpo wo " 71: o"vj lenit'gukdgpv'r cf "ko k'uvqr u'y qtnkpi "kp"cm'f kgevqapu0"tgutckpvu'uj cm'dg'o cf g"qh'r nvg." utwewtci'no go dgtu."qt"us wctg"o gcn'wdkpi "eqpegvtle"y kj kp"c"y grf gf "cuugo dn("kpeqr qtcvgf " t'gukdgpv'r cf u0"Cpi ng"dwo r gtu'ctg"pqv'ceegr vcdng0"U{ ugo "v"dg'hkgrf "dqngf "qt'y grf gf "v"c" f genly kj "3I "ceegrvtcvqap"ecr cdng{ 0"O cuqp"V{r g"/3233"cpf"/34470"

" F0' V{r g"K*ecdn'dtcegu+<O gcn'ecdn'v{r g'y kj "cr r tqxgf "gpf "hcvgkpi "f gxkegu"v"gs wkr o gpv'cpf " utwewt0"

" " U{ ugo "v"dg'hkgrf "dqngf "v"f genly"qxgtj gcf "utwewtci'no go dgtu'wukpi "y q"ukf gf "dgco "emo r u" v"uygn'qt"cr r tqr tkvgn("f guki pgf "kpuv'v'hq"eqpetvg0"Cm'r ctu"qh'u{ ugo "kpenf kpi "ecdngr." emo r u."gzemf kpi "hcvgkpi u'ctg"v"dg"ukpi ng"xgpf qt"hwtpkuj gf "v"cuuwg"ugkuo ke"eqo r rkcpeg0" O cuqp"V{r g"UED0"

" G0' V{r g"K*pgqr tpgg"o qwpv+<F qwdng'f ghngvqap'pgqr tpgg'kuqrckvqt'gpecugf "kp'f wevkg'ktqp'qt'uygn' eculpi "o kpo wo "d2"ucvle"f ghngvqap0"U{ ugo "v"dg'hkgrf "dqngf "qt'y grf gf "v"f genly kj "3I " ceegrvtcvqap"ecr cek{ 0"O cuqp"V{r g"DT."TDC0"

" H0' V{r g"X<P qp/kuqrckvqap'gs wkr o gpv'v"dg'hkgrf "dqngf "qt'y grf gf "r qy f gt"uj qu'pqv'ceegr vcdng+"v" t'gukv'ugkuo ke'hqtegu'wprguu'w'pf gt"322"nd0Uj gct'hqtegt'gs wktgf 0O cuqp"V{r g"UCU."UCD0"

405" XHDTCVIQP 'KUQNCVIQP "o'I GP GTCN<

" C0' Xkdtcvqap" Kuqrckvqap"uj cm'eqvtqn' gzeuukg"pqkug"cpf "xkdtcvqap"kp"vj g"dwkrf kpi "f wg"v"vj g" qr gtcvqap"qh'o cej kpgt{ "qt"gs wkr o gpv."cpf lqt"fwg"v"kvgt'eqppgevgf "r k kpi ."f wey qtm"qt" eqpf vks0"*Vj g"kpucnkvqap"qh'cm'xkdtcvqap"kuqrckvqap"wpku."cpf "cuqekcvgf "j cpi gtu"cpf "dcugu." uj cm'dg'w'pf gt"vj g'f kgev'uw'gt'xkukap'qh'y g'xkdtcvqap'kuqrckvqap'o cpwhcewtgt'at'gr t'gugpv'v'xg0"

" D0' Cm'xkdtcvqap'kuqrckvqtu'uj cm'j cxg'gkj gt'npqy p'pqp/f ghngvqap'j gli j w'qt'ecrkdtecvqap'o ctnkpi u'vq" vj cv'chngt'cf lwuo gpv'y j gp'ectt{ kpi "vj gk'mqcf ."vj g'f ghngvqap"ecp'dg'xgthkgrf 0"

" E0' Cm'kuqrckvqtu'uj cm'qr gtcvg"kp"vj g"rkpgct"r qt'vqap"qh'y gk"mqcf "xgtuwu'f ghngvqap"ewt'xg0"Nqcf " xgtuwu'f ghngvqap"ewt'xgu'uj cm'dg'hwtpkuj gf "d{"vj g"o cpwhcewtgt"cpf "o wuv'dg"rkpgct"qxgt"c" f ghngvqap'tcpi g'qh'pqv'rguu'vj cp'72' "cdq'x'vj g'f guki p'f ghngvqap0"

"
"

" F0' Vj g'vj gqtgvecn'xgtvecn'pcwtcn'htgs wgepe { "hqt" gcej "uwr r qt v' r qkp v." dcugu'wr qp" mcf "r gt "kuqrvt" cpf "kuqrvt" u'w'hp guu. "uj cml'pqv'f hht "ht qo "vj g'f guki p" qdlgevkxgu" hqt "vj g'gs wkr o gpv'cu" c"y j qrg" d{ "o qtg'vj cp" - 1"32' 0

" G0' Cml'pgqr tpgg'o qwpvki u'uj cml'j cxg" c"Uj qtg" j ctf pguu" qh'52" vq'82" - 1"7. "chgt" o kpo wo "ci kpi "qh" 42" f c { "u'qt "eqttgur qpf kpi "qxgp" ci kpi 0

406" XHDTCVKQP "KQNCVQT" V[RGU<

" C0' V{r g' C<Ur tkpi 'kuqrvtu<

" " 30' O kpo wo "f lco gvg" qh'20 "qh'vj g' mcf gf "qr gtcvki "j gki j v0'

" " 40' Eqttqukqp' t'gukwpeg" y j g'g'zr qugf "vq" eqttqukxg" gpv'kqpo gpv'y kj <

" " " c0' Ur tkpi u'ecf o kwo "r r'v'gf "qt" grgvtq/i cixcpk gf 0'

" " " d0' J ctf y ctg'ecf o kwo "r r'v'gf 0'

" " " e0' Cml'vj gt' o g'cn' ctw'j qvf kr "i cixcpk gf 0'

" " 50' Tgugtxg'f ghgevkp" h'qo "mcf gf "vq" uqrf "j gki j v" qh'72' "qh'tcv'gf "f ghgevkp0'

" " 60' O kpo wo " ö" vj ken' pgqr tpgg" ceqwuvecn' dcug" r cf " qp" wpf gtukf g. " wprguu" f guki pcv'gf " qvj gty kug0'

" " 70' F guki pgf "cpf "kpuvcmgf "uq" vj cv' gpf u" qh'ur tkpi u'tgo clp" r ctcngn' cpf "cml'ur tkpi u'kpuvcmgf " y kj "cf lwuo gpv'dqnu0'

" " 80' P qp/tguqpcpv" y kj " gs wkr o gpv' hqtelki " htgs wgepeku" qt" uwr r qt v" utwewtg" pcwtcn' htgs wgepeku0'

" " 90' O cuqp" V{r g' UNH0'

" " : 0' Y j gp" wugf "kp" eqplwpevkp" y kj " u'guo ke" dtcelki . " u'guo ke" t'gvtckpv' V{r g' KKK' u'j cml' dg" kpuvcmgf 0'

" D0' V{r g' D<Ur tkpi 'kuqrvtu'uj cml'dg' uco g'cu" V{r g' C. "gzegr v<

" " 30' Rtqxf g'dwkn'kp' xgtvecn' hko k'w'qr u'y kj "o kpo wo " ö" ergetcpeg" wpf gt" p'qto cn'qr gtcvki0'

" " 40' Vcr r gf "j q'gu'lp" v'qr "r r'v'g' hqt" dqnkpi "vq" gs wkr o gpv' y j gp' u'w' dlge'v'vq' y kpf "mcf 0'

" " 50' Ecr cdng" qh' uwr r qt v'kpi " gs wkr o gpv' cv' c" h'zgf " grgxcvkp" f wtkpi " gs wkr o gpv' gtgevkp0" kpuvcmgf " cpf "qr gtcvki "j gki j u'uj cml'dg' k'f gpvecn0'

" " 60' Cf lwu'cdng" cpf "tgo qxcdng" ur tkpi "r cen'y kj " ugr ctcv'g' pgqr tpgg' r cf "kuqrvtu0'

" " 70' Ecr cdng" qh' ceegr v'kpi "3" I "qh' ceegr gtcvki0'

" " 80' O cuqp" V{r g' UNT0'

" E0' V{r g' E<Ur tkpi "j cpi gt" tqf "kuqrvtu<

" " 30' Ur tkpi " grgo gpv' ugcvgf " qp" c" u'v'gnr' y cuj gt" y kj k'p" c" pgqr tpgg" ewr " kpeqtr qtcvki " c" tqf " kuqrvtu' d'wuj kpi 0'

" " 40' U'v'gnr' g'v'ckpgt" dqz" gpecukpi "vj g'ur tkpi " cpf "pgqr tpgg" ew0'

" " 50' Y j gp" wugf "kp" eqplwpevkp" y kj " u'guo ke" dtcelki . " u'guo ke" t'gvtckpv' V{r g' KKK' u'j cml' dg" kpuvcmgf 0'

" " 60' O cuqp" V{r g' J U0'

"
"

" F0 V{r g'F<Ugkuo le"tgutckpv."V{r g"KK<"F qwdrg"f ghrgvkap"pgqr tpgg"kuqrvt" gpecugf "kp" f wevkg"
ktq"qt"uvgn'ecukpi "o kpk wo "G2"ucvke"f ghrgvkap0"U{ uvg "vq"dg"tkgrf "dqmgf "qt"y grf gf "vq" f gen'
y kj "3I "ceegrtcvkap"ecr cek{0"O cuqp"V{r g"DT."TDC0'

" G0 V{r g'G<Gruvqo gt"j cpi gt"tqf "kuqrvtu<

- " " 30 O qrf gf "wplv{r g'pgqr tpgg"grgo gpv'y kj "r tqlgvki "dwuj kpi "tklpi "tqf "ergtcpeg"j qrg0
- " " 40 P qqr tpgg"grgo gpv'vq"dg'o kpk wo "3/5 l6ö"vj ken0
- " " 50 Uvgn'tgvckpgt"dqz" gpecukpi "pgqr tpgg"o qwpkpi 0'
- " " 60 Ergtcpeg"dgw ggp"o qwpkpi "j cpi gt"tqf "cpf "pgqr tpgg"dwuj kpi "uj cm'dg"o kpk wo "qh"
31: ö0'
- " " 70 O kpk wo "ucvke"f ghrgvkap"qh'2G7ö0'
- " " 80 Y j gp" wugf "kp" eqplwvkap" y kj "ugkuo le" dtcelpi ."ugkuo le" tgutckpv" V{r g"KK'uj cm' dg"
kpuvngf 0'
- " " 90 O cuqp"V{r g"J F 0'

" H0 V{r g'H'Ego dkpcvkap"ur tkpi lgruvqo gt"j cpi gt"tqf "kuqrvtu<

- " " 30 Ur tkpi " cpf" pgqr tpgg" kuqrvt" grgo gpw" kp" c" uvgn' dqz" tgvckpgt0 " P qqr tpgg" f qwdrg"
f ghrgvkap"V{r g0"Ukpi rg"f ghrgvkap"ku'wpccegr vdr0"Ur tkpi "ugcvf "kp" c"pgqr tpgg"ewr "y kj "
gzvpgf gf "tqf "dwuj kpi 0'
- " " 40 Ej ctcevtkvku"qh'ur tkpi "cpf "pgqr tpgg"cu" f guetkdgf "kp"V{r g"C"cpf "V{r g'G'kuqrvtu0'
- " " 50 Y j gp" wugf "kp" eqplwvkap" y kj "ugkuo le" dtcelpi ."ugkuo le" tgutckpv" V{r g"KK'uj cm' dg"
kpuvngf 0'
- " " 60 O cuqp"V{r g'FPJ U0'

" I 0 V{r g'I <Rcf "v{r g"gruvqo gt"o qwpkpi u<

- " " 30 ö"O kpk wo "j kempgu0'
- " " 40 72"RUko czko wo "iqcf kpi 0'
- " " 50 Y chngf "f guki p0'
- " " 60 F ghrgvkap"r gt"r cf "j kempgu0'
- " " 70 I cixcpk gf "uvgn'r rvq"dgw ggp"o wnr rg"rc {gtu"qt"r cf "j kempgu0'
- " " 80 Uwkcdrg"dgctkpi "r rvq"vq" f kvtkdwg"iqcf 0'
- " " 90 O cuqp"V{r g"Uwr gt"Y 0'

" J 0 V{r g'J <I tqo o gv{r g"gruvqo gt"dwuj kpi u<

- " " 30 Qpg'r kgeg"o qrf gf "dtkf i g"dgctkpi "pgqr tpgg0'
- " " 40 Y kuj gt"tdwuj kpi "uj cm'wttqwpf "j g'cpej qt"dqn0'
- " " 50 Hrv'y kuj gt"hcgv"vq"cxqkf "o gvcn"vq"o gvcn'eqpcev0'
- " " 60 O cuqp"V{r g"J I 0'

" K0 V{r g' M< Rkr g" Cpej qtu< Cmf ktgevkapcn' ceqvwkecn' r kr g" cpej qt" eqpukvki " qh" c" vrgueqr le"
cttcepi go gpv'qh"y q"uk gu"qh"uvgn'wdkpi "ugr ctcvf "d{ "c"o kpk wo "qpg/j crh"lkej "j kempgu"qh"
j gcx{/f w{ "pgqr tpgg" cpf " f veni" qt" pgqr tpgg" kuqrvt"o cvgtken" Xgtvken"tgutckpv"uj cm' dg"
rtqxf gf "d{ "uko krc"o cvgtken'cttcepi gf "vq"r tgvxgpv'xgtvken'vtxgr'lp" gkj gt" f ktgevkap0" Cmry cdrg"
mqf u" qp" j g" kuqrvt"o cvgtken' vtxgr'lp" gkj gt" f ktgevkap0" Cmry cdrg" mqf u" qp" j g" kuqrvt"

CKT'EQPFKQPKPI 'KPUVCNNCVKQP'CV'HQWT'GNGO GPVCT['UEJ QQNU'

I NCUVQPDWT[.EQPPGEVKEW"

"
"

o cvgtkcn'uj cni'pqv'gzeggf "722"r uk'cpf "y g" f guki p"uj cm'dg"dcncpegf "hqt"gs wcn'tgukucpeg"kp"cp{
f k'gevkqp0"kuqncvkqp"vq'dg'dqngf "qt'y grf gf "f gr gpf kpi "qp'utwewtg0"O cuqp"V{r g'CF C0

"

407" GS WRO GP V'DCUGU<

"

" C0' Kpvi tcn'Utwewtcni'Uygn'Dcug."V{r g'D/3<

"

" " 30' Tgkphqtegf "cu'tgs wkt gf "vq'r tngxgpv'dcug"hgzwg'cv'uctv'w "cpf "o kuciki po gpv'qh'f tkxg"cpf "
f tkxgp'wpu0'Egptkwi cni'hp'dcugu'eqo r rvg'y kj "o qvt'unk'g'tcnu0

"

" " 40' F tknu'hqt'f tkxg'cpf "f tkxgp'wpl'v'qwp'kpi "vgo r rvg0

"

" " 50' O wv'dg'wkt gf "y kj "ugkuo le'tgwtckpv"V{r g'K'K'qt"K0

"

" " 60' O cuqp"V{r g'O."Y HD0

"

" D0' Eqpetgvg'Kp'gt'kc'Dcug."V{r g'D/4<

"

" " 30' Xldtcvkqp"kuqncvt"o cpwcewtgt"uj cm'hwtpkuj "tgecpi wnt"utwewtcni'eqpetgvg"hqto u"hqt"
hqcvkpi "hqwpf cvkqp0"Dcugu'hqt"ur rkv'ecug"r wo r u'uj cm'dg'rti g'gpqwi j "vq'r tqxkf g'uw r qt v'
hqt"uwv'kqp"cpf "f kiej cti g'dcug"gm0"Vj g'dcug" f gr vj "uj cm'dg" c"o kpo wo "qh'3 B2"qh'y g"
mipi guv'ur cp" dw'pqv'rguu' y cp"80"qt"i tgcvtg" yj cp"360Hqto u"uj cm'kpenf g"o kpo wo "
eqpetgvg"tgkphqtego gpv'eqpukvpi "qh' o'dctu"qt" cpi rgu"kp"r rneg"kp"80"egpvtu'twppkpi "
y c{u'cpf "c"rc{gt"3" o'cdqxg'yj g'dqvqo "cpf "c"vqr "rc{gt"qh'tgkphqteki "uygn'cu'cdqxg'hqt"
cm'dcugu'gzeggf kpi "3420"kp"qpg" f k'gevkqp0"kuqncvtu"uj cm'dg"ugv'kpvq"r qengv'j qwukpi u"
y j lej "ctg" cp" kvgi tcn'r ctv'qh'yj g"dcug" eqputwv'kqp" cpf "ugv' cv' yj g" r tqr gt" j gki j v' vq"
o ckwkpc" c"30"engctpeg"dgny "yj g"dcug0"Dcugu"uj cm'dg"hwtpkuj gf "y kj "vgo r rvgu"cpf "
cpej qt"dqn'urgxgu'cu'r ctv'qh'yj ku'ul'vgo 0

"

" " 40' O wv'dg'wkt gf "y kj "ugkuo le'tgwtckpv"V{r g'K'K'qt"K0

"

" " 50' O cuqp"V{r g'M'DO M0

"

408" HNGZ KONG'EQP P GEVQTU<

"

" C0' Grcuqo gt"V{r g'HE/3<

"

" " 30' O cpwcewtgf "qh' Mgxrt" tgkphqtego gpv' cpf " GRFO." dqj " o qrf gf " cpf " ewt gf " y kj "
j {f tcwke'r tguugu0

"

" " 40' Utcki j v'eqppgevqtu"vq"j cxg'y q"ur j gtgu'tgkphqtegf "y kj "c"o qrf gf /kp"gzvgtpcn'f wv'krg'kqp"
tkpi "dgw ggp"ur j gtgu0

"

" " 50' Gndqy u'uj cm'dg'kpi "tcf kw'v{r g0

"

" " 60' Tcvgf "472"r uk'cv'392" f gi tggv"HD" F tqr r kpi "kp" c" utcki j v'rkpg"vq"392"r uk'cv'472" f gi tggv" H"
hqt" uk' gu" 3/3 k0" vq" 340" gndqy u0" Gndqy u"uj cm'dg" tcvgf "pq" rguu' yj cp"; 2' "qh' utcki j v'
eqppgev'kqp0

"

" " 70' Uk' gu" 320" vq" 340" vq" go r m{ " eqpvtqn' ecdrgu" y kj " pgqr tggp" gpf " hkwkpi u" kuqncvkqp" hqo "
cpej qt" r rvgu' d{ "o gcpu'qh" o'dtk' i g'dgctkpi "pgqr tggp" dwuj kpi u0

"

" " 80' O kpo wo "uchgv' hcevqt."6-3"cv'o czko wo "r tguuwtg'tcvkpi u0

"

" " 90' U{vgo u'dqngf "vq" xlcw'wke" v{r g" eqwr r kpi u"qt" i cvg."dwwgth{ ."qt" ej gen'xcv'gu"vq" j cxg" c"
o kpo wo "7: o' hrcpi g'ur cegt' kpuvcmgf "dgw ggp" eqpf wv'qt" cpf "eqwr r kpi "qp" hrcpi g0

"

" " : 0' Uwdo kv'cu'vq' kpenf g'v'gu' tgr qt u0

"

" " ; 0' O cuqp"V{r g"Uchghgz"UHF GL0

"

"
"

CKT'EQPFKVKPPI 'KPUVCNNCVKQP'CV'HQWT'GNGO GPVCT['UEJ QQNU'

I NCUVQPDWT[.EQPPGEVKEW"

""

" DO' Hrgzkdng'Uckprguu'J qug.'V{r g'HE/4<

"

" " 30' V{r g'543'ucckprguu'uvgn'dtckf gf 'hrgzkdng'o gvcn'j qug0'

" " 40' 4ö'r kr g'uk' g'cpf 'uo cmgt<'vj tgcg' gf 'ectdqp'uvgn'hkvp' u0'

" " 50' 3" ö'r kr g'uk' g'cpf 'rci gt<'Ercuu'372'ectdqp'uvgn'hrcpi gu0'

" " 60' Uwkcdng'hqt'qr gtcv'pi 'r tguuwt'g'y kj '6-3'o k'pko wo 'uchgv' 'hcevt0'

" " 70' Hrgzkdng'O gvcn'J qug'Ego r cp{ 'V{r g'FHE'cpf 'OHE0'

"

" EO' Wpdtckf gf 'Gzj cwuv'J qug.'V{r g'HE/5<

"

" " 30' Nqy 'r tguuwt'g'ucckprguu'uvgn'cppwctn' 'eqttwi cvgf 0'

" " 40' Hkxgf 'y kj 'hrcpi gf 'gpf u0'

" " 50' O czko wo 'vgo r gtcwt'g'3.722'f gi tgg'u'H0'

" " 60' O cuqp'V{r g'UFN'TH0'

"

"

RCTV'5/'GZGEWVIQP "

"

508" I GP GTCN'UGKIO KE'TGUVTCR'V'TGS WKTGO GP VU<

"

" CO' Kpuvcn'ugkuo le'tgutckp'u'k'ceeqtf cpeg'y kj 'o cpwhcewt'gtu'tgeqo o gpf cvkqu0'

"

" DO' Ugkuo le'tgutckp'pi "u{ ugo "V{r g'KK'K'puvcn'vw'hqt"ppq/kuqrvgf "gs wkr o gpv'cpf "urcn'ly kj " ö' ecdrng'f ghngcv'p'hqt'kuqrvgf "u{ ugo u0'

"

" EO' Ugkuo lecm' 'tgutckp'cm'r kr kpi ."eqpf wk'cpf 'f vey qtn'ly kj "V{r g'KK'qt"V{r g'X'ugkuo le'tgutckp' k'ceeqtf cpeg'y kj "i wk'grkgu"qwk'p'gf "dgrny 0" "Tgutckp'u'y j lej "ctg'vq'dg'wugf "k'p"eqplwpev'k'p" y kj "xkdtcv'k'p'kuqrvtu'uj cm'dg'V{r g'KKO'

"

" " 30' Ectdqp'uvgn'r kr kpi "uj cm'dg'dtcegf "cv'o czko wo "62ø'k'p'vgtxcn'cpf "cv'wtpu'qh'o qtg'y cp" 60"Ncvgtcn'dtceki "cv'o czko wo ": 2ø'k'p'vgtxcn0"P q/j wd'r kr kpi "vq'dg'dtcegf "cv'o czko wo " 42ø'k'p'vgtxcn'qt'o czko wo "62ø'wukpi " "I "ceegrtcv'k'p'tcv'gf "eqw r'kpi u0'

"

" " 40' F vey qtn'ly cm'dg'dtcegf "cv'o czko wo "52ø'cpf "cv'gxgt { "wtp"cpf "f wev'twp"gp'f 0"Ncvgtcn' dtceki "cv'o czko wo "82ø'

"

" FO' Gs wkr o gpv' o qwpvgf "qp" j qwunggr kpi " r cf u<'Rcf u'uj cm'dg' r tqr gtn' " f qy grgf "qt" g'zr cpuk'p" u'j kgrf gf "vq'f gen'vq'o ggv'ceegrtcv'k'p'etkgtk00 cuqp'V{r g'J RC0'

"

" GO' Ugkuo le'tgutckp'u'ctg'pqv'tgs wktgf 'hqt'v'j g'hqny kpi <

"

" " 30' Rkr kpi "k'p'o gej cplecn'tqqo u'qt" r gpv' qwugu'nguu'v'j cp"3/3 l6ö"Q0F ."gzegr v'ht'g'r tqvge'k'p" cpf "i cu'r kr kpi 0'

" " 40' Rkr kpi "k'p'q'v'j gt'ctgcu'nguu'v'j cp"4/3 l4ö"Q0F 0'gzegr v'ht'g'r tqvge'k'p"cpf "i cu'r kr kpi 0'

" " 50' F wev'u'y j lej "j cxg'c'etquu'uge'k'p'pcn'ctgc'nguu'v'j cp"8'us wctg'hggv0'

" " 60' Cn'r kr kpi "uwur gpf gf "d{ "k'p'f k'k'f wcn'j cpi gt"34ö"qt'nguu'k'p'ngpi v'j "ht'qo "v'j g'vqr "qh'v'j g'r kr g' vq'v'j g'dqwqo "qh'v'j g'uw'r r qt'v'ht'v'j g'j' cpi gt. "gzegr v'ht'g'r tqvge'k'p'r kr kpi 0'

" " 70' Hkt'g'r tqvge'k'p'hggf "o ckpu'cpf "etquu'o ckpu'uwur gpf gf "d{ "k'p'f k'k'f wcn'j cpi gtu'8ö"qt'nguu'k'p' ngpi v'j "ht'qo "v'j g'vqr "qh'v'j g'r kr g'vq'v'j g'dqwqo "qh'v'j g'uw'r r qt'v'ht'v'j g'j' cpi gt0'

"

"
"

" " 80' Cni'vqr "uwr r qt vgf "f wev'uwr gpf gf "d{ "j cpi gtu"34ö"qt "rguu"kp"rgpi vj "Itqo "vj g"vqr "qh"vj g" f wev'vq"vj g"dqwo "qh"vj g"uwr r qt v'ht "vj g"j cpi gt0'

" " 90' Grgv'lecn'eqpf wk'rguu'vj cp"3/3 4ö"KF 0'

" HO' Hqt "qxgtj gcf " uwr r qt vgf " gs wkr o gpv." qxgt " ut guu" qh' vj g" dwkrf kpi " ut wewt g" o wuv' pqv' qeewt0" Dtcelpi "ecp"qeewt "Itqo <

" " 30' Hrcpi gu'vq"ut wewt cni'dgco u0'

" " 40' W'r r gt "qt "hry gt "t wuu'ej qtf u'kp "dct "lqkuv'eqpust wevkqp"cv'r cpgr'r qkpu0'

" " 50' Ecu'v'kp/r ræg'kpugt u'qt "f tkngf "cpf "uj kgrf gf "kpugt u'kp"eqpet gvg'ut wewt gu0'

" I 0' Dwkrf kpi "ugkuo le"cpf kqt "gzc cpukqp"lqkpw<"kpuvcni"j kpi gf "lqkpw"cv'r k'kpi "etqukpi "gzc cpukqp" lqkpw"qt "htg"y cmi"cpf "cpej qt "vj g"r k'kpi "gkj gt "ukf g"r gt "vj g" f g'ckr'r tqxf gf "qp"vj g"eqpvtcev' f tcy kpi u0'cpej qtu"qp"geej "gpf "ctg"vq"dg"ecr cdrg"qh'cee gr v'kpi "30'"ko gu'vj g"qr gtcv'kpi "r tguwt g" o wkr rkgf "d{ "vj g"r tq'gevgf "ctgc"qh"vj g"r k'g0'Eqpvtcevqt "uj cmi'tghgt "vq"Eqpvtcev'F qewo gpv'htq" htg"y cmi'cpf "ugkuo le"gzr cpukqp"lqkpw'rqecv'kqp0'

" " 30' Qhugv'uj cmi'dg"cee qo r rkuj gf "d{ "vj g"cppwct "o qv'kqp"qh'c" f qwdrg"ur j gt g"eqppgevt "RV RG" HE/3-"dqngf "vq"geej "gpf "qh'cp"kpvt o gf kv'g"uvggr'r k'g0'"Dtceng'v'geej "lqkpw'y kj "j kpi gf " uvggr'eqppgevkpu0'"J kpi g'uj cmi'j cxg"o r k'p"l'um'v'cuugo dn{ "qp"dqvj "ukf gu0'"Vj g"eqo r rvgf " cuugo dn{ "uj cmi'dg"O cuqp"V{ r g'Uchgrz "UHF GL/J G0'

504" I GP GTCN'XKDT CVIQP 'KUNCVIQP 'TGS WKTGO GP VU<

" CO' Kpuvcni'kuqr'vqtu'kp"cee qtf cpeg'y kj "o cpw'cewt gtu'tgeeo o gpf cv'kpu0'"Xkdtcvkqp"kuqr'vqtu'uj cmi' pqv'ecwug"cp{ "ej cpi g"qh'r qukkqp'tguw'kpi "kp"ut guugu"qt "o kucrki po gp0'

" DO' O gej cplecn'gs wkr o gpv'uj cmi'dg"kuqr'vgt "Itqo "vj g"dwkrf kpi "ut wewt g"d{ "o gcpu"qh'pqlug"cpf " xkdtcvkqp"kuqr'vqtu0'

" EO' Gcej "h'cp"cpf "o qv'qt "cuugo dn{ "uj cmi'dg"uwr r qt vgf "qp"c"ukpi rg'ut wewt cni'uvgr'htco g"y j gt g"pqvgf " qp"vj g"kuqr'v'kqp"cpf "ugkuo le"uej gf wrg+0'"Hgzkdrg" f wev'eqppgevkpu'uj cmi'dg"r tqxf gf "cv'kprg'v'cpf " f kiej cti g'f wev0'

" FO' Rtqxf g"r cktu"qh"j qtk' qpvcni'ko k'ur tkpi u"*Vj twu't gut'ckpw+"qp"hcpu'y kj "o qt g"vj cp"80'"kpej " ucw'le"r tguwt g"cpf "qp"j cpi gt "uwr r qt vgf . "j qtk' qpvcni' "o qwpvgf "czkni'hcpu'y j gt g'kpf kv'v'gf "

" GO' Rtqxf g"tguk'k'pwn{ "o qwpvgf "gs wkr o gpv." r k'kpi . "cpf "f wey qtni'y kj "ugkuo le"upwddgtu0'"Gcej " kpgt'vc"dcug'uj cmi'j cxg"o k'pko wo "qh'htqwt"ugkuo le"upwddgtu'rqecv'gf "emug"vq"kuqr'vqtu0'"

" " Upwd"gs wkr o gpv'f guki pcv'gf "htq"r quv'f kucv'gt "wug"vq"207'"kpej "30'"o o +"o czko wo "engctcpeg0" Qvj gt "upwddgtu'uj cmi'j cxg"engctcpeg"dgvy ggp"207'"kpej "6"o o +"cpf "2047'"kpej "9o o +0"

" HO' F wey qtni'eqppgevgf "vq"tqcv'kpi "gs wkr o gpv'uj cmi'dg"uwr r qt vgf "y kj "V{ r g"E"qt "V{ r g"H"kuqr'vqtu" htq"vj g'htuv'vj tgg'uwr r qt v'r qkpu0'

" I 0' Kpuvcni'v'kqp"qh'r k'kpi "xkdtcvkqp"kuqr'vqtu<

" " 30' Cmi'r k'kpi . "gzegr v'htg"r tq'gevkqp"ucp'f r k'g'u{ v'go u. "ku'kpenw'gf "w'pf gt "vj ku'ugevkqp0'

"
"

- " " 50' Vj g'kuqrvtu'uj cm'dg'kpuvcmgf 'y kj qw'tckupi 'vj g'o cej kpg'cpf 'htco g'cuugo dn'0'
- " " 60' Chgt "vj g'gpvtg'kpuvcnvqp"ku'eqo r rvg'cpf "wpf gt'hw'qr gtcvqpcn'ncf . "vj g'kuqrvtu" uj cm'dg'cf lwwgf "uq"vj cv'vj g'ncf "ku'vcpuhgtgf 'htqo "vj g'dmemu"vq"vj g'kuqrvtu0"Y j gp" cm'kuqrvtu'ctg"r tqr gtn' cf lwwgf . "vj g'dmemu"qt"uj ko u'uj cm'dg'dctgn' 'htgg'cpf "uj cm'dg" tgo qxgf 0'
- " " 70' Kpuvcn'gs wkr o gpv'y kj 'hgzkdkv' 'kp'y tkpi 'eqppgevkp0'
- " " 80' Xgtkh' "vj cv'cm'kpuvcmgf "kuqrvt"cpf "o qwpvpi "u{ uvg o u'r gto k'gs wkr o gpv'o qvqp"kp"cm' f k'gevkpu0" Cf lww' qt" r tqxf g" cf f k'qpcn' tgu'k'gpv' tgu'ckpu" vq" hgzkdn' "rko k' uctvwr " gs wkr o gpv'rcv'cn'o qvqp"vq" ö0'
- " " 90' Rtkqt"vq"uctvwr . "engp"qw'cm'hqtgki p"o cwgt "dgy ggp"dcugu'cpf "gs wkr o gpv0"Xgtkh' "vj cv' vj gtg'ctg"pq'kuqrvtu"uj qt'v'ekwku'kp"vj g'dcug. 'kuqrvtu. 'qt'ugkuo le'tgu'ckpu0'

506" R URGE VIQP <

" C0' W'qp" eqo r rvg'qp" qh' vj g' kpuvcnvqp" qh' cm' xkdtcvqp" kuqrvtu" cpf "ugkuo le" tgu'ckpu. "vj g' o cpw'cewtgt'at' n'qecn' tgrtgugpv'v'xg" uj cm' xkuk' vj g' r tqlgev' lqd" uksg. " xkukdn' " kpur gev' cm' kpuvcnvqpu" cpf " tgr qtv. " kp" y tkkpi . " cp{ " cpf " cm' f g'he'kgpelgu" htqo " vj g' ur g'ek'he'cv'kpu0' Cp{ " cf f k'kqpcn' eqttge'v'xg" o gcuwtgu" tgs wktgf " vq" r w' vj g' u{ uvg o " kp" vqcn' eqo r r'k'peg" uj cm' dg" vj g' tgr qpukdkv' "qh'vj g'kpuvcn'pi 'eqp't'cev'qt0'

"

.....GP F 'QHUGE VIQP "45"27"6: "

307"" SWCNK['CUUWTCPEG"

" C0' Kpuwvkwq"o cvgtkcu"cpf "ceeguqtkgu"hwtpkuj gf "cpf "kpuvcmgf "j gtgwpf gt"uj cm"y j gtg"tgs wktgf ."dg"
ceeqr r cplgf " d{ " o cpwkcwmtgu)' ewttdgpv' uwdo kwcn' qt" f cv" uj ggw" uj qy kpi " eqo r rkcpeg" y kj "

" D0' Kpuwvkwq"o cvgtkcu"cpf "ceeguqtkgu"uj cm'dg"kpuvcmgf "kp" c"y qtno cprkng"o cpggt"d{ "unimgf "cpf "
gzzr gtlkpegf "y qtngtu'y j q'ctg'tgi wctn' "gpi ci gf "kp"eqo o gtekrkpuwvkwq"y qtno"

" E0' Cm'eqxgtkpi "cpf "kpuwvkwpi "o cvgtkcu"uj cm'dg"o cpwkcwmtgf "d{ "Lqj pu"O cpxkng."Qy gpu/Eqtpkpi ."
Mpcwh"qt"Cto utqpi 0"

308"" UGCO U<

" C0' Qp"gzr qugf "kpuwvkwq."cm'rupi kwf kpcn'ugco u"uj cm'dg"nrg v'cv'y j g"vqr "cpf "dcem'qh'y j g"r kr g"cpf "
ektewo hgtgpwcn'lqkpu'uj cm'dg"nrg v'v" c"o kpo wo 0" Tcy "gpf "qh'kpuwvkwq"uj cm'dg"eqpegcrgf "d{ "
pgecn' "hqf kpi "y j g"gpf u'qh'y j g"lcengw0" Hkwkpi u."xcrxg"dqf lgu"cpf "hrcpi gu'uj cm'dg"hwtpkuj gf "y kj "

309"" RTKQT'VGUVRI <

" C0' Eqxgtkpi "uj cm'pqv'dg"cr r rkgf "wpkn'cm'r ctw'qh'y j g"y qtn'j cxg"dgpp"vgwgf "d{ "y j g"Eqptcevt"cpf "
tgxkgy gf "d{ "y j g"Gpi kpggt0"

30 "" XCRQT'DCTTKGT<

" C0' Xcr qt"dcttkgt"uj cm'dg"cr r rkgf "kp"ceeqtf cpeg"y kj "y j g"o cpwkcwmtgu)"kputwvkwpu"vq"o ckwckp"y j g"
kpgi tkv' "qh'y j g"xcr qt"dcttkgt"qp"eqnf "u{ ugo u0"

" D0' Cp"cr r tqxgf "xcr qt"tgctf gt"o cuve"eqo r cvkng"y kj "RXE"o wuv'dg"cr r rkgf "dgy ggp"r kr g"kpuwvkwq"
cpf "hkwkpi "eqxgt."cpf "qp" hkwkpi "eqxgt"cpf "y j tqcv'qxgtrcr "ugco 0"

" E0' Hqt" hkwkpi u"y j gtg"qr gtcvki "vgo r gtcwtg"ku"dgny "67"f gi 0Hqt"y j gtg"r kr g"kpuwvkwq"y kempguu"ku"
i tgcvt"y cp"3" ö."y q"qt"o qtg"rc{ gtu'qh'J kNq"vgo r "kpuwvkwq"kpugt"uj cm'dg"kpuvcmgf "dgpgej "
hkwkpi "eqxgt0"

30 "" O GVCN'UJ KGNFU<

" C0' O gvcn'uj kgrf u."38"i cwi g"i cxcplk gf ."uj cm'dg"cr r rkgf "dgy ggp"j cpi gtu"qt"uw r qt w'cpf "y j g"r kr g"
kpuwvkwq0"Uj kgrf u"uj cm'dg"tqnl'htgto gf "vq" hkwkpi"y j g"kpuwvkwq"cpf "uj cm'gzv'gpf "vr "vq"y j g"egpvt"rkpg"
qh'y j g"r kr g"cpf "y j g"hgpi y j "ur gekkfg "hqt"y j g"kpugt0"Kpuwvkwq"uj cm'dg"tki kf "v{ r g'ht"hgpi y j "qh'uj kgrf "
vq"r tgxgpv'etwuj kpi 0"

302"" FGNKGT['CPF'UVQTCI G'QHO'CVGTICNU"

" C0' Cm'qh'y j g"kpuwvkwq"o cvgtkcu"cpf "ceeguqtkgu"eqxgtgf "d{ "y j ku"ur gekkcvkwq"uj cm'dg"f grkxgtgf "vq"
y j g" lqd" uksg" cpf " uqtf " kp" c" uchg." f t{ " r rneg" y kj " cr r tqrtkvg" rcdgnu" cpf lqt" qj gt" r tqf wev"
kf gpwkkcvkwq0"

" D0' Vj g"eqptcevt"uj cm'wug"y j cvxgt"o gcpu'ctg"pgeguact{ "vq"r tqv'ev"y j g"kpuwvkwq"o cvgtkcu"cpf "
ceeguqtkgu"y kemo cvgtkcu"ugcrkpi "vcr g."gve+dghqg."f wtkpi ."cpf "chgt"kpuvcmwkwq0" P q" kpuwvkwq"

o cvgtkcn'uj cmi'dg'kpuvcngf 'y cv'j cu'dgeqo g'f co ci gf 'kp'cp{'y c{0"Vj g'eqpvtcevqt 'uj cmi'cnuq'wug'cni' o gcpu'pgeguuct {'vq'r tqvgev'y qtn'icpf 'o cvgtkcn'kpuvcngf 'd{'qyj gt'tcf gu0'

RCTV'4"/RTQFWEVU'

40''' RRRRI <

" C0' Kpuwcvg' cmi' pgy " eqpf gpucvg' rkpgu" y kj " Qy gpu/Eqtpkpi " Hldgti rcuu" CUL" y kj " UUN0' K" r k g' kpuwcvkp'y kj 'f qwdng'ugri/ugcnkpi 'rcr 'j cxkpi 'c'hcvtq{ 'cr r rkgf 'lcengv0"Cni'j qtk qpvcn'icpf 'xgtvkcni' kpuwcvgf " r k r kpi " rqcvgf " dgmj " :)2\$' CHH' r xgrn' cpf " pqv' r tqvgev'f " y kj " gpenqwt'gu' uj cmi' dg' r tqvgev'f " y kj "\ guvq"4222"R0K0E052"O ki'lcengvki 0Qwf qqt."gzt qugf 'r k r kpi 'uj cmi'dg'r tqvgev'f " y kj 'cno kpwo 'lcengv0"

" D0' Kpuwcvg'eqpf gpucvg'r k r kpi "y g'uco g'cu'hqt"j qv'r k r kpi "cdqvg'gzegr v'xcr qt'ugcn'cni'lqkpu."ugco u." gndqy u'icpf 'hkwkpi u0'

" E0' Hqt'cni'kpuwcvgf 'r k r gu."kpenf kpi 'tghtki gtcpv'r k r kpi ."gzt qugf 'vq'y gcjy gt'cr r n'c'38"o ki'go dqugf " cno kpwo 'lcengv'y kj "4\$'qxgticr 'cv'rupi kwf kpcn'icpf 'ektewo hgtgpvcn'lqkpu0"Ugewt'g'kp'r rceg'y kj " 516\$'z'0237\$'cno kpwo 'dcpf '3: '\$'qp'egpvgtu0'Cni'ugco u'uj cmi'dg'ugcngf 'y gcjy gt'vki j v0'

" F0' Hqco 'kpuwcvkp< 30' Rkr kpi "icpf 'Hkwkpi u0"O letqNqni'r rkp'r k r g'kpuwcvkp'uj cmi'dg'y kfg 'qt'vcr gf 'kp'r rceg'qxgt' ergcp.'ft{ 'r k r g'y kj 'cni'lqkpu'dwvfg 'hko n'vqi gjy gt0"Xcr qt'tgvcf gt'uj cmi'dg'O letq/Nqni' CR/V'r nu0'

" " 40' Vj g'kpuwcvkp'uj cmi'dg'hkpkj gf "y kj "o gcn'lcengvki "y kj "c'no kpcvgf "o qkwt'g'tgvcf gt0" O gcn'lcengvki "uj cmi'dg'qxgticr r gf "4"vq"5"lpej gu"73"vq"98"o o "icpf "j grf "kp'r rceg'y kj " uj ggvo gcn'uetgy u'qt'o gcn'dicpf u0'

" " 50' Gndqy u'icpf "vggu'uj cmi'dg'hkpkj gf "y kj "o cvej kpi "o gcn'hkwkpi "eqxgtu0"Qyj gt'hkwkpi u'kp" o gcn'lcengv'f " u'ugo u'uj cmi'dg'hkpkj gf "y kj "eqpxgpvcn'icpf' y gcjy gt'tgukrcpv' kpuwcvkpi " o cvgtkcn'y kj 'r clpv'f 'cno kpwo 'hkpkj 0'

" G0' Kpuwcvg' cmi' tghtki gtcpv' rkpgu" y kj " Cto cegni' hqco " kpuwcvkp" y kj " xkp{ n' r tqvgev'xg' eqcvkpi 0" Ccegr vcdng'uwdukwkpu'ctg'd{ 'K0 eqmni'qt' Cgtqhrz0'

" H0' Rtqxf g'o kpo wo 'kpuwcvkp'y kempgu'kp'ceeqtf cpeg'y kj 'y g'hqmjy kpi 'vcdng0'

" " " O kpo wo 'Rkr g'kpuwcvkp"

Rkr kpi " U{ ugo " V{ r gu"	" Eqpf vevxkv{ "	O gcp" Tcvkpi " vgo r "	Hwkv " Vgo r 0' Tcpi g"	" Twpqww 4'kp"- "	3'kp0 "icpf " rguu"	3/316" "vq" 3'314"	4" "vq" 6'kp0'	"7" cpf " Ncti g "
"	DVWkp lj us hM'	""H'	""H'	"kp0'	"kp0"	'kp0'	'kp0'	'kp0'
J gcvkpi 'U{ ugo u'	"	"	"	"	"	"	"	"
Nqy "Vgo r "	"047/04; "	347"	342/422"	"20"	"30"	"30"	"4"	"4"
Eqqrkpi 'U{ ugo u'	""	"	"	""	"	"	"	"

Ej kmgf "Y cvgt"qt"	"04/04: "	322"	"62/82"	"07"	"30"	"30"	"30"	"30"
Tgltki gtcpv'	"04/04: "	322"	Dgrny "62"	"30"	"30"	"30"	"30"	"30"

"

" " Tgkpuwrcvg'f wev'y j gtg'kpuwrcvqp"j cu'dggp'f kuwtdgf "wpgt'v'j ku'eqpvcv'cpf "hgc'v'gt"v'q'tgo clkpi " kpuwrcvqp0

"

404"" TGHTK GTCP V'KPUWNCVKQP "

"

C0 Kpuwrcvqp"uj cm'dg"e"hrzkdrg."emugf/egm'grcuvo gtle'r kr g"kuwrcvqp<CR'cto chrgz.'CE" Ceeqhrz0Cf j gukxg'uj cm'dg'cto chrgz "742."742'Drcem'qt"742'DNX'Cf j gukxg0Vj g'kpuwrcvqp" o wu'veqphqto "v'CUVO 'E756'I tcf g"3."V{r g"K' Kpuwrcvqp"o cvgtkcu'uj cm'j cxg'c"emugf'egm'utwewt g'v'q'r t'gxgpv'o qkuwtg'htgo "y kenkpi " y j lej "o cngu'k'cp"ghlekp'v'kpuwrcvqp0 Kpuwrcvqp"o cvgtkcu'uj cm'dg"o cpwrcwewt gf "y kj qw'v'j g'wug'qh'EHEa."J HEa'qt"J EHEa0K' ku'cnu'htgo cif gj { f g'htgg."m'j "XQEu."hkdgt'htgg."f wuv'htgg'cpf "tguku'o qrf "cpf "o kf gy 0' Kpuwrcvqp"o cvgtkcu'uj cm'j cxg'c"mco g'ur t'gcf "kpf gz'qh'ngu'v'j cp'47"cpf "c'uo qng/f gxgr gf " kpf gz'qh'ngu'v'j cp'72"cu'v'gugf "k'ceeqtf cpeg'y kj 'CUVO 'G': 60K'cf f k'kqp."v'j g'r tqf weu." y j gp'v'gugf ."uj cm'pqv'o gm'qt'f tkr "mco kpi "r ct'wergu."cpf "v'j g'mco g'uj cm'pqv'dg'r tqi t'guukxg0' Kpuwrcvqp"o cvgtkcu'uj cm'j cxg'c"o czko wo "v'j gto cni'eqpf wekxk'v' "qh'2049'Dw/kp0j /h⁴/A'c'v'c'" 97A'ho gcp'vgo r gtcwtg'cu'v'gugf "k'ceeqtf cpeg'y kj 'CUVO 'E'399"qt'CUVO 'E'73: 0' Kpuwrcvqp"o cvgtkcu'uj cm'j cxg'c"o czko wo "y cvgt'xcr qt'v'cpuo kuukap'qh'202: "r gto /k'pej gu" y j gp'v'gugf "k'ceeqtf cpeg'y kj 'CUVO 'G'; 8."Rtqegf wtg'c0

"

D0 Cm'hs wk' "cpf "uwev'k'p'hp'gu'uj cm'dg'kpuwrcv'gf "eqpv'k'w'wun' "htgo "c'r q'kp'v'8\$'k'p'kf g'v'j g" f kur r' { "ecug'v'j g'uwev'k'p'ugtx'leg'xcr'kg'cv'v'j g'eqo r t'guuqt0' Cm'm'j "vgo r gtcwtg'hp'gu"*- 32A'hp'f "dgrny "+uj cm'dg'kpuwrcv'gf "y kj "c"o k'p'ko wo "qh'3\$" y cm'v'j kempgu0' " Cm'o gf kwo "cpf "j ki j "vgo r gtcwtg'hp'gu"*- 32A'hp'f "uj cm'dg'kpuwrcv'gf "y kj "c"o k'p'ko wo "qh' 5 l6\$'y cm'v'j kempgu0' " J gcv'tger'ko "hp'gu'uj cm'dg'kpuwrcv'gf "htgo "v'j g'eqpf gp'k'p'i "w'pk'v'q'v'j g'j gcv'tger'ko "w'pku'y kj " 5 l6\$'v'j kempgu0' " Cm'tgh'ki gtcpv'eqr r gt "hp'gu"o wuv'dg'htgg'qh'gz'v'cp'g'w'u'ej go k'cnu'u'wej "cu'eqtt'qu'k'g'eng'cp'gtu" qt'dw'kf k'p'i "o cvgtkcu'f wuv'r t'kqt "v'v'j g'kpuwrcv'k'p'qh'v'j g'kpuwrcv'k'p'0Vj g'kpuwrcv'k'p'0"o wuv'dg" eng'cp'cpf "f t { "r t'kqt "v'k'p'wrcv'k'p'0' " Tgh'ki gtcpv'r k'g'uj cm'dg'ugcngf "y j k'g'unk'r k'p'i "qp'kpuwrcv'k'p'v'q'r t'gxgpv'htg'ki p"o cwgt'htgo " gp'v'tk'p'i "v'j g'wdg0'

"

E0 Kpuwrcv'k'p'ku'v'q'dg'unk' "qp'v'r kr g="m'p'i k'w'f k'pcn'unk'k'p'i "qh'v'j g'kpuwrcv'k'p'ku'p'q'v'cm'jy gf "gzegr'v' qp"o k'gt'gf "uge'v'k'p'u0'kpuwrcv'k'p'uj cm'dg'r wuj gf "qp'v'r kr g."p'q'v'r wngf 0' " Kpuwrcv'k'p'uj cm'dg"o k'gt'gf ."r t'gcf j g'gf "cpf "m'p'i k'w'f k'pcn'f "unk'k'p'kf g'v'j t'q'cv'v'q' "h'k'v'q'xgt"cm' R/"t'cr u."v'ggu'cpf "grd'qy u'qt'd'g'p'f u'q'xgt"; 2A' " Cm'dw'w'l'q'k'p'u'cpf "o k'gt'gf "ugco u'uj cm'dg'cf j g'gf "y kj "h'm'e'q'x'g'c'i g'qh'cf j guk'x'g'qp'd'q'v' " uwt'hegu0'kpuwrcv'k'p'uj cm'pqv'dg'ut'g'ej gf "y j gp'cf j g'k'p'i 0'

"

F0 Kpuwrcv'k'p'0"o wuv'dg'kpuwrcv'k'p' "k'p'cp'cf gs wev'gn' "x'gp'v'rcv'gf "ct'gc0K'0"o c { "dg"p'gegu'ct { "v'q" k'p'et'g'cug'kpuwrcv'k'p'v'j kempgu' "h'cf gs wev'g'x'gp'v'rcv'k'p'ku'p'q'v'r t'gug'p'v' "F'q'p'q'v'et'qy f "v'j g" kpuwrcv'k'p'."cm'jy "h'q't'cf gs wev'g'ck"o q'x'g'o gp'v'0' C'v'v'j g'd'gi k'p'k'p'i ."cv'g'x'gt { "34"v'q"3: "h'ggv."cpf "cv'v'j g'g'p'f u'qh'r kr k'p'i "t'w'p'u."v'j g'kpuwrcv'k'p'uj cm' dg'cf j g'gf "f k'g'e'v'nf "v'q'v'j g'eqr r gt "wuk'p'i "c"4\$'ut'kr "qh'cf j guk'x'g'0'kpuwrcv'k'p'uj q'w'f "p'q'v'dg" cf j g'gf "v'q'v'j g'r kr g'cv'v'j g'gz'v'g'o g'm'jy "r q'k'p'u'k'p'cp { "r kr k'p'i "t'w'p'0' U'cf f'ngu'uj cm'dg'kpuwrcv'k'p' "w'p'f gt "cm'kpuwrcv'gf "hp'gu'cv'w'p'k'ut'w'w'erc'o r u."eng'x'k'j c'p'i gtu."qt" m'ec'v'k'p'u'y j g'g'kpuwrcv'k'p'0"o c { "dg"eqo r t'gugf 0'

"

G0 Cto ch'z "KRJ "qt'P RJ "kpuwrcv'k'p'r kr g'j c'p'i gtu'ecp'dg'kpuwrcv'k'p' "cv'v'j g'eqo r t'guuk'p'm'ec'/"v'k'p'u" cpf "v'j g'ugco u'uj cm'dg'ugcngf "y kj "Cto ch'rgz "742."742'Drcem'qt"742'DNX'eqpvcv'cf j g/" uk'x'g'0'v'q"o k'p'ko k'g'v'j g"o q'x'g'o gp'v'q'ht'cto ch'z."k'ku't'geqo o g'p'f gf "v'j cv'c'r ck' "qh'p'q'p/unk' "r cf u'

"

dg'cfj gtgf "vq"vj g'enco r u0Kp'cf f kkp. "v"r t g x g p v m q u g p k p i "q h 'v j g'enco r u. "wug'qh'cp"cpw/
 xkdtcvqt{ 'hcuvgpgt. "uwej "cu'c'p{ m p / m e n k p i "p w w. "k u 'c n u q 't g e q o o g p f g f 0'
 " Y q q f "f q y g m 'q t "d m e m u. "q h 'c 'v j l e m p g u u 'g s w e n 'v q 'v j g 'k p u w r v k p p. "e c p 'd g 'k p u g t v g f "c p f "o w u v 'd g"
 e q o r r e g v n { "u g c r g f "k p v q 'v j g 'k p u w r v k p p 'c v 'v j g 'u c f f r g "m e c v k p u 0 C m 'u g c o u 'u j c m 'd g 'u g c r g f "y k j "
 C t o c h r z "742. "742" D r e m i q t "742" D N X "e q p v e v 'c f j g u l x g 0'
 " J c p i g t u 'e n c o r g f "f k t g e v { "v q "v j g 'r k r g 'u j c m 'd g "k p u w r v g f "q x g t "v j g 'j c p i g t = "k p u w r v k p p "u j c m 'd g"
 h m n { "c f j g t g f "v q "v j g 'j c p i g t 0 K p 'c f f k k p p. "j c p i g t u 'y k j "f q w d r g "t q f u 'u j c m 'd g "k p u w r v g f "d g w g g p"
 v j g 't q f u 0 C m 'u g c o u 'q h 'v j g 'k p u w r v k p p "u j c m 'd g 'u g c r g f "y k j "c f j g u l x g 0'
 " C m 'k p u w r v k p p "g z r q u g f "v q 'u w p r k i j v 'q t 'k p u v c m g f "q w f q q t u 'u j c m 'd g 'r t q v g e v f "y k j "y q "e q c u 'q h"
 " Y D 'C t o c h r z "H k p u j "q t "y g c v j g t "g u k u v c p v e q c v k p i "c p f "c n w o k p w o "l c e n g 0'
 "

46''' HKVVKPI 'EQXGTU'

" C0' Hkwkpi "eqxgtu"o c{ "dg" wugf "kp" rkgw "qh" kpuwrkpi "ego gpv"cpf "lcengv0" Rtqxkf g" hkwkpi "eqxgtu"kp
 \ guvqp"/"4222" RKE0 *42" O ki'vj lempguu" d{ "O cpxkmg0" Rtqxkf g" eqmgt "eqf gf" hkwkpi "eqxgtu"kp
 \ guvqp"522" Ugtlgu"52" O ki'lcengv" hqt "hkwkpi u" mecvgf "kp"vj g" O gej cplecn" Tqqo u"cpf "O gej cplecn"
 Rgpvj qwuggu0 Ceegr vcdng' uwdukswkqpu'ctg'd{ 'Ur ggf Nkpg'qt' Rtqvq0'
 "

" D0' I gpgtcrn/"Vj g'o cvej kpi "kpuvt' hkdgti rnuu"uj qwf "gkj gt"dg'y tcr r gf "eqo r r e g v n { "c t q w p f "v j g 'h k w k p i "
 q t 'u p w i n { "r k u k k p p g f "k p u k f g 'v j g 'h k w k p i "h q t "r t q r g t "h k 0" V j g 'k p u g t v 'u j c m 'e q x g t "v j g 'h m n 'k p p g t 'u w t h c e g "
 c t g c 'q h 'v j g 'h k w k p i "e q x g t 0" V j g 'h k w k p i "e q x g t 'k u 'v j g p 'v q 'd g 'c r r n g f "q x g t "v j g 'h k w k p i "c p f "k p u g t v 'c p f "v j g "
 v j t q c v u g e w t g f "d { "g k j g t 'v c e n i h c u g p k p i . "v c r k p i . "q t "d c p f k p i 0'
 "

" E0' Eqrf "Rkr g"/"Hkwkpi "u{ ugo u' dgrny "co dlgpv' vgo r gtcwtg"o wuv'j cxg" c" eqpvpwqwu" xcr qt "dctt lgt."
 gkj gt "y kj "r t g u w t g "u g p u k x g "R X E "V c r g. "q t "c p "c r r t q x g f "c f j g u l x g "u { u v g o 0 "Y j g p "R X E "V c r g "k u "
 w u g f . "c 4 \$ "f q y p y c t f "r c r "k u 't g s w t g f 0" Q p "e q r f "h k p u 'k p "u g x g t g "c o d l g p v 'v g o r g t c w t g u. "v j g 'h k d g t i r n u u "
 k p u g t v 'u j c m 'd g "v j g "u c o g "v j l e m p g u u "c u 'v j g "c f l c e g p v r k r g "k p u w r v k p p 0" C m 'l q k p u 'u j c m 'v j g p "d g 'u g c r g f "
 y k j "R X E "V c r g 0'
 "

RCTV'5'6'GZGEWVIQP "

58''' UKVGR URGEVIQP "

" C0' Dghqtg" uctv kpi "y qtni' wpf gt" vj ku' ugevkp. "ectghwn{ "kpur gev"vj g" ukg" cpf "kpuvcngf" y qtni'qh' qv gt"
 vcf gu"cpf "xgth{ "vj cv' uvej "y qtni'ku" eqo r r e g v "v q "v j g "r q k p v "y j g t g "k p u v c n v k p p "q h "o c v g t k e n "c p f "
 c e e g u u q t l g u 'w p f g t "v j k u 'u g e v k p p "e c p "d g i k p 0"
 "

" D0' Xgth{ "vj cv'cm' o cvgtkni'cpf "ceeguutlgu'ecp'dg' kpuvcngf "kp" ceeqtf cpeg'y kj "r tq l g e v 'f t c y k p i u "c p f "
 u r g e k h e c v k p u "c p f "o c v g t k n i 'o c p w h e w t g t u 't g e q o o g p f c v k p u 0"
 "

" E0' Xgth{ .d{ 'kpur gev kpi 'r tqf wev' hcdgnkpi . "uwo kvcnlf cvc. "cpf lqt' egt v h e c v k p u 'y j l e j "o c { "c e e q o r c p { "
 v j g " u j k r o g p w u. "v j c v 'c m 'o c v g t k n i ' c p f " c e e g u u t l g u " v q " d g " k p u v c n g f " q p " v j g " r t q l g e v ' e q o r n { " y k j "
 c r r h e c d r g ' u r g e k h e c v k p u " c p f " u c p f c t f u ' c p f " o g g v u r g e k h e g f " v j g t o c n l c p f " r j { u l e c n l r t q r g t v k u 0'
 "

504''' RTGRCTCVIQP "

" C0' Gpuwtg'vj cv'kpuwrkvp'ku'engcp. "ft{ . "cpf "kp"i qqf "o gej cplecn' eqpf kkp"cpf "vj cv'cm' hcevt{/cr r nkgf "
 hckpi u" ctg" kpvcev' cpf " w p f c o c i g f 0 Y g v. "f k v { . " q t " f c o c i g f " k p u w r v k p p " k u " p q v ' c e e g r v c d r g " h q t "
 k p u v c n v k p p 0"
 "

" D0' Gpuwtg'vj cv' r t g u w t g ' v g u k p i " q h ' r k r k p i " c p f " h k w k p i u ' j c u ' d g g p ' e q o r r e g v f ' r t k q t ' v q ' k p u v c n k p i ' k p u w r v k p p 0'
 "

56''' K UVCNNCVKQP "

"

" C0' I gpgten'

"

" " 30' Kpucm'cm'kpawc'vqp"o cvgtkcu'cpf "ceeguqtkgu'kp"ceeqtfcpeg'y kj "o cpwheewtgt'u'r wdrkuj gf "kpwtwe'vqp" cpf "tgeqi pk gf "kpf wwt { "r tcevegu" vq" gpuwtg" y' cv' k'y kmi' ugtxg" ku" kpgpf gf " r wtr qug0'

"

" " 40' Kpucm'kpawc'vqp"qp'r k' kpi "uwdugs wgpv'vq'r ckp'kpi ."cpf "ceegr vcepg'v'guu0'

"

" " 50' Kpucm'kpawc'vqp"o cvgtkcu'y kj "uo qqj "cpf "g'xgp'uwthcegu0'kpawc'vq" gcej "eqpv'kwqwu'twp"qh' r k' kpi "y kj "hnm'ngpi y' "wpsu'qh'kpawc'vqp."y kj "ukpi ng'ew'r kgeg'vq"eqo r ngv'g'twp0F q'p'qv'wug" ew'r kgegu"qt "ueter u'cdw'kpi "gcej "qv' gt0'Dww'kpawc'vqp"lq'kw'u'kto n' "vq"gpwtg"eqo r ngv." vki j v'hw'qxgt"cm'r k' kpi "uwthcegu0'

"

" D0' Hk'kpi u'

"

" " 30' Y tcr "xcn'gu."hk'kpi u."cpf "uko krc"t"kgu u'lp" gcej "r k' kpi "u' u'vgo "y kj "y len'kpi "o cvgtkcu'vq" gpuwtg'c"eqpv'kwqwu'r cy "322' "eqxgtci g+hqt'y' g'tgo qxcn'qh'eqpf g'puc'vqp0"

"

" " 40' Ugcni'cm'k'kpi "lq'kw'y kj "eqp'tcevt' uwr r k'gf "Xcr qt Y len'Ugcni'kpi "Vcr g'qt'cr r tqxgf "xcr qt" tgvtf gt'bo cu'ke"eqo r qwpf 0'

"

" E0' Rpggtc'vqp"

"

" " Czvgpf "r k' kpi "cpf "f wev'kpawc'vqp"y kj qw'kpvt'tw' vqp'y' tqwi j "y cmu."hm'qtu'cpf "uko krc"t"r k' kpi "qt" f wev'r gpgtc'vqp0'

"

56''' HIGNF 'S WCNK['CUUWTCPEG'

"

" C0' Wf qp"eqo r ngv'vq"qh'cm'kpawc'vqp"y qtm'eqxgtgf "d{ "v' ku'ur gek'hecv'kp."xkucm' { "kpur gev'y' g'y qtm' cpf "xgth' { "v' cv'k'j cu'dggp"eqttgeva' { "kpucmgf 0'"Vj ku'o c{ "dg"f'qpg"y j k'g'y qtm'ku'lp"r tqi tguu."vq" cuuwtg"eqo r r'cpeg"y kj "tgs w'tgo g'pw"j gt'gk' "vq" eqxgt" cpf "r tqgev'kpawc'vqp"o cvgtkcu' f'v'kpi "kpawc'vqp0"

"

" D0' Tgr n'ceg"cp{ "eg'kpi "f co ci g'ecwugf "d{ "eqpf g'puc'vqp" f'wg"vq"ko r tqr gt"eqxgt'kpi "cpf "ugcni'kpi "f'v'kpi " y' g'i wctcpvgg'r gt'kqf "qh'y' ku'lqd0'

"

57''' RTQVGEVQP "

"

" C0' Tgr n'ceg"f co ci gf .t'go q'xgf "qt" f'kwtdgf "kpawc'vqp"y kj "cr r tqr t'k'v' h'kdgti' cuu'kpawc'vqp0'

"

" D0' Vj g" kpawc'vqp" eqp'tcevt' "uj cmi' cf x'kug" v' g" i gpgten' cpf lqt" v' g" o ge'j cplecn' eqp'tcevt' "cu" vq" tgs w'tgo g'pw' hqt"r tqgev'vq"qh'y' g'kpawc'vqp"y qtm'f'v'kpi "v' g'tgo ckpf gt"qh'y' g'eqp'utwe'vqp"r gt'kqf ." vq'cxqkf "f co ci g'cpf "f'gvt'k'qtc'vqp"qh'y' g'h'k'uj gf "kpawc'vqp"y qtm0"

"

58''' UCHGV['RTGECWVQP U'

"

" C0' Kpawc'vqp"eqp'tcevt' u'go r m{ ggu'uj cmi'dg'r tqr gtn' { "r tqgev'vq" f'v'kpi "kpawc'vqp"qh'cm'kpawc'vqp0" Rtqgev'vqp"uj cmi'k'pen'f' g'r tqr gt"cw'k'g"y j gp"j cpf kpi "cpf "cr r n'kpi "kpawc'vqp"o cvgtkcu."cpf "uj cmi' k'pen'f' g'*dw'p'qv'dg' h'ko k'gf "vq+f' kur qucd'g'f' wv'tgur k'cv'qtu."i' m'xgu."j ctf "j' cvu."cpf "g'g'r tqgev'vqp0"

VQY P'QHI NCUVQPDWT["

"

'DRF % N/423:/3: "

CK'EQPFVKQPPI 'RUVCNVCVKQP'CV'HQWI'GNGO GPVCT['UEJ QQNU'

I NCUVQPDWT[.EQPPGEVREW"

"

"

" DO' Vj g"kwvkvqp"eqptcevqt"uj cni'eqpf wev'cni'lqd"ukg"qr gtcvkqpu"kp"eqo r rkepeg"y kj "cr r rkecdrg"
rtqxlukqpu'qh'y g"Qeew cvkqpcn'Uchgv\ "cpf "J genj "Cev"cu'y gm'cu'y kj "cm'ucvg"cpf lqt'mqecn'uchgv\
cpf 'j genj 'eqf gu'cpf 'tgi wkvkqpu'y cv'o c{ 'cr r n\ 'q'j'y qtn0

"

"

" " " " " " GP F "QHUGE VKQP "45"29"22"

"

"

UGEVKQP "45"2; "35/"K UVTWO GP VCVKQP "CPF 'EQP VTQNU'HQT"J XCE

RCTV"3"/I GP GTCN

308 TGNCVGF 'FQEWO GP VU

C0 Vj g'I gpgtci'Rtqxkukqpu"qh"vj g"Eqpvtcev."kpenmf kpi "I gpgtci'cpf "Uwr r ngo gpvt { "Eqpf kqpu" cpf " I gpgtci' Tgs wkt go gpvu." cr r n { " vj " y qtnl' ur gekhgf " kpi " y ku" Ugevkqp0

D0 Vj g'I gpgtci'Tgs wkt go gpvu'kpi'Ugevkqp"42"22"72"uj cmi'cnuq'i qxgtp"vj g'y qtnl'wfp gt" y ku'Ugevkqp0

E0 Gzco kpg"cmi'f tcy kpi u"cpf "f cve"cpf "eqqtf kpcvg"vj g'y qtnl'qh"vj g"Ugevkqp"y kj "cmi' tgrvvgf "cpf "cf lqkpi "y qtn0

304 I GP GTCN'TGS WKTGO GP VU

C0 Vj g" kpgpv' qh" y ku" ur gekhgf " ku" vj " r tqxkf g" c" eqpvtqni' u{ ugo " y cv' y kmi' eqo o wplecvg"ugco nguun{ "y kj "vj g"gzkukpi "Crgtvp"Dwkrf kpi "Cwqo cvkqp"U{ ugo 0

D0 Vj g'eqpvtqni' u{ ugo "uj cmi'dg"cu'o cpwkewtgf "d{ <

30 Crgtvp"Vgej pqmji { "kpe0

E0 Rtgr ctg" kpf kxkf wcn' j ctf y ctg" r { qwu." kpvgteqppgevkqp" f tcy kpi u." cpf " uqhy ctg" eqphki wcvkqp'htqo "r tqlgev'f guki p'f cve0

F0 K r ngo gpv' yj g" f gwkrkf " f guki p" hqt" cmi' cpcmji " cpf " dlpct { " qdlgevu." u{ ugo " f cvdcugu." i tcr j ke" f kur r { u." mji u." cpf " o cpci go gpv' tgr qt w' dcugf " qp" eqpvtqni' f guetkr vkpu." mji ke" f tcy kpi u." eqphki wcvkqp" f cve." cpf " dlf " f qewo gpvu0

G0 F guki p." r tqxkf g." cpf " kpuvcmi'cmi'gs wkr o gpv'ecdkgvu." r cpgnu." f cve"eqo o wplecvg" pgy qtnl'ecdrgu'pggf gf." cpf "cmi'cuqekcvgf "j ctf y ctg0

H0 Rtqxkf g" cpf " kpuvcmi' cmi' kpvgteqppgevkpi " ecdrgu" dgy ggp" uwr r rkgf " ecdkgvu." cr r rkecvkqp"eqpvtqmgtu." cpf "kpr wkwvr w'f gxlegu0

I 0 Rtqxkf g"cpf "kpuvcmi'cmi'kpvgteqppgevkpi "ecdrgu" dgy ggp"cmi'qr gtcvtqai"vgto kpcni' cpf "r gtr j gtcn'f gxlegu"uwej "cu'r tkpvtu." gve0"uwr r rkgf "wfp gt" y ku'ugevkqp0

J 0 Rtqxkf g"eqo r rgyg"o cpwkewtgtai"ur gekhgf kqpu" hqt" cmi'kgo u" yj cv'ctg" uwr r rkgf 0 kpenmf g"xgpf qt"pco g"qh'gxgt { "kgo "uwr r rkgf 0

K0 Rtqxkf g"uwr gtxluqt { "ur gekrkuu" cpf "vgej plekcpu"cv' yj g"lqd" uksg"vq"cuukiv"kp"cmi' r j cugu'qh'u{ ugo "kpuvcmi'vkqp." uctwvr . "cpf "eqo o kuukpki 0

L0 Rtqxkf g" c"eqo r tgj gpukxg"qr gtcvt"cpf "vgej plekcp"vckpki "r tqi tco "cu" f guetkdgf " j gtr p0Rtqxkf g"cu/dwkr'f qewo gpvcvkqp."qr gtcvtqai"vgto kpcni' uqhy ctg." f kci tco u." cpf "cmi' qv' gt"cuuqekcvgf "r tqlgev'qr gtcvkqpcni' f qewo gpvcvkqp"uwej "cu" vgej plecni' o cpwcnit"qp"cr r tqxgf "o gf k." yj g"uwo "vqcn'qh'y j kej "ceewtcvgn{ "tgr tguvpvu" yj g"

hpcn'u{ ugo 0

MO Vj g'ncvuv'gf kkp'qh'vj g'hqmy kpi "ucpf ctf u'cpf "eqf gu"kp"ghge'v'cpf "co gpf gf "cu"
qh'uwr r rkt)u'r tqr qucn'f cvg."cpf "cp{ "cr r rkecdrg"uwdugev'kpu'vj g'g'qh'uj cm'i qxgtp"
f guki p'cpf "ugrge'v'kp'qh'gs wkr o gpv'cpf "o cvgtkcn'uwr r rktf <

30 Co gtlecp"Uqekg'v'qh'J gcvkpi ."T ghtki gtcv'kpi "cpf "Ck"Eqpf kkp'kpi "
Gpi kpggtu"*CUJ TCG+0

40 CP UKCUJ TCG'Uc'p'c'f'357/4223."DCEpgv0

50 Wp'k'q'to "Dwkr kpi 'Eqf g'*WDE+'kpen'f kpi 'mecn'co gpf o gpv'0

60 WN"; 38"Wpf gty tkgtu'Ncdqtcv'qtkgu'Uc'p'c'f' "hqt"Gp'gti { "O cpci go gpv"
Gs wkr o gpv'0E'c'p'c'f' "v'j g"WU0

70 P cv'k'p'cn'G'g'v'k'c'ni'Eqf g'*P GE+0

80 HEE'Rctv'37."Uwdr ctv'L'Ercuu'C

305 UEQRG

Rtqxkf g"cm'p'ge'gu'ct { "DCEpgv'eqo r r'k'p'v'j ctf y ctg"cpf "uq'hy ctg"v'q"o gg'v'v'j g'u{ ugo au"
h'w'p'v'k'p'cn'ur g'ek'h'ec'v'k'p'u0"Vj g'eq'p't'q'n'u{ ugo "qr g'c'v'k'p'i "uq'hy ctg"cpf "j ctf y ctg"uj cm'dg"
h'w'ni { "k'p'v'g't'q'r g't'c'd'rg" c'p'f "k'p'v'g't'h'c'g'f "y k'j " v'j g" g'z'k'k'k'p'i " Uej q'q'n' Y k'f g" C'g'v'q'p"Eqo r cuu"
uq'hy ctg'0Vj g'p'gy "XTH'u{ ugo "d'g'k'p'v'g'i t'c'v'g'f "v'q'v'j g'J g'c'f "G'p'f "m'ec'v'g'f "c'v'v'j g'I r'c'u'v'p'd'w' { "
J k'j " Uej q'q'n' c'p'f "c'v'v'j g"u'c'o g" v'k'o g."k'v'uj cm'r t'q'x'k'f g"v'j g"e'c'r c'd'k'k'v' "h'q't"q'p"u'k'g"eq'p't'q'n'0"
Rtqxkf g'h'w'ni'eq'm't'i t'c'r j k'eu0'

306 EQPVTQN'Y KTR I

Cm'F k'g'v'F k'k'c'ni'Eq'p't'q'n'y k'k'p'i "y k'n'd'g"k'p'u'c'm'g'f "c'p'f "v'g't'o k'p'c'v'g'f "d { "v'j g"Vgo r g'c'w't'g"
Eq'p't'q'n'Eq'p't'c'v'q't'0"Eq'p't'q'n'y k'k'p'i "uj cm'd'g"f g'h'k'p'g'f "cu'h'q'm'y u<

Cm'y k'k'p'i "q'h'g'r'g'v'k'le l'g'r'g'v'q'p'k'le I F F E "v'g'o r g'c'w't'g"eq'p't'q'n'cu'uj q'y p'q'p'v'j g'f't'c'y k'p'i u0

Cm'v'g'o r g'c'w't'g"eq'p't'q'n'r c'p'g'n'y k'k'p'i "v'q"v'g't'o k'p'c'ni'ut'k'r u"c'p'f "h'g'r'f "y k'k'p'i "h't'q'o "v'g't'o k'p'c'ni'
ut'k'r u"v'q'h'g'r'f "o q'w'p'v'g'f "f g'x'k'g'u0

Cm'y k'k'p'i "v'q'v'j g"öC'w'q'ö'uk'f g'q'h'v'j g'j c'p'f /q'h'c'w'q'uy k'ej gu'q'p'v'j g'w'p'k'u'd'g'k'p'i "eq'p't'q'm'g'f "
d { "v'j g"Vgo r g'c'w't'g"Eq'p't'q'n'Eq'p't'c'v'q't'0

Cm'y k'k'p'i "uj cm'le'q'o r n'f "y k'j "P cv'k'p'cn'U'c'v'g."c'p'f "N'q'ec'n'g'r'g'v'k'c'ni'eq'f gu0

307 RQYGT'Y KTR I

Cm'r q'y g't"y k'k'p'i "y k'n'd'g"k'p'u'c'm'g'f "c'p'f "v'g't'o k'p'c'v'g'f "d { "v'j g"G'r'g'v'k'c'ni'Eq'p't'c'v'q't'0"R'q'y g't"
y k'k'p'i "uj cm'd'g"f g'h'k'p'g'f "cu'h'q'm'y u<

Y k'k'p'i "q'h'c'm'f g'x'k'g'u"c'p'f "e'k't'ew'k'u'e'c't't { k'p'i "x'q'n'c'i gu'i t'g'c'v'g't'v'j c'p'342"X0

Y k'k'p'i "q'h'r' q'y g't'h'g'g'f u"v'q"cm'f k'ue'q'p'p'g'v'u'c't'v'g'tu."c'p'f "g'r'g'v'k'le"o q'v'q'tu0

Y kłpi "qh"342XCE"r qy gt "hggf u"vq"cm'vgo r gtcwtg'eqpvtqnr' cpgn0
Rqy gt 'y kłpi "vq"342"X"ukpi rg'r j cug"o qvqtu0

30 Y QTM'WPF GT"QVJ GT"UGEVIQP U"

Vj g" hmqy kpi " y qtm' uj cm' dg" r tghqto gf " d{ " vj g" f guki pcvgf " Eqpvtcevqt" wpf gt " vj g"
uwr gtxkukqp"qh'vj g"Vgo r gtcwtg'EqpvtqnEqpvtcevqt0

Vj g'GrgevtkecnEqpvtcevqt"uj cm<
Dg'tgur qpukdng'hqt"vj g'y qtnicu"qwwkpgf "wpf gt'r qy gt'y kłpi 0

30 O CVGTICNU

Cm'lo cvgtken'cpf "gs wkr o gpv'wugf "uj cm'dg"uvcpf ctf "eqo r qpgpu."tgi wrctn{ "o cpwłcewtgf "
hqt"vj ku'cpf kqt"qyj gt'u{ ugo u."cpf 'uj cm'pqv'dg'ewuqo 'f guki pgf "gur gekcm{ "hqt"vj ku'r tqłgev0
Cm'eqo r qpgpu'uj cm'j cxg"dggp"vj qtqwi j n{ 'vguvf "cpf 'r tqxgp "kp"cewcn'wug0

Vj g'eqpvtqn'u{ ugo 'uj cm'dg"o cpwłcewtgf "d{ "Cngtvp"Vgej pqmı kgu."Kpe0

30 UWDO KVCNU'CPF 'FTCY R I U

Grgevtqple"eqr kgu"qh"vj g"hmqy kpi "uj cm'dg"uwdo kwgf "hqt"cr r tqxcn'r tkqt"vq"vj g"u{ ugo "
kpuvcn'vqp0
Eqpvtqn' f tcy kpi u" y kj " f gvcłrgf " y kłpi " f kci tco u." kpenf kpi " dkm' qh" o cvgtken' cpf "
f guetkr vqp"qh'qr gtcvqp"hqt"cm'u{ ugo u0
Rcpgr'ic{ qwu0
F cve"uj ggw'hqt"cm'eqpvtqn'u{ ugo "eqo r qpgpu0
Wr'qp" eqo r rgvqp" qh" vj gug" kpuvcn'vqp" cpf " hłpcn' u{ ugo " cf l'wuo gpw." vj g" Eqpvtqn'
Eqpvtcevqt"uj cm'r tqxkf g"vj tgg"*5+hwmıugv'qh'cu/dwkn'f tcy kpi u'qh'vj g'kpuvcn'vqp0

RCTV"4"/"RTQF WEVU

RCTV"5"/"GZ GEWVKP

50 R UVTWEVIQP 'CPF 'CF LWUVO GP VU

Wr'qp" eqo r rgvqp" qh" vj g" r tqłgev." vj g" Vgo r gtcwtg" Eqpvtqn' Eqpvtcevqt" uj cm' Ej gem"
xcıkf cvg." cpf " ecıkdtevg." y j gtg" tgs wktgf ." cm' eqpvtqngtu." eqpvtqmgf " f gxkegu." xcıkgu."
cewcvqtu."cwzkrıct { 'f gxkegu."tgrı { u."gve0r tqxkf gf "wpf gt"vj ku'ugevqp0

504 EQQTF R CVIQP

Eqqt f kpcvg"vj g'eqpvtqn'hwtpkuj gf "wpf gt"vj ku'ugevqp"y kj "vj g'eqpvtqn'hwtpkuj gf "y kj "vj g"
dqkgtu"cpf "ej kngtu'tguwłkpi "kp"ce"eqo r rgv"u{ ugo "r tqr gtn{ "kpwgthceg f 0

506 U UVGO "VWTP "QXGT

Wt qp"eqo r ngvqp"qh'vj g'kpucm'vqp."vj g'Eqpvtqn'Eqpvtcevqt"uj cm'uvctv'wr "vj g'u{ uogo "cpf "
r gthqto " cm' pgeguuct { " vguvpi " cpf " twp " f kci pqvku" vq " gpuwtg" r tqr gt " qr gtcv'kp0' Cp "
ceegr v'peg"v'guv'kp"vj g'r t'gugpeg"qh'vj g"Qy pgt'au'Tgr t'gugp'v'v'xg"qt"vj g"Gpi kpggt"uj cm'dg "
r tghqto gf 0" Vj g"ceegr v'peg"v'guv'uj cm'eqpukun'qh'c"r q'kp'v'v'q/r q'kp'v'ej gen'q'w'y kj kp"geej "
vgo k'pcn'v'pk'eqpvtqngt"v'kp'v'v'g'r tqr gt "qr gtcv'kp"qh'cm'u{ uogo "eqo r qpgpvu0

Y j gp"vj g"u{ uogo "ku" f ggo gf "ucv'k'cevqt { " kp" y j qrg" qt " kp" r ctv' d { " vj gug" qdugt'xgtu." vj g "
u{ uogo "r ctv'u'y kn'dg"ceegr v'gf "hqt"dgpg'h'ek'n'wug"cpf "r m'eg"v'pf gt "y cttcpv{ 0

Rtqdrgo u"y j lej "qewt"y kj kp"cr r tqxgf "j ctf y ctg"qt "uqhw' ctg"uj cm'dg"eqttge'v'gf "kp"cp "
cr r tqr t'kv'g" h'uj k'qp" v'pf gt "y cttcpv{ 0" Cp { " uvej " qeewt'g'peg" u'j cm' p'qv' x'q'k' " r t'g'x'k'q'w'u "
cr r tqx'cn'j qy g'xgt."vj g'Eqpvtqn'Eqpvtcevqt"uj cm'dg't'gur q'puk'ng"v'q'c'w'g'p'f "v'q."cpf "t'go gf { . "
uvej "kgo u'y kj kp"vj g'y cttcpv{ "r g'k'q'f 0"Cr r tqr t'kv'g"n'q' i u.'uej gf w'gu."cpf "t'gr q't'u'uj cm'dg "
o c'kp'v'k'p'g'f "v'q't'gh'ge'v'v'j gug'kgo u'cpf "vj g'k' t'gf t'guu0

506 VTCRPI IQY PGT'U'R UVTWEVKQP

C0 Vj g'Eqpvtqn'Eqpvtcevqt"uj cm'r tqx'kf g"v' y q"*4+"eqr k'gu"qh'cp"qr gtcv'qt'au"o c'p'w'cn' "
f g'uet'k'k'p'i "cm'qr gtcv'k'p'i "cpf "t'q'w'k'p'g"o c'k'p'v'g'p'c'peg"ugt'x'k'eg"r t'q'eg'f w'g'u"v'q"dg"v'ug'f "
y kj "vj g"u{ uogo 0" Vj g'Eqpvtqn'Eqpvtcevqt"uj cm'k'p'ut'w'ev"vj g"qy pgt'au" f g'uk' i p'c'v'g'f "
t'gr t'gug'p'v'v'x'g"kp" vj gug" r t'q'eg'f w'g'u" f w'k'p'i " vj g" u'ct'v'w' " cpf " v'guv' r g'k'q'f 0" Vj g "
f w'c'v'k'p'q'h'v'j g'k'p'ut'w'ev'k'p'ct'g"v'q"dg"eq'p'f w'ev'g'f "f w'k'p'i "p'q't'o c'n'y q't'n'k'p'i "j q'w't'u'cpf "
uj cm'dg"p'q'ng'u"v'j cp"uk'z'v'g'g'p"*38+"j q'w't'u'f k'x'k'f g'k'p"*6+."h'q'w't'j q'w't'u'g'u'k'q'p'u0

507 Y CTTCPV[

C0 Vj g'gp'v'k'g'd'w'k'f k'p'i "eqpvtqn'u{ uogo "uj cm'dg'y cttcpv'gf "hqt"c'r g'k'q'f "qh"*3: +o q'p'y u "
h'q'm'y k'p'i "vj g" f'c'v'g"qh'd'g'p'g'h'ek'n'wug0" Cp { "o c'p'w'k'c'ew't'k'p'i "f g'h'ge'u"ct'k'k'p'i "f w'k'p'i "
vj k'u'r g'k'q'f "uj cm'dg"eqttge'v'gf "y kj q'w'v'eq'u'v'v'q"vj g"qy pgt0" Vj k'u"y cttcpv{ "uj cm' "
d'ge'q'o g"gh'ge'v'x'g"u'ct'v'k'p'i "vj g" f'c'v'g"vj g"qy pgt"dg'i k'p'u"v'q"t'ge'g'k'x'g"dg'p'g'h'ek'n'wug"qh' "
vj g"u{ uogo 0

GP F "QH'UGE VKQP "45"2; "35

"

" D0 Y j gtg'ceegu'ku'tgs wktgf 'v'xcxgu'gve0'yj cv'qewt'cdqyg'r{/k'egk'kpi u.'yj gug'ceegu'f qqtu'ecp'dg' qo kwgf.'r tqxkf gf "uwkcdrg" r rucwle "o ctngtu'kf gpwkh'kpi "gzcev'iqecv'kqp" qh'xcxgu'gve0" qp"r{/k' egk'kpi u'ctg'cr r rkgf "f k'gevf "dgn'y "xcxg"i tqwr kpi "cpf "kf gpwkh'kpi "d{"c"pwo dgt."yj ku'pwo dgt"v"dg' wugf "cu'c'o ctng'kpi "qp'xcxg'ej ct'00 ctngtu'uj cmi'dg'cr r rkgf "v'j g'egk'kpi 'i tkf."pqv'yj g'egk'kpi 'v'kg0

RCTV'4"/RTQF WEVU'

408"" RRRG'CPF 'HK/VKPI U'<

" C0 Eqr r gt "Vwdkpi <

" " 30 V{r g'\$N\$.'CUVO 'Ur gekh'ecv'kpu'D: : .uj cmi'dg'wugf 'hqt'y cvgt 'rkpgu0'

" " 40 Hkwkpi u'uj cmi'dg'y tqwi j v'eqr r gt "qt'ecu'dtcu'uqrf gt/"lqkpv'r tguuw'g'tcvgf "v{r g0'

" " 50 V{r g'\$M\$'uj cmi'dg'wugf 'hqt'w'p'f gti tqwpf 'r k'kpi 'y kj 'hrt'gf 'hkwkpi u0'

404"" RRRG'J CPI GTU'<

" C0 Ugewtgn' "j cpi "cpf "cpej qt" r k'g"cu"uj qy p"cpf "tgs wktgf "y kj "r tqr gt" r tqxkukqp" hqt" gzc'cpukqp." eqpvtcev'kqp'cpf "g'ko kpc'kqp"qh'w'p'f wg'ut'guu'cpf "ut'ckp"qp'r k'kpi 0'

" D0 Rtqxf g" c"r k'g"j cpi gt "y kj k'p"y q"*4+"hggv'qh'gcej "gndqy ."v'gg."y {g."xcxg."ut'ckp'gt"cpf "uko k'rt" f g'xleg0'

" E0 Ugewt'g'cpf "uwr r qt'v'wpu'cv'dcug'cpf "cv'uw'h'ek'gp'v' "enq'ug'k'p'v'gt'xcu'v'q"j qif "r k'g'cv'c'iki po gpv'cpf "v'q" ectt{"uch'gn' "y'g'y g'ki j v'q'h'r k'kpi "cpf "eqp'v'gp'u'y kj qw'w'p'f wg'ut'guu'v'j gt'gqp0'

" F0 Gzegr v'cu" k'p'f k'ecv'gf "v'q"v'j g"eqpvtct{" .ugewt'g"cpf "uwr r qt'v'cm'j qtk'qp'v'cn'r k'kpi "cu" h'qm'y u" cpf " tgs wktgf "v'q"r tg'x'gp'v'uci i k'kpi .w'p'f wg'r k'g'o q'x'g' gpv'cpf 'r t'g'ug't'x'g'r tq'r gt'c'iki po gpv'k'p"gej 't'w'p0'

" " Rkr kpi "" " Uk'gu "" " Oczko wo "K'v'gt'xcn'

" " Eqr r gt "Vwdkpi " 3'3'16\$('uo cmgt" Hx'g'*7+'hggv'

" " Eqr r gt "Vwdkpi " 3'3'14\$('rti gt" " Gki j v'*: +'hggv'

" G0 J cpi gtu'vr "v'q"cpf "k'pen'f kpi "4\$'uj cmi'dg'yj g'cf'lw'w'cdrg"dc'p'f "v{r g'gs wcn'v'q"Go r kt'g0'Hki wt'g'532'hqt' kt'q'p'r k'g'cpf "Hki 0532EV'hqt'eq'r r gt'w'dkpi 0'

" H0 J cpi gtu'hqt'r k'kpi "4/3'14\$'cpf "vr "uj cmi'dg'yj g'eng'x'ku'v'v'g."gs wcn'v'q"Go r kt'g0'Hki wt'g'33'hqt'kt'q'p'r k'g' cpf "Hki wt'g'332EV'hqt'eq'r r gt'w'dkpi 0'

" I 0 J cpi gtu'uj cmi'dg'uwr gp'f gf 'ht'qo "q'p'g'q'h'yj g'h'qm'y kpi 'f g'x'legu'<

" " 30 \$E\$'en'co r u0'

" " 40 Vtcr g'g'j cpi gt "cu'go d'rt'gu" eq'p'uk'v'kpi " qh' d'c'eni'v'q/d'c'eni'j qtk'qp'v'cn' u'gg'n' ej c'p'p'gn'u" y kj " gp'f/v{r g't'q'f 'j cpi gtu0'

" " 50 Gz'rc'p'uk'qp'uj k'gn' "go d'g'f f gf "k'p'v'q'eq'p'et'g'v'q't'o cu'q'pt{0'

" J 0 Qp't'gh'ki g't'c'p'v'u{ u'v'go u.'r tqxkf g'q'x'gt/uk'gf 'j cpi gtu0'

" K0 T'gh'gt'v'q"U'ge'v'k'p'45276: 'hqt'U'g'kuo k'e'T'g'ut'c'k'p'u0'

"

"

405 "" HNQQT'CPF 'EGKPI 'RNCVGU<

" C0 Hwtpluj "cpf "kpuvcmlucv"ej tqo g'r rvgf "r tguugf "o gvcnlhmq"cpf "egkpi "r rvgu"qp"cm'gzr qugf "r kr gu"
r cuulpi "y tqwi j "hmqtu."y cmu."egkpi u."cpf "r ctvklqpu"y tqwi j qw0

406 "" TGCO PI 'QHRKRGU<

" C0 Cml'r kr gu"vq"dg'ectghwn{ 'tgco gf "chgt"ewwpi "cpf "y tgcflpi 0"

407 "" RRRG'CPPEJ QTU<

" C0 Hwtpluj "cpf "kpuvcml'cm'uvgn'enco r u'ctqwpf "o ckpu"pqv'rguu"y cp"3 l6\$"y ken'cpf "y grf gf "vq"r kr g"cpf "
pgeguet { "cpi rg"dtcegu"vq"uwducpvknleqpustvevq"vq"o ggvlqd"eqpf kklqpu0Cpej qtgf "o ckpu"uj cml'dg"
r tqr gtn{ "i wkl gf 0"

" D0 Xgtvkcni'tkgtu."h"cp{."uj cml'dg"cepej qtgf "d{ "uko krc"enco r u"ugewt gf "vq"hmqt."eqpegcngf "kp"y cml'
eqpustvevq0

408 "" J CPI GTUC'PF "UNGGXGU<

" C0 Cml'j qtk qpvcn'r kr lpi "uj cml'dg"uw r qtvgf "lp"c"i qqf ."hko "cpf "uwducpvkn'o cppgt0" "Pq"ej ckpu."
j qtk qpvcn'r kgegu"qh'r kr g"qt"j cpi gtu"hqto gf "d{ "o gcpu"qh'r gthqtcvgf "uvgn'dcpf u."r kr g"tkpi u"cpf "
j qqm"y kni'dg"r gto kvgf 0"Rtqxlk g"ecuv"tkqp"egkpi "r rvgu"hq"cm'j cpi gtu"lp"hpkluj gf "dcugo gpv"
egkpi u0Cml'j cpi gtu"uj cml'dg"qxgtuk gf "

" D0 Hwtpluj "cpf "r ræg"\$J qrg/Qwu\$"r rucv"r tghqto gf "npqenq"uv"urgxgu"hq"cm'r kr gu"r cuulpi "y tqwi j "
eqpetgvg"qt "vkg"hmqtu"qt"r ctvklqpu0"Cml'r kr gu"r cuulpi "y tqwi j "vkgv"tqgo "cpf "o gej cplecn'tqgo "
hmqtu"uj cml'dg"r tqxlk gf "y kj "i tqwgf ."ur rk'Uej gf wr": 2"uvgn'r kr g"urgxgu."r cengf "y kj "j ckt"hnv"
cpf "Rqtvcpf "ego gpv"vq"cmqy "hqt"hnwuj lpi "qh'hmqtu"y kj qw"ngcni g0"Cml'r kr gu"cpf "eqpf vku"
r cuulpi "y tqwi j "hmqtu."y cml'qt"r ctvklqpu"uj cml'dg"r tqxlk gf "y kj "urgxgu"uk gf "vq"i kxg"c"o kpo wo "
qh'3 l4\$"erctcepej"dgw ggp"urgxg"cpf "y j"qwu"kf g" f kco gvg"qh"y j"r kr g."eqpf vku"qt"kpucvklqpu."
gpenulpi "y g'r kr g"qt"eqpf vku0

" E0 Urgxgu"y tqwi j "eqpetgvg"hmqtu"qt"lpvgtkqt"o cuqpt { "y cml'uj cml'dg"Uej gf wr"62"uvgn'r kr g."ugv'hnwuj "
y kj "hpkluj gf "y cml'qt"egkpi "uwtcegu."dw'gzvpgf lpi "4"lpej gu'cdqyg'hpkluj gf "hmqtu"qt"uj cml'dg"lp"
ceeqtf cpeg"y kj "f gwcku"qp"ftcy lpi u0"K"cm'o gej cplecn'gs vkr o gpv'tqgo u"qt"r gpv qwgu."urgxgu"
uj cml'gzvpgf "8"lpej gu'cdqyg'hpkluj gf "hmqt0

" F0 Cml'qwu"kf g'r kr lpi "r cuulpi "y tqwi j "gzvgtkqt"y cmu."hqwpcvklqpu"y cml'cpf "hmqtu"uj cml'dg"hwtpkluj gf "
y kj "hrcpi gf "E00"y cml'urgxgu"lp" wtp."l0f0Uo kj "qt"lquco 0"Hwtpluj "y kj "hrcuj lpi "enco r "y j gtg"
urgxg'r cuugu"y tqwi j "y cvgr tqqh'o go dtcpg0

409 "" TGHTK GTCPV'RRRI <

" C0 Cml'tghki gtcpr'r kr lpi "uj cml'dg"kpucmgf "lp"eqo r rkepeg"y kj "cml'ucv"cpf "hqcncleqf g'tgs vkt go gpv0"

" D0 Eqpvcvqt"uj cml'hgrf "xgth{ "r kr lpi "ngpi y "cpf "rc{ qw"y kj "y j"gs vkr o gpv'o cpw'cewgt"r tkqt"vq"
uctv"qh"cp{ "y qtn0"Eqpvcvqt"uj cml'uwdo k'c"uj qr "ftcy lpi "uj qy lpi "tghki gtcvklqpu"r kr g"rc{ qw."

- " rgi vj u'cpf'r kr g'ukl gu'r tkqt 'v'uvctv'qh'kpuvcmkpi 'cp{ 'tghtki gtcvkqp'r kr kpi 0'"
- " E0' Tghtki gtcpv'r kr kpi 'uj cm'dg'eqr r gt 'wdg'CUVO "D"4: 2. "V{r g'CET. 'j ctf /f tcy p'utcki j v'rgpi vj u' qt "uqlh'cpggcrnf "eqkn"ugco rguu'eqr r gt'wdkpi 0'"Vvdkpi "uj cm'dg'hcevqt { "ergcpgf . "tgcf { "hqt "wug" cpf 'kpuvcmkqp. 'cpf 'j cxg'gpf u'ecr r gf 'v' r tqgev'ergcprkpguu'qh'r kr g'kpvgtkqt0'
- " F0' Hkwkpi u'uj cm'dg"Y tqwi j vEqr r gt'hwkpi u'CP UKD3804. 'utgco rkp'g'r cwgtp0'
- " G0' Vvdkpi "uj cm'dg'lqkpgf "wukpi "dtc| kpi "hrgt"o cvgtkcn'uwej "cu'r j queqr r gt "qt"ukrgt cmj{0'"Eqo r n{ " y kj " 'j g" r tqegf wgu" eqpvkpgf " kpi "vj g" CY U" oDtc| kpi " O cpwcnio' " Eqpvcevqt" uj cm' veng" cm' cr r tqr tcvg'r tgecvkqpu"y j gp'eqpf wvkpi "dtc| kpi "y qtn'v"r tqgev'v j g"dwkr kpi "cpf "r gqr rg"htqo " hwo gu. 'hkg'cpf "uo qng0'"Hkn'r kr g'y kj "kpgtv'i cu'uwej "cu'f t { "pkqgi gp'v' r t g x g p v' h q t o c v k p q h u e c r g y j k g d t c | k p i 0'
- " H0' Eqpvcevqt"uj cm'eqqt'f kpcv'g"cpf "r tqxk'g"cm'tghtki gtcvkqp" r kr kpi "ur gekcnkgu"cu'tgs vkt gf "d{ "v j g" tghtki gtcvkqp"gs vkr o gpv'o cpwkewtgt'v"gpvutg"c"eqo r rvg'cpf "hwpevkqkpi "tghtki gtcvkqp"u{uggo 0'" Tghtki gtcvkqp"ur gekcnkgu'uj cm'dg'WN"cr r tqxgf . 'rkvgf 'cpf 'uj cm'eqphqto 'v'CUK9820'
- " I 0' Kpuvcm'tghtki gtcpv'r kr kpi "kp'ceeqtf cpeg'y kj 'CUJ TCG'ucpf ctf "370"Kpuvcm'r kr kpi "kp'cu'uj qt'v'cpf " fktgev'o cpggt'cu'r quikng"v"o kpklo k'g'r tguwtg"f tqr "cpf "tghtki gtcpv'xqno g0' Kpuvcm'wukpi "v j g" hgy guv'pwo dgt'qh'lqkpu'cpf 'hwkpi u'cu'r quikng0'
- " J 0' Cttepi g'r kr kpi "v"cmjy "hqt"kpur gev'kqp. "rgcm'v'wukpi . "cpf "ugt xle'kpi "qh"vj g"hwkpi u'cpf "cf lcegpv' gs vkr o gp'0'"Cmjy "hqt"cf gs wcv'g'ugt xleg'engtcpegu'qh'r kr kpi "cpf "gs vkr o gp'0'
- " K0' R'v'q'k'g'k'p'uw'v'k'p' "hqt"tghtki gtcvkqp" r kr kpi "cpf "eqpf gpucv'g'f tclp"r kr kpi "cu'tgego o gpf gf "d{ "v j g" gs vkr o gpv'o cpwkewtgt0'"K' vj g" o cpwkewtgt" f qgu" pqv' j cxg" cp { " kpuwv'kpi " tgs vkt go gpv'u' qt" tgego o gpf cvkpu" vj gp' vj g" eqpvcevqt" uj cm' cv" o kpklo wo " kpuwv'g" vj g" uwevkqp" rkp'g" htqo " vj g" g x c r q t c v q t ' v j g ' e q p f g p u k p i ' v p k v e q o r t g u u t k p r g v + c p f ' v j g ' e q p f g p u c v g ' f t c l p r k p g 0'
- " " Fq"pqv'kpuvcm'kpuwv'kqp"wp'k'i'cm'tghtki gtcpv'r kr kpi "j cu'dggp"vgv'g'f"cpf "r tqxgp"v"dg'htgg'htqo " rgnuo0'"kpuwv'kqp"uj cm'dg"WX"tgukncpv'cpf "uj cm'eqo r n{ "y kj "P HRC"tgs vkt go gpv' hqt "hkg"cpf " uo qng'f g x g n r g f t c v k p i ' h q t ' h q c o ' c p f ' k p u w v ' k p i ' o c v g t k n u 0'
- " L0' Cm'r gpgt'cvkpu'uj cm'dg'ungxgf"cpf "uj cm'dg'ugrgf0'"Rtqxlk'g'y gcvj gt'k'j v'ugcn'hqt'gzvgtkqt'r kr g' r gpgt'cvkpu'cpf "htguv'qr r kpi "hqt"kpvgtkqt'r gpgt'cvkpu0'"O cvgtkcu'uj cm'dg'qh'cp'cr r tqxgf "v'r g'hqt" vj g'cr r r'cevkp0'
- " M0' K'p'geguuct{ "v"tgo qxg"tghtki gtcpv'htqo "v j g"u'uggo "v j g"eqpvcevqt"ku'g'zr gev'gf "v"cf j g'g"v"cm' tgi wv'kpu'cpf "r tqegf v'gu'i qxgtkpi "tgercko kpi "qh'v j g'tghtki gtcpv'0'"W'pf gt'pq'ektewo ucpegu'o c{ " tghtki gtcpv'dg'r wti gf "qt'tgrgcuf "v"v j g'c'vo qur j g'g'0'
- " N0' Vj g'eqpvcevqt"uj cm'v'gu'v'cm'tghtki gtcpv'r kr kpi "cpf "eqo r rvg'n{ "gxcewcv'g" v j g" tghtki gtcpv'u{uggo " wukpi "c"xcewwo "r wo r 0'"Eqpvcevqt"uj cm'etgc'cv" c"xcewwo "y kj kp"vj g'u'uggo "eqttgur qpf kpi "v"q" c" vgo r gtcwv'g'qh'57"fgi "H'qp"c"xcewwo "f g'j { f t c v k p p f l e c v t 0 ' E q p v c e v q t u j c m i x c r k g q h h r w o r c p f " k p u r g e v v j c v u { u g o x c e w w o k u o c k p v k p g f h q t c o k p k o w o q h h x g * 7 + j q w t u 0 ' E q p v c e v q t u j c m i v j g p d t g e m i x c e w w o w u k p i v j g c r r t q x g f t g h t k i g t c p v h q t v j g g s v k r o g p v e q p p g e v g f v q v j g r k p i u u g o 0 ' C m j y r t g u u t g v q d w k r i t c f w e m v q c o k p k o w o j q r f k p i e j c t i g r t g u u t g q h 7 r u k 0'
- " O0' Eqpvcevqt"uj cm'o gcwv'g"cpf "hkn'v j g'tghtki gtcpv'u'uggo "y kj "v j g'v'r g'cpf "s wcpv'k{ "qh'tghtki gtcpv' ur gekkg'f "d{ "v j g"tghtki gtcvkqp"gs vkr o gpv'o cpwkewtgt0'"Eqpvcevqt"uj cm'cnj'v'eng"r kr g'xqno g"

cpf "qy gt"cff kkkpcn'rkpg"xqmo g"lpvq"ceeqwpv'y j gp"ej cti kpi "y g"u{vngo 0"Eqpvtcevqt"uj cml'xgtkh{"
y cv'uw'he'kgpv'qr gtcv'kpi "ej cti g'ku'r tqxkf gf "cpf "rgcxg'u{vngo "kp'hwn'qr gtcv'kpi "qtf gt0"

RCTV'5"/GZ GE WVIQP "

"

508"" RPUVCNNCVKQP <

"

C0 Hwtpluj "cpf "kpuvni'y g'tgltki gtcv'p'cpf "eqpf gpucv'g'r kr kpi "cu'uj qy p"qp'r rpu0""

"

D0 Ej gem'rgewtkecnf tcy kpi u'vq'o cng'wtg'y cv'y ku'r kr kpi "y kn'pqv'eqph'hev'y kj "uwej "y qtn0"

"

E0 Cnir kr kpi "y qtn'uj cml'dg"lpuvcmgf "y kj "r tqr gt "r tqxkukqp"vq"cmqy "hqt"gzr cpukqp"cpf "eqpvtcevq"qh"
rkpgu"uq"cu"vq"r t'gxp'v'cp{ "wpf wg"utckpu"qp"r kr g"cpf "hvkpi u"cp{ "vcr r kpi "qh'rkpgu"qt"rkv'kpi "qt"
f km'jecv'kpi "qh'cp{ "crr rk'pegu0 T'gevk{ "y kj qw"equv"vq"y g"Qy pgt"cp{ "gzr gpugu"qh'ewv'kpi "cpf "
tgr ctk'kpi "qh'y g'dv'kf kpi "utwewt'g'kpek'gpv'vq'o cni'kpi "uwej "cngtcv'kpu0"

"

F0 Kpuvni'y g"y qtn'vq"eqphqto "vq"ur ceg"eqpf kkkpu"cpf "y g"y qtn'qh"qvj gt "vcf gu0 Vj g"f tcy kpi u"
kpf kec'v'i gpgtcm{ "y g"twpu"cpf "uk'gu'qh'r kr kpi "cpf ."cnj qwi j "y g"uk'g'o wv'pqv'dg"f getgcugf ."pqt"
y g"f tcy kpi u"f g'xlc'v'f "htqo ."gzegr v'cu" wphqt'guggp"ur ceg"eqpf kkkpu"o c{ "tgs vkt g."y g"tki j v'ku"
t'gxtugf "vq'o cng'o kpat'ej cpi gu'lp"y g"ctt'cpi go gpv'qh'y g"y qtn'vq"o gg'v'eqpf kkkpu'ct'k'kpi "f v'kpi "
eqputvev'kpu0"

"

G0 Rtqxf g" gzr cpukqp" hvkpi u" cv' cm' r'jecv'kpu" y j gtg" r kr gu" etquu" gzr cpukqp" qt" ugkuo ke" lqkpu0"
Eqqt'f kpcv'g'y kj "Ctej kgewt'cnf tcy kpi u'hqt'q'jecv'kpu0"

"

504"" O KUEGNNPC GQWU'RIRI <

"

C0 Hwtpluj "cpf "kpuvni'eqr r gt "f tclp"rkpgu"htqo "eqq'kpi "eqk'f tclp"r cpu'cpf "gzv'gpf "vq"qwu'k'g'y j g'y gt"
qt'pqv'uco g'ku'uj qy p0"

"

505"" VGUVRI <

"

C0 Cnir'qy "r kr kpi "uj cml'dg"v'gugf "cpf "o cf g'v'ki j v0"

"

D0 Chgt"y g"u{vngo "ku'y qtqwi j n{ "ergcp'gf ."k'uj cml'dg"r w'lpvq"qr gtcv'kqp"d{ "y ku'Eqpvtcevqt0"Cml'r ctu"
qh'y g"u{vngo "uj cml'dg"y qtqwi j n{ "v'gugf "cpf "y ku'Eqpvtcevqt"uj cml'ect'ghwm{ "k'p'utwev'y g"Qy pgt"u"
cwj qtk'gf "tgr t'gug'p'v'x'g"cu"vq"y g'r tqr gt "qr gtcv'kqp"cpf "ctg'qh'y g"gp'v'kt'g"u{vngo 0"

"

E0 Chgt" y g"u{vngo u" ctg" y qtqwi j n{ "ergcp'gf ." y g{ "uj cml' dg" r w' lpvq" qr gtcv'kqp" d{ " y g" J gcv'kpi "
Eqpvtcevqt0"Cml'r ctu'qh'y g"u{vngo "uj cml'dg"y qtqwi j n{ "v'gugf "cpf "y ku'Eqpvtcevqt"uj cml'ect'ghwm{ "
k'p'utwev'y g"Qy pgt"u"cwj qtk'gf "tgr t'gug'p'v'x'gu"cu"vq"y g"r tqr gt "qr gtcv'kqp"cpf "ectg"qh'y g"gp'v'kt'g"
u{vngo 0"

"

"

"

"

"

"

"

"

"

"

"

"

"

"

"

"

"

"

"

GP F "QH'UGEVIQP "45"43"35"

VQY P'QHI NCUVQPDWT[
CKT'EQPFKVKPPI 'K'UVCNNCVKQP'CV'HQWT'GNGO GPVCT['UEJ QQNU
I NCUVQPDWT[.EQPPGEVKEWW

'DKF % N/423:/3:

UGEVKQP '45': 3'48'6"XCTKCDNG'TGHTK GTCP V'HNQY 'U UVGO

RCTV'3'/'I GP GTCN

308'" TGNCVGF 'F QEWO GP VU<

- C0 Vj g'I gpgtci'Rtqxkukapu"qh' yj g"Eqptcev"lpenxf lpi "I gpgtci'cpf "Uwr r ngo gpwt {"Eqpf kklapu"cpf "
I gpgtci'Tgs wktgo gpw."cr r n' "v"yj g'y qtnlur gekhkf 'lp' yj ku'Ugevkqp0
- D0 Vj g'I gpgtci'Tgs wktgo gpw'lp'Ugevkqp'422272'uj cni'cnq'i qxgtp' yj g'y qtnl'wpf gt' yj ku'Ugevkqp0
- E0 Gzco kpg' cm' f tcy lpi u' cpf " f cv" cpf " eqqt f kpcv" yj g' y qtn' qh' yj ku' Ugevkqp" y kj " cm' t g r v g f " cpf "
cf lqklpi " y qtn0

308'""U UVGO 'F GUETKRVKQP [/UGTKGU*J GCVIEQQN'O QF GN+

""""""""Rgt " yj g"gs wkr o gpv'uej gf wrg. " yj g"xctkcdng" ecr cekf. " j gcvr' wo r "ck" eqpf kklpki "u{ ugo "dcuku"qh"
f guki p'ku'O kuwdkij k'Grgevtle'EKV['O WNVKXTH'*Xctkcdng'Tghtki gtcpv'Hrty +] qplpi "u{ ugo *u0"
Ceegr vcdng'cngtpev'xg'o cpwrcwtgt. "cuwo lpi "eqo r rkepeg'y kj "yj gug"gs wkr o gpv'ur gekhkecvkpu."
ku"F cknk0"Eqptcevqt"dkf f lpi "cp"cngtpev'g'o cpwrcwtgt" f qgu'uq"y kj "hwn'npqy rnf i g" yj cv' yj cv"
o cpwrcwtgu'r tqf wv'o c { "pqv'dg"ceegr vcdng"qt"cr r tqxgf "cpf " yj cveqptcevqtu'tgur qpukdng'ht "cm"
ur gekhkf "kgo u'cpf "kpgpw'qh' yj ku' f qewo gpv' yj kj qw'hw' yj gt"eqo r gpucvkqp0

308'""""""S WCNK['CUUWTCPEG

Vj g'wpku'uj cm'dg'rkvgf "d{ 'Grgevtlecn'Vgukpi "Ncdqtcvqtkgu"*GVN+"cpf "dgct" yj g'GVN'rdgr0

XCTKCDNG'TGHTK GTCP V'HNQY 'U UVGO U

45': 3'48'/'3

- 30 Cm'ly klpi 'uj cm'dg'lp'ceeqtfcpeg'y kj 'y g'P cvkqpcn'Gngvtecrn'Eqf g'*P GGE00
- 40 Vj g'wpku'uj cm'dg'o cpwcewtgf 'lp'c'hcckk' 'tgi kngt'gf 'v'KUQ'; 223'cpf 'KUQ36223'y j lej " ku'c'ugv'qh'ucpf ctf u'cr r n' lpi 'v'gpxk'qpo gpvcr'rtqvev'kqp'ugv'd{ 'y g'K'vgt'pcv'kqpcn' Ucpf ctf 'Qti cpk' cvkq' *KUQ+0
- 50 Cm'wpku'o wuv'o gg'vt'gzeggf 'y g'4232'Hgf gtc'ri'o k'plo wo 'gh'he'kgpe{ 'tgs wkt go gpw'cpf 'y g' CUJ TCG'; 20'gh'he'kgpe{ 'tgs wkt go gpw'ht'XTH'u{ ugo u0'Gh'he'kgpe{ 'uj cm'dg'r wdr'kuj gf " lp'ceeqtfcpeg'y kj 'y g'CK/Eqpf k'kq'kpi .J' gc'vpi . 'cpf 'T'ght'ki gtc'v'kqp'k'puk'wng'*CJ TK' Ucpf ctf '34520'
- 60 U{ ugo 'u'ct'v'wr 'uwr gtx'kuk'q'uj cm'dg'c'tgs wkt gf 'ugt'x'leg'v'q'dg'eqo r ng'v'f'd{ 'y g' o cpwcewtgt'qt'c'f'w' 'c'w'j'qt'k'gf . 'eqo r gv'gp'v'tgr t'gug'p'cv'k'g'y cv'j' cu'd'ggp'h'ce'v'qt{ " v'cl'k'p'gf 'lp'u{ ugo 'eq'p'hi w'c'v'k'q'p'cpf 'qr g'c'v'k'q'p'0'Vj g'tgr t'gug'p'cv'k'g'y'uj cm'r tq'x'f'g'r tq'q'h'q'h' o cpwcewtgt'egt'v'k'he'c'v'k'q'p'k'p'f'k'ec'v'k'pi 'u'we'eg'ui'h'w'le'qo r ng'v'k'p'y kj k'p'p'q'o q't'g'y' cp'w'y' q'*4+ { g'ct'u'r' t'k'q't'v'q'u{ ugo 'lp'uv'c'v'k'q'p'0'Vj ku'egt'v'k'he'c'v'k'q'p'uj cm'dg'lp'ew'f'gf 'cu'r'ct'v'q'h'y'g' gs wkr o gp'v'cpf l'q't'eq'p't'q'n'u'w'do k'v'c'n'0"

304 FGNKKG[.UVQTCI G'CPF'J C'P'FN'K'P'I

30 Wpk'uj cm'dg'u'q'f'gf 'cpf' 'j' cp'f'ng'f' 'cee'q't'f' l'p'i 'v'q'y'g'o cpwcewtgt'au't'ge'qo o gp'f'cv'k'q'p'0

307" YCTTCPV[

- A. Vj g'EKV['O WNVK'wpku'uj cm'dg'eqx'gt'gf 'd{ 'y g'o cpwcewtgt'au'r'ko k'gf 'y'ctt'cp'v'f' 'h'q't'c'r'g't'k'q'f' 'q'h'3: " o q'p'y' u'r'ct'w'c'p'f' 'u'g'x'g'p'*9+{ g'c't'eqo r t'g'u'q't'v'q'y'g'q't'k'i' l'p'c'n'q'y' p'g't' 'h't'q'o 'f'c'v'g'q'h'lp'uv'c'v'k'q'p'0
- D0 K'p'uv'c'v'k'p'i 'eq'p't'c'ev'q't'uj cm'o'gg'v'o cpwcewtgt't'gs wkt go gpw'v'q'q'd'v'c'k'p'g'z'v'p'f'gf 'o'cpwcewtgt'au' r'ko k'gf 'r'ct'w'c'p'f' 'eqo r t'g'u'q't'y'ctt'cp'v'f' 'h'q't'c'r'g't'k'q'f' 'q'h'v'g'p'*32+{ g'c't'u'v'q'y'g'q't'k'i' l'p'c'n'q'y' p'g't' 'h't'q'o 'f'c'v'g' q'h'lp'uv'c'v'k'q'p'0'Vj ku'y'ctt'cp'v'f' 'uj'cm'p'q'v'lp'ew'f'g'nd'q't'0
- E0 O cpwcewtgt'uj cm'j'cx'g'c'o'k'plo wo 'q'h'h'h'ggp'*37+{ g'c't'u'eq'p'v'k'p'w'q'w'u'g'z'r'g't'k'p'eg'r' t'q'x'f'k'p'i 'XTH' u{ ugo u'lp'y'g'WLU'o'ct'ng'v'0
- F0 Cm'o'cpwcewtgt'v'ge'j'p'le'c'n'c'p'f' 'ugt'x'leg'o'cp'w'c'n'u'o'w'uv'd'g't'g'c'f'k' 'c'x'c'k'c'nd'g'h'q't'f'q'y'p'm'q'f'd{ 'c'p{ " m'ec'n'eq'p't'c'ev'q't'uj'q'w'f' 'go'g't'i'g'p'e{ 'ugt'x'leg'd'g't'gs wkt gf 0'T'g'i'k'ng't'k'p'i 'c'p'f' 'u'k'i'p'k'p't'gs wkt go gpw'y'j'lej " o'c{ 'f'g'r{ 'go'g't'i'g'p'e{ 'ugt'x'leg't'g'h'g't'g'p'eg'c't'g'p'q'v'c'm'q'y'gf 0
- G0 Vj g'EKV['O WNVK'XTH'u{ ugo 'uj cm'dg'lp'uv'c'v'k'p'f' 'd{ 'c'eq'p't'c'ev'q't'y'kj 'g'z'v'g'p'uk'x'g'EKV['O WNVK' lp'uv'c'v'k'p'f' 'ugt'x'leg't'c'k'p'k'p'i 0'Vj g'o'cp'f'c'v'q't{ 'eq'p't'c'ev'q't'ugt'x'leg'c'p'f' 'lp'uv'c'v'k'p'f' 'uj'q'w'f' 'd'g' r'g't'h'q't'o'gf 'd{ 'y'g'o'cpwcewtgt'0

RCTV'4" GS WRO GP V

40B """"[/UGTKGU'J GCVRPI IEQQNPI '*J GCV'RWO R+ 'C'K'E/QQNGF 'Q'W'F'Q'Q'T'W'P'K'U

A. I gpgtck

30 Vj g'qwf qqt'wpl'o qf wgu'uj cml'dg'ck/eqqrgf .f kt gev'gzzr cpukqp'*FZ +.'o wnk| qpg'wplku'
wugf 'ur gekhecm| 'y kj 'XTH'eqo r qpgpw'f guetkdgf 'kp'yj ku'ugevqpp'cpf 'Rctv7'*Eqptqnu+0"
Vj g'qwf qqt'wpl'o qf wgu'uj cml'dg'gs wkr r gf 'y kj 'c'ulpi rg'eqo r tguuqt'y j kej 'ku'lpkgvgt/
ftkxgp'cpf "o wnk rg'ektekw'dqctf uo cml'qh'y j kej "o wuv'dg'o cpwheewt'gf "d{ 'y g'dt'cpf gf "
XTH'o cpwheewt'gt0"Gcej "qwf qqt'wpl'o qf wgu'uj cml'dg'eqo r rvgv{ 'hcevt { 'cuugo drgf ."
r kr gf 'cpf 'y kt gf 'cpf 'twp'vugvf 'cv'yj g'hcevt { 0"

40 Qwf qqt'wpl'u{ ugo u'o c{ 'dg'eqo r tkgf "qh'o wnk rg'o qf wgu'y kj "f khtkpi 'ecr cek{ 'kh'c"
dt'cpf "qy gt 'y ep'dcuku'qh'f guki p'ku'r tqr qugf 0"Cml'wplku'tgs wtkpi 'c'hcevt { 'uwr r rkgf "
y kppki 'nku'uj cml'dg'r kr gf "qi gj gt 'lp'yj g'hgrf .y kj qw'yj g'pggf "hqt 'gs wcrk kpi 'hkp*u+0"
K'cp'cngt'pcv'g'o cpwheewt'gt'ku'ugr'evgf .cp{ 'cf f kkpnci'o cvgtkn'equv'cpf "rdqt'v'q'kpuvni'
cf f kkpnci'okpu'uj cml'dg'lpewt'gf "d{ 'y g'eqpt'cevqt0'Eqpt'cevqt'tgur qpukdg'hqt'gpuwtkpi "
cngt'pcv'g'dt'cpf "eqo r cvdkrk{ 'kp'vgo u'qh'cxckrdk{ .r j { ukecni'ko gpukpu.'y gli j v."
grget'ecni'tgs wtkgo gpw.'gve0

50 "Qwf qqt'wpl'uj cml'j cxg'c'uqwpf 'tcvpi 'pq'j ki j gt 'y ep'84'fD*C+'lpf kxkf wcm{ "qt'84'fD*C+ "
y kppgf 0"Wplku'uj cml'j cxg'c'uqwpf 'tcvpi 'pq'j ki j gt 'y ep'73'fD*C+'lpf kxkf wcm{ "qt'76"
fD*C+'y kppgf 'y j kg'lp'pki j v'o qf g'qr gtcvqp0K'cp'cngt'pcv'g'o cpwheewt'gt'ku'ugr'evgf ."
cp{ 'cf f kkpnci'o cvgtkn'equv'cpf "rdqt'v'q'o ggvr'wdrkuj gf "uqwpf 'hgxnu'uj cml'dg'lpewt'gf "
d{ 'y g'eqpt'cevqt0

60 Tghtki gtcpv'kpgu'htqo 'y g'qwf qqt'wpl'v'q'yj g'lpf qqt'wplku'uj cml'dg'kpuwrv'gf "lp"
ceeqtf cpeg'y kj 'y g'kpuvncv'kp'o cpwcr0

70 Vj g'qwf qqt'wpl'uj cml'j cxg'v'j g'ecr cdkrk{ 'qh'kpuvncv'kpi 'y g'o ckp'tghtki gtcpv'r kr kpi "
y tqw j 'y g'dqwqo "qh'yj g'wpl0

80 Vj g'qwf qqt'wpl'uj cml'j cxg'cp'ceewo wrv'qt'y kj 'tghtki gtcpv'rgxgn'ugpuqtu'cpf "eqptqnu0

90 Vj g'qwf qqt'wpl'uj cml'j cxg'c'j ki j 'r tguuwt'g'uchgv' 'uy kej . "qxtg/ewtt'gpvr' tqv'evqpp."
etc'pncug'j gcvgt'cpf "FE"dwu'r tqv'evqpp0

: 0 XTH'u{ ugo 'uj cml'o ggvr' gthqto cpeg'tgs wtkgo gpw'r gt 'uej gf wrg'cpf "dg'y kj kp'r kr kpi "
rko kcvkpu'(' 'ceegr vdr'g'co dl'gpv'go r gtcw'g'tcpi gu'cu'f guetkdgf 'kp'tgur gev'xg"
o cpwheewt'gtuor' wdrkuj gf "r tqf we'vec'v'ni u0"P qp/r wdrkuj gf "r tqf we'vec'rdk'kku'qt"
r gthqto cpeg'f'cw'ctg'pqv'ceegr vdr'g0

: 0 Vj g'qwf qqt'wpl'uj cml'dg'ecr cdr'g'qh'i wtc'p'v'ggf "qr gtcvqp'lp'j gcv'pi "o qf g'f'qy p'v'q/35°H"
co dl'gpv'go r gtcw'g'g'cpf "eqq'kpi "o qf g'vr'v'q'32; °H'y kj qw'cf f kkpnci'ngut'ev'kpu'qp"
rkg'hpi vj '('xgt'v'ecni'ugr'ctcvqp'dg'f'qpf 'y qug'r wdrkuj gf 'kp'tgur gev'xg'r tqf we'vec'v'ni u0"
O qf gnu'y kj "ecr cek{ 'f'cw'ht'gs wtkgf "vgo r gtcw'g'tcpi g'r wdrkuj gf "cu'ohqt'tghgt'p'peg"
qp'f'ö'ctg'pqv'eqp'kf'gt'gf "ecr cdr'g'qh'i wtc'p'v'ggf "qr gtcvqp'cpf "ctg'pqv'ceegr vdr'g0K'cp'
cngt'pcv'g'o cpwheewt'gt'ku'ugr'evgf .cp{ 'cf f kkpnci'o cvgtkn'equv'cpf "rdqt'v'q'o ggvr'
co dl'gpv'qr gtcv'pi 'tcpi g'cpf 'r gthqto cpeg'uj cml'dg'lpewt'gf "d{ 'y g'eqpt'cevqt0

320 Vj g'qwf qqt'wpl'uj cml'j cxg'c'j ki j 'ghhkgpe { 'qkl'ugr ctevt' r nu'cf f kklpcn'iqi le'eqvtqnu'
vq'gpuwtg'cf gs wcv'qkixqno g'lp'vj g'eqo r tguqt'ku'o clpvcpgf 0Qknt'gwt'p'ugs wgegu'
o wu'dg'gpcdrf'qpn' f wtkpi 'gzvpgf gf' r gkqf u'qh'tgf wegf 'tghki gtcpv'hny 'v'gpuwtg'pq'
f kutw vqp'v'eqttgevt'ghki gtcpv'hny 'v'lpf kxf wcn' qpgu'f wtkpi 'r gcn'icf u'U{ ugo u'
y j lej 'o ki j v'gpi ci g'qknt'gwt'p'ugs wpeg'dcugf'qp'j qwtu'qh'qr gtcvqp'tkum'qknt'gwt'p'
f wtkpi 'lpqr r qt wpg'r gkqf u'ctg'pq'cmny gf 0'U{ ugo u'y j lej 'tgn' 'qp'ugpuqtu'*y j lej 'o c { '
hcn'v'gpi ci g'qknt'gwt'p'ugs wpeg'ctg'pq'cmny gf 0

330 Wpk'o wu'f ghtqu'cm'ektewku'uko wncpgqwan' 'kp'qtf gt'v'tguwo g'hwn'j gcvpi 'o qtg's wkmf "
f wtkpi 'gzvgo g'hny 'co dkgpv'go r gtcwtgu'dgny '45H0'Rct vcn'f ghtqu.'cnu'npqy p'cu'
j qv'i cu'f ghtqu'y j lej 'cmny u'tgf wegf 'j gcvpi 'qwr w'f wtkpi 'f ghtqu.'ku'r gto kuukng'qpn' "
y j gp'co dkgpv'go r gtcwtg'ku'cdqxg'45H0

340 Vj g'qwf qqt'wpl'uj cml'dg'r tqxkf gf 'y kj 'c'o cpwcewtgt'uw r rkgf '42'i cwi g'j qv'f kr r gf "
i cxcpk' gf 'upqy 'lj ckn' wctf 0Vj g'upqy lj ckn' wctf 'r tqvew'vj g'qwf qqt'eqknt'w'cegu'
htqo 'j ckn' co ci g'cpf 'upqy 'dwn' /w 'lp'ugxgtg'enko cvgu0

350 XTH'htwt/ngi i gf 'qwf qqt'wpl'o qwpkpi 'u{ ugo u'uj cml'dg'r tqxkf gf 'd { 'o cpwcewtgt0"
Ucpf 'uj cml'dg'o cf g'htqo '9'i cwi g'r r'v'uggn'y kj 'vj gto cml'hwugf 'r qn' gwt' r qy f gt'eqcv'
hpkuj 'vj cv'o ggu'CUVO 'F 5673/28'ucpf ctf u'U'ucpf u'uj cml'dg'r tqxkf gf 'y kj 'i cxcpk' gf "
o qwpkpi 'j ctf y ctg'cpf 'o ggu'cml'UEG'9'qxgt wtkpi 'uchgv' 'tgs wktgo gp0

D0 Wpk'Ecdlpgv<

- 30 Vj g'eculpi *u+uj cml'dg'hdtkecv'f 'qh'i cxcpk' gf 'uvgn'dqpf gk' gf 'cpf 'hpkuj gf 0"
- 40 Vj g'qwf qqt'wpl'uj cml'dg'v'ugv'f 'lp'eqo r r'cpeg'y kj 'KQ; 499'uwej 'vj cv'pq'wpwucn't wu'
uj cml'f gxn'r 'chgt'; 82'j qwtu'qh'ucn'ur tc { 'v'gukpi 0
- 50 Rcpnu'qp'vj g'qwf qqt'wpl'uj cml'dg'uetcevj 'htgg'cv'u{ ugo 'u'ctwr 0K'c'uetcevj 'qeewtu'vj g'
ucn'ur tc { 'r tqvew'qp'ku'eqo r tqo kuf 'cpf 'vj g'r cpn'uj qwf 'dg'tgr r'egf 'ko o gf kcvn' 0

E0 Hcp<

- 30 Gcej 'qwf qqt'wpl'o qf wrg'uj cml'dg'hwtpkuj gf 'y kj 'f k'gevf t'kxg.'xctkcdng'ur ggf 'r tqr gmg'
v' r g'hcp *u+qpn' 0'Hcpu'uj cml'dg'hcevt { 'ugv'ht'qr gtcvqp'cv'2'kp0Y I 'gzvgtpcn'ucv'le'
r tguwtg.'dw'ecr cdr'q'hpqto cn'qr gtcvqp'y kj 'c'o czko wo 'qh'2046'kp0Y I 'gzvgtpcn'
ucv'le' r tguwtg'xlc'f kr uy kej 0
- 40 Cml'hcp'o qv'qtu'uj cml'j cxg'lpj gtpv'r tqvew'qp.'j cxg'r gto cp'gpn' 'hwdtkecv'f 'dgctkpi u.'cpf "
dg'eqo r r'vgn' 'xctkcdng'ur ggf 0
- 50 Cml'hcpu'uj cml'dg'r tqxkf gf 'y kj 'c'tclugf 'i wctf 'v'q'r tgxgp'v'eqpcev'y kj 'o qxkpi 'r ctu0

F0 Tghki gtcv'cpf 'Tghki gtcv'Rkr kpi

- 30 T632C'tghki gtcv'uj cml'dg'tgs wktgf 'hqt'u{ ugo u0

- 40 Rqn{ qrgvgt *RQG+qkñ y kf gn' cxcldrg'cpf "wugf "lp"eqpxgpvkpcn'f qo guke"u' ugo uò
uj cmi'dg'tgs wktgf 0"Rtkqt "v"dkf f lpi ."o cpwxcwgtu'wulpi "cngtpevg"qkñ'v' r gu'uj cmi'wdo kv'
o cvtkenluchgv' "f cv'uj ggu" *O UF U+cpf "eqo r ctluqp"qh'j { i tqueqr le'r tqr gt vku'hqt "
cngtpevg"qkñ'y kj "rkv'qh'rqecrluwr r rgtu'uxenlpi "cngtpevg"qkñ'hqt "cr r tqxcn'cv'rgcu'vy q"
y ggu'r tkqt "v"dkf f lpi 0
- 50 Tghtki gtcpv'r kr lpi "uj cmi'dg'r j qur j qtwa'f gqzkl k gf "eqr r gt *eqr r gt'cpf "eqr r gt'cmq { "
ugco ngu'r kr gu'qh'uwhelgpv'tcf krl'y lempgu'cu'f ghkpgf "d { 'y g'XTH'gs wkr o gpv'
o cpwxcwgt'cpf "kpuvcmgf "lp"ceeqtf cpeg'y kj "o cpwxcwgt'tgeqo o gpf cvkqpu0
- 60 Cmi'tghtki gtcpv'r kr lpi "o wuv'dg'kpuwrcvgf 'y kj " ò'emugf "egm'EHE/htgg'hqco "kpuwrcvqp"
y kj "hco g/Urtgcf "kpf gz'qh'ngu'y cp"47"cpf "c"uo qng/f gxxgr o gpv'kpf gz'qh'ngu'y cp"72"
cu'vgugf "d { 'CUVO "G": 6"cpf "ECP "I"WNE "U/3240"T"xcmg"qh'kpuwrcvqp"o wuv'dg"cv'rgcu'50
- 70 Tghtki gtcpv'kpg'uk lpi "uj cmi'dg'lp"ceeqtf cpeg'y kj "o cpwxcwgt'tur gekkcvkqpu0"

G0 Eqkx<

- 30 Vj g'qwf qqt'j gcv'gzej cpi gt'uj cmi'dg'qh' lpe"eqcvgf "cno kpo "eqputwekqp'y kj "
wtdwrcvpi "hrc'wdg'eqputwekqp0"Vj g'eqkñhku'uj cmi'j cxg'c'hcevt { "cr r rkgf "eqttqkqp"
tgulncpv'hkuj 0"Wpeqcvgf "cno kpo "eqkñhku'ctg'pqv'cmqy gf 0
- 40 Vj g'eqkñ'uj cmi'dg'r tqvevgf 'y kj "cp'kpgi tcn'o gcrñi wctf 0
- 50 Tghtki gtcpv'hqy 'htqo "y g'qwf qqt'wpl'uj cmi'dg'eqptqmgf "d { "o gcpu'qh'cp'kpxgtvt'f tkxgp"
eqo r tguuqt0

H0 Eqo r tguuqt<

- 30 Gcej "qwf qqt'wpl'o qf wrg'uj cmi'dg'gs wkr r gf 'y kj "qpn' "kpxgtvt'f tkxgp'uetqm'j gto gvle"
eqo r tguuqt0"P qp'kpxgtvt/f tkxgp'eqo r tguuqtu.'y j lej "o c { 'ecwug'kptwuj "ewtgpv'
*f go cpf "ej cti gu+cpf "tgs wktg'rcti gt "i gpgcvqtu'hqt "vgo r qtct { "r qy gt'uj cmi'pqv'dg"
cmqy gf 0
- 40 Etcprncug'j gcv'uj cmi'dg'r tqxkf gf "xlc'kpf wekqp/v' r g'j gcvgt'wknk lpi "gf f { "ewtgpw'htqo "
o qvqt'y kpf lpi u0"Gpgti { /y cvkpi "ödgm{/dcpf ö'v' r g'etcprncug'j gcvgtu'ctg'pqv'cmqy gf 0
- 50 Eqo r tguuqt'uj cmi'j cxg'cp'kpxgtvt"v"o qf wrcv'ecr cek{ 0"Vj g'ecr cek' "hqt"geej "
eqo r tguuqt'uj cmi'dg'xctkcdrg'y kj "c"o kpo wo "wtpf qy p'pqv'i tgevt'y cp"42' 0
- 60 Vj g'eqo r tguuqt'uj cmi'dg'gs wkr r gf 'y kj "cp'kpgtpev'j gto cni'qxgtmcf 0
- 70 Hkgrf /kpuvcmgf "qkñ'gs wcrk' cvkqp'kpgu'dgy ggp"o qf wrgu'ctg'pqv'cmqy gf 0"Rtkqt "v"dkf f lpi . "
o cpwxcwgtu'tgs wkt lpi "gs wcrk' cvkqp"o wuv'wdo kv'qkñ'kpg'uk lpi "ecrwcrcvqpu'ur gekkcv"v"
geej "u' ugo "cpf "o qf wrg'r mego gpv'hqt'y ku'r tqlgew0

I 0 Eqptqnu<

30 Vj g'wpl'uj cml'dg'cp'k'v'gi tcn'r ct'v'qh'y'j g'u'f u'go "('eqpvtqnl'pgy qtnif guetkdgf 'lp'Retv'7"
*Eqpvtqnu+cpf 'tgcev'v'j' g'v'kpi leqqikpi 'f go cpf 'cu'eqo o wplecv'gf 'ht'qo 'eqppgevgf "
kpf qqt 'g'eqpvtqnl'ektewk'0'T'gs vkt gf 'h'grf /kpuvcmgf 'eqpvtqnl'xqnci g'v'cpv'hto gtu'cpf lqt"
uki pcn'dqqvgtu'uj cml'dg'r tqxkf gf 'd' { 'y' g'o cpw'zewt'gt'0

40 Vj g'qwf qqt 'wpl'uj cml'j cxg'y'j g'ecr cdk'k'v' 'qh'6'rgxgm'qh'f go cpf "eqpvtqnl'ht'gcej "
t'g'ht'ki g'v'cpv'u'f u'go "dcugf "qp"gzv'gtpcn'l'k'p' w'0

J 0 G'gevt'lecn'<

30 Vj g'qwf qqt 'wpl'uj cml'dg'42: 452'xqnu.'5/r'j' cug.'82'j' g'v' { 'qt'682'xqnu."
5/r'j' cug.'82'j' g'v' { 'r' g't'gs w'k' o g'p'v'uej gf w'g'0

40 Vj g'qwf qqt 'wpl'uj cml'dg'eqpvtqmgf 'd' { 'k'v'gi tcn'r'o letqr tqegu'qtu'0

50 Vj g'eqpvtqnl'ektewk'dgy ggp'y'j g'k'p'f qqt 'wpl'uj cml'dg'46XFE"
eqo r'rgv'gf 'w'k'pi 'c'4/eqpf v'ev'qt. 'y' k'v'gf 'r' ckt 'uj k'grf gf 'ecd'ng'v'q' r' tqxkf g'v'q'v'cn'l'k'v'gi t'cv'k'p'qh'
y' g'u'f u'go 0

40'*****Y CNN'O QWP VGF 'K'F QQT'WP KV

C0 I g'p'gt'c'k'<

30 Vj g'y' cm'o q'w'p'v'gf 'k'p'f qqt 'wpl'uj cml'dg'h'cev'qt { "cu'go d'ngf . 'y' k'gf 'cpf 't'w'p'v'g'v'gf 0"
Eqp'v'k'p'gf 'y' k'j' k'p' 'y' g'w'p'k'uj cml'dg'cml'h'cev'qt { 'y' k'k'pi . 'r' k' k'pi . "g'gevt'q'p'le'o qf w'v'k'pi 'h'p'gct"
g'z'r'cp'v'k'p'f'g'x'k'eg. "eqpvtqnl'ektewk'd'q'ctf 'cpf 'h'cp'o q'v'qt'0"Vj g'w'p'k'uj cml'j cxg'c'ug'rh/
f'k'ci p'q'v'le'h'w'p'v'k'p'. "5/o k'p'w'g'v'k'o g'f'g'rc { 'o' g'ej'c'p'k'uo . "cp'c'w'q'v'g'u'c't'v'h'w'p'v'k'p'. "cpf 'c'v'g'v'
t'w'p'uy' k'ej' 0"K'p'f qqt 'wpl'uj cml'dg'ej' cti gf 'y' k'j' { f'f'c'v'gf 'c'k' "d'gh'qt'g"
uj' k' o g'p'v'ht'qo 'y' g'h'cev'qt { 0

D0 W'p'k'Ecd'l'p'g'v'<

30 Cml'ecuk'pi u.'t'gi c't'f'ng'uu'qh'o qf g'v'ht'k' g.'uj cml'j cxg'y'j g'uc'o g'y' j' k'g'h'k'p'uj

40 O w'k'f'k'g'v'k'p'v'cn'l'f' t'c'k'p' 'cpf 't'g'ht'ki g'v'cp'v'r' k' k'pi "q'ht'k'pi 'h'q'w' "6+f'k'g'v'k'p'u'h'qt' "t'g'ht'ki g'v'cp'v'
r' k' k'pi 'cpf 'y' q' "4+f'k'g'v'k'p'u'h'qt' "f' t'c'k'p'k'pi "ct'g't'gs v'kt'gf 0

50 Vj g't'g'uj cml'dg'c'ug'r'c't'c'v'g'd'c'cn'l'r' r'v'g'y' j' k'ej' "ug'ewt'gu'y'j g'w'p'k'h'k't'o n' { 'v' 'y' g'y' cm'0

E0 H'c'p'<

30 Vj g'k'p'f qqt 'h'cp'uj cml'dg'uc'v'k'c'm' { 'cpf 'f' { p'co'k'c'm' { 'd'c'r'p'egf 'v'q't'w'p'q'p'c'v'k'pi'ng'o'q'v'qt"
y' k'j' 'r' g't'o'c'p'g'p'v' { 'h'w'd't'k'c'v'gf "d'g'ct'k'pi u'0

40 C'o'c'p'v'cn'l'c'f'lw'v'c'd'ng'i' w'k'f'g'x'c'p'g'uj cml'dg'r' tqxkf gf 'y' k'j' 'y' g'c'd'k'k'v' { 'v'q'ej'c'pi'g'y'j'g'c'k'h'q'y' "
ht'qo 'uk'f'g'v'q'uk'f'g' "v'g'h'v'q' 't'k'j' v'0

50 C'o qvqt k gf 'ck'uy ggr 'nqwxgt'uj cm'r tqxkf g'cp'cwqo cvk'ej cpi g'lp'ckhny 'd{ 'f'kt gevpi "
y j g'ck'wr'cpf 'f'qy p'v'q'r tqxkf g'wpkqto 'ck'f'kwtkdwkqp0

F0 Hkngt<

30 Tgwtp'ck'uj cm'dg'hkngt'gf 'd{ 'o' gcpu'qh'cp'gculn' 'tgo qxcdrg.'y' cuj cdrg'hkngt0

G0 Eqkx<

30 Dcuku'qh'f'guki p'lpf'qqt'wpku'lpemf'g'hcevq{ /lpucmgf 'NGX IGGX0' Cngt'pcvk'g'dt'cpf' u'
y j lej 'tgs'vkt'g'hkngf /lpucmgf . 'ceeguqt { 'NGX'qt'GGX'nku'ctg'r' gto' kuukdr'qpn' 'y' kj "
y' tkwgp'Gpi' kpggt'cpf' 'Cte'j' kgev'cr' r' tqxcn'ht' 'y' g' hqecv'qp'qh'nku'dgkpi' 'u'wdo' kwgf' 'y' q "
y' ggmu'r' tkqt' 'v' d'k' 'f' cvg0'GGX'nku'o' qwpvgf' 'lp'ecx'kkgu'lpukf' g' h'k'g' t'cv'gf' 'lp'v'gt'kqt' 'y' cmu'
uj' cm'dg'o' qwpvgf' 'lpukf' g' 'y' tgg'j' qwt' h'k'g' t'cv'gf' 'g'p'em'qwt'gu' 'y' kj' 'ceegu'r' cp'gn'u'w'r' r' k'gf' 'd' { "
y' g' o' cpw'cewt'gt0'G'p'em'qwt'g'v' r' g' 'cp'f' 'r' n'ego' gpv't'gs'vkt'g'r' tkqt' 'cr' r' tqxcn0

40 Vj' g'lpf'qqt'eqk'uj' cm'dg'qh'p'qphgtt'qwu'eqp'ut'we'v'k'p' 'y' kj' 'uo' q'q'v' 'r' n'v'g' h'p'u'q'p'eq'r' r' gt "
wd'k'pi' 0'Vj' g'wd'k'pi' 'uj' cm'j' cx'g' k'p'p'gt' i' t'q'q'x'g'u'ht' 'j' k' j' "gh'k'k'p'e{ 'j' g'cv'g'z'ej' cpi' g0' 'C'm'
wd'g' l'q'k'p'u'uj' cm'dg' d'tc' | gf' 'y' kj' 'r' j' qu'eq'r' r' gt' 'qt' 'u'k'x'gt' 'cm'j' { 0

50 Vj' g'eqk'uj' cm'dg'r' t'gu'wt'g'v'g'v'gf' 'cv'v'j' g'hcevq{ 0

H0 Grgvteck<

30 Vj' g'wpk'grg'vteck'n'r' qy' gt'uj' cm'dg'42: 452'x'qnu.'3/r'j' cug.'82'j' gt'v' 0

40 Vj' g'u'f'v'go' 'uj' cm'dg'ecr'cdng'qh'uc'v'k'v'cevq{ 'qr' g'v'k'p' 'y' kj' k'p'x'q'nci' g' h'ko' ku'qh'3: 9/44: "
x'qnu'*42: X'182J | +'qt'429/475'x'qnu'*452X'182J | +

I 0 Eqpvtqk<

30 Vj' g'wpk'uj' cm'lpemf'g'cp'K' 't'geg'k'x'gt' h'qt' 'y' k'g'g'u' 't'go' q'v'g'eqpvt'q'n'hz'k'k'k'v'f

40 K'p'f'qqt'wpk'uj' cm'leqo' r' gpuc'v'g' h'qt' 'y' g'j' k' j' g't'v'go' r' g't'c'w't'g' 'u'g'p'ug'f' 'd' { 'y' g't'g'w't'p' 'ck' 'u'g'p'u'qt' "
eqo' r' ct'gf' 'v'q' 'y' g'v'go' r' g't'c'w't'g' 'c'v'v'g'x'g'n'q'h'v'j' g'q'ee'w' cp'v'j' j' gp' 'lp' 'J' 'G' 'C'V' 'o' qf' g0' 'F' 'k'uc'd'k'p'i' "
qh'eqo' r' gpuc'v'k'p' 'uj' cm'dg'r' qu'k'd'ng' h'qt' 'lp'f' k'x'k'f' v'cn'lp'ku'v'q' 'cee'qo' o' qf' cv'g' 'lp'uc'p'egu' 'y' j' gp' "
eqo' r' gpuc'v'k'p' 'ku'p'q'v't'gs'vkt'gf' 0

50 Eqpvt'q'n'd'qct'f' 'uj' cm'lpemf'g'eqp'v'ce'w' h'qt' 'eqpvt'q'n'q'h'g'z'v'gt'p'cn'j' g'cv'v'q'w't'eg0' 'G'z'v'gt'p'cn'j' g'cv' "
o' c' { 'dg' 'gp'gti' k' gf' 'cu' 'u'ge'q'p'f' 'u'ci' g' 'y' kj' "30 'A' 'H' 'o' ; 'O' 'A' 'c'f' l'w'w'cd'ng' 'f' g'cf' d'c'p'f' 'H' 't'qo' 'u'g'v' "
r' q'k'p'v0

60 K'p'f'qqt'wpk'uj' cm'lpemf'g'p'q' 'h'gu'v'j' cp' 'h'q'w' '*6+'f' k' k'cn'l'p'r' w'u'ecr'cdng'qh'd'g'k'p'i' 'w'ug'f' 'h'qt' "
e'w'v'qo' k' c'd'ng' 'eqpvt'q'n'v't'c'v'gi' k'gu0

70 K'p'f'qqt'wpk'uj' cm'lpemf'g'p'q' 'h'gu'v'j' cp' 'y' t'gg' '*5+'f' k' k'cn'l'q'w'r' w'u'ecr'cdng'qh'd'g'k'p'i' 'w'ug'f' 'h'qt' "
e'w'v'qo' k' c'd'ng' 'eqpvt'q'n'v't'c'v'gi' k'gu0

405 "6/Y C['EGK'PI /TGEUGUF 'ECUUGVVG'Y KJ 'I T'KNG'K'F QQT'WP K'*****

A. I gpgtc<

30 Vj g'egk'pi /tgeguugf 'kpf qqt'w'pk'uj cm'dg'h'cevt { 'cuugo drgf . 'y k'gf 'cpf 't'wp'v'gugf 0"
Eqpvc'k'p'f 'y k'j k'p'v'j g'w'pk'uj cm'dg'cm'h'cevt { 'y k'k'pi . 'r k'k'pi . 'g'g'ext'q'ple'o qf w'w'k'pi "
n'k'p'g'ct'g'z'r'c'p'uk'q'p'f'g'x'k'g' . 'eq'p't'q'n'ek't'ew'k'd'q'ct'f' "c'p'f' "h'c'p'o' q'v'qt'0"V'j g'w'pk'uj cm'j' c'x'g'c' "u'g'h'
f'k'c'i'p'q'u'k'e'h'w'p'e'k'q'p' . '5/o' k'p'w'g'v'k'o' g'f'g'r'c' { 'o' g'ej'c'p'k'u'o' . 'c'p' "c'w'w'q' "t'g'u'c't'v'h'w'p'e'k'q'p' . 'c'p' "
g'o' g't'i'g'p'e' { 'q'r'g't'c'v'k'q'p'h'w'p'e'k'q'p' . 'c' "g'u'v't'w'p' "u'y'k'ej' . "c'p'f' "v'j'g' "c'd'k'k'v' { "v'q' "c'f' "l'w'u'v'c'k't'h'q'y' "
r'c'w'g't'p'u'h'q't' "f'k'h'g't'g'p'v'eg'k'k'pi' "j'g'k'i'j' "u'0" "k'p'f'q'q't' "w'p'k'v'c'p'f' "t'g'h't'k'i'g't'c'p'v'r'k'r'g'u'v'uj'cm'd'g' "e'j'c't'i'g'f' "
y'k'j' "f'g'j' { "f't'c'v'g'f' "c'k't' "d'g'h'q't'g' "u'j'k'r'o'g'p'v'h'q'o' "v'j'g' "h'c'v'q't' { 0V'j'g'w'pk'uj'cm'd'g' "u'w'k'c'd'r'g' "h'q't' "w'ug' "
k'p'r' "r'g'p'w'o' "u'k'p' "c'ee'q't'f' "c'p'eg' "y'k'j' "W'N'3' ; ; 7' "g'f' "60

D0 W'pk'Ecd'k'p'g'v<

30 Vj g'ecd'k'p'g'v'r'c'p'g'n'uj'cm'j'c'x'g'r't'q'x'k'k'q'p'u'h'q't' "c' "h'g'r'f' "k'p'u'c'n'g'f' "h'k'v'g't'g'f' "q'w'u'k'f'g' "c'k't' "k'p'v'c'n'g'0
40 D't'c'p'ej' "f'w'w'k'pi' "uj'cm'd'g' "c'm'q'y'g'f' "h't'q'o' "ecd'k'p'g'v0
50 H'q'w't'y'c' { 'i' "t'k'ng' "uj'cm'd'g' "h'z'g'f' "v'q' "d'q'w'q'o' "q'h' "ecd'k'p'g'v' "c'm'q'y'k'pi' "y'q' . "v'j' "t'g'g' "q't' "h'q'w't'y'c' { "d'm'q'y' 0
60 Vj g' "i' "t'k'ng' "x'c'p'g' "c'p'i' "n'g'u' "uj'cm'd'g' "k'p'f' "k'k'f' "w'c'm' { "c'f' "l'w'u'v'c'd'r'g' "h't'q'o' "c' "y'k'g'f' "t'g'o' "q'v'g' "eq'p't'q'm'g't' "v'q' "
e'w'u'q'o'k' "g' "v'j'g' "c'k't'h'q'y' "r'c'w'g't'p' "h'q't' "v'j'g' "eq'p'f' "k'k'q'p'g'f' "u'r'c'eg'

E0 H'c'p'<

30 Vj g'k'p'f'q'q't' "h'c'p' "uj'cm'd'g' "c'p' "cuugo drgf 'y'k'j' "c' "u'w'v'k'ec'm' { "c'p'f' "f' { "p'c'o' "k'ec'm' { "d'c'r'c'p'eg'f' "w'w'd'q' "
h'c'p' "f' "k'g'ev'f' "t'k'x'g'p' "d' { "c' "u'k'pi' "n'g' "o' "q'v'q't' "y'k'j' "r' "g't'o' "c'p'g'p'w' { "n'w'd't'k'ec'v'g'f' "d'g'ct'k'pi' "u'0
40 Vj g'k'p'f'q'q't' "w'p'k'v'uj'cm'j'k'p'en'f'g' "c'p' "C'W'W'Q' "h'c'p' "u'g'w'k'pi' "e'c'r'c'd'r'g' "q'h' "o' "c'z'k'o' "k'k'pi' "g'p'g't'i' { "
g'h'h'k'g'p'e' { "d' { "c'f' "l'w'u'v'k'pi' "v'j'g' "h'c'p' "u'r' "g'g'f' "d'c'ug'f' "q'p' "v'j'g' "f' "k'h'g't'g'p'eg' "d'g'w'y' "g'g'p' "eq'p't'q'm'g't' "u'g'v'
r'q'k'p'v'c'p'f' "u'r'c'eg' "v'g'o' "r'g't'c'w't'g'0"V'j'g'k'p'f'q'q't' "h'c'p' "uj'cm'd'g' "e'c'r'c'd'r'g' "q'h' "h'x'g' "7+ "u'r' "g'g'f' "u'g'w'k'pi' "u' "
N'q'y' . "O'k'f'3' . "O'k'f'4' . "J'k'i'j' "c'p'f' "C'w'q'0
50 Vj g'k'p'f'q'q't' "w'p'k'v'uj'cm'j'c'x'g' "c'p' "c'f' "l'w'u'v'c'd'r'g' "c'k't' "q'w'w'g'v'u' { "u'g'o' "q'h'g't'k'pi' "6/y'c' { "c'k't'h'q'y' . "5/y'c' { "
c'k't'h'q'y' . "q't' "4/y'c' { "c'k't'h'q'y' 0
60 Vj g'k'p'f'q'q't' "w'p'k'v'uj'cm'j'k'p' "i' "q'i' "k'e' "o' "w'u'v'k'p'en'f'g' "o' "w'w'k'r' "n'g' "u'g'w'k'pi' "v'j'c'v' "e'c'p' "d'g' "e'j'c'p'i'g'f' "v'q' "r' "t'q'x'k'f'g' "
q'r' "v'k'o' "w'o' "c'k't'h'q'y' "d'c'ug'f' "q'p' "e'g'k'k'pi' "j'g'k'i'j' "v'c'p'f' "p'w'o' "d'g't' "q'h' "q'w'w'g'v'u' "w'ug'f' 0
70 Vj g'k'p'f'q'q't' "w'p'k'v'uj'cm'j'c'x'g' "7' "h'z'g'f' "r' "q'u'k'k'q'p'u' "c'p'f' "c' "u'y'k'pi' "h'g'c'w't'g' "v'j'c'v' "uj'cm'd'g' "
e'c'r'c'd'r'g' "q'h' "c'w'q'o' "c'v'k'ec'm' { "u'y'k'pi'k'pi' "v'j'g' "x'c'p'g'u' "w'r' "c'p'f' "f' "q'y'p' "h'q't' "w'p'k'k'q't'o' "c'k't' "f' "k'u't'k'd'w'k'q'p'0
80 Vj g'x'c'p'g'u' "uj'cm'j'c'x'g' "c'p' "C'w'q' "Y'c'x'g' "u'g'r'g'v'c'd'r'g' "q'r' "v'k'q'p' "k'p' "v'j'g' "j' "g'c'v'k'pi' "o' "q'f' "g' "v'j'c'v' "uj'cm'j'
t'c'p'f'q'o' "n' { "e' { "e'g' "v'j'g' "x'c'p'g'u' "w'r' "c'p'f' "f' "q'y'p' "v'q' "g'x'g'p'n' { "j' "g'c'v' "v'j'g' "u'r'c'eg'0

90 I tkm'uj cmlpenmf g'c'hcevt { /kpuvcmgf "ök'uggö'ugpuqt. 'qt'gs wcn 'v'q' y qtnlkp'eqplwpevkp"
y kj 'kpf qqt 'wvk'eqvtqnl'ugs wpeg'v' r t'gxp'v'wppgeguuct { 'eqqrkpi 'qt'j' gcvkpi 'kp'
wpqeer k'g' 'ctgcu'qh'y' g' | qpg'y' kj qwf' getgcu'kpi 'eqo hqt'v'g'x'gn'0"Ugpuqt 'o' wuv'f' g'vev'
qeer cpe { "pqv'uko r n' "o' q'v'kp'+cpf 'h'ec'v'kp'qh'qeer cpw'd { 'o' gcuwtkpi 'uk' g' ("
vgo r gtcwt'g'qh'qdlgeu'y' kj kp'c'5; ø'f' g'vev'kpi 'f' kco' g'vgt '*dcugf' qp': 0 h'v'o' q'wp'v'kpi 'j' g'ki' j' v'
y' kj '3.: 78'qt'o' qt'g'o' gcuwtkpi 'r' q'kp'w0

F0 Hkngt<

30 Tgwtp'ck'uj cml'dg'Hkngt'gf 'd { 'o' gcpu'qh'c' 'h'pi /r'h'g'y' kuj c'dng'hkngt

G0 Eqk<

30 Vj g'kpf qqt 'eqk'uj cml'dg'qh'p'qphgtt'qwu'eqpuw'v'k'p'y' kj 'uo' q'q'y' 'r' n'v'g'h'ku'qp'eqr' r' g't'
w'v'kpi 0"Vj g'w'v'kpi 'uj' cml'j' c'x'g'k'p'p'gt' i' t'q'x'g'u'h'qt'j' ki j' 'g'h'h'el'g'pe { 'j' g'cv'g'zej' cpi' g'0"Cm'
w'v'g'l'q'k'p'u'uj' cml'dg'dtc | g'f' y' kj 'r' j' q'u'eqr' r' g't'qt' 'u'k'k'gt' 'cm'q { 0

40 Vj g'eqk'u'uj cml'dg'r' t'guuwt'g'v'g'v'g'f' 'cv'y' g'h'cevt { 0

50 Vj g'wvk'uj cml'dg'r' t'q'x'k'f' g'f' y' kj 'cp'k'p'v'gi' t'cn'eqpf' g'puc'v'g'h'k'v'o' g'ej' c'p'k'uo' 'y' c'v'y' kml'dg'c'dng'
v'q't'cl'ug'f' t'cl'p'y' c'v'gt' '55'k'p'ej' g'u'cd'q'x'g'y' g'eqpf' g'puc'v'g'r' c'p'0

H0 Grgvtekn<

30 Vj g'wvk'grg'vtekn'r' q'y' g't'uj' cml'dg'42: 1452'x'q'nu.'3/r'j' c'ug.'82'j' g't'v' 0

40 Vj g'u'f' u'vgo 'uj' cml'dg'ecr' c'dng'qh'uc'v'k'v'cevt { 'q'r' g't'c'v'k'p'y' kj kp'x'q'nci' g'h'ko' ku'qh'3: 9/44: "
x'q'nu'*42: X182J | +'qt'429/475'x'q'nu'*452X182J | +0

I 0 Eqvtqk<

30 K'p'f' qqt 'wvk'uj cml'eqo' r' g'puc'v'g'h'qt' 'y' g'j' ki j' g't'v'go' r' g't'c'w't'g' 'u'g'p'ug'f' 'd { 'y' g't'g'w't'p' 'c'k' 'u'g'p'u'qt' "
eqo' r' c't'g'f' 'v'q' 'y' g'v'go' r' g't'c'w't'g' 'c'v'g'x'g'n'qh'y' g'q'eer' c'p'v'y' j' g'p'k'p'J' GC'V' 'o' q'f' g'0'F' k'uc'd'r'kpi' "
qh'eqo' r' g'puc'v'k'p'uj' cml'dg'r' q'u'k'd'ng'h'qt' 'k'p'f' k'k'f' w'cn'w'p'ku'v'q' 'c'ee'q'o' o' q'f' c'v'g'k'p'uc'p'egu'y' j' g'p' "
eqo' r' g'puc'v'k'p' 'k'u'p'q'v't'g's' w'k'f' g'f' 0

40 Eqvtqnl'd'qctf' 'uj' cml'penmf' g'eq'p'v'cew'h'qt' 'eq'p't'qnl'qh'g'z'v'gt'p'cn'j' g'cv'lu'q'w'eg'0'G'z'v'gt'p'cn'j' g'cv' "
o' c { 'd'g'g'p'gti' k' g'f' 'cu' 'u'ge'q'p'f' 'u'ci' g'y' kj '30' Å'1'6'; 02'Å'1'c'f' l'w'w'c'd'ng'f' g'c'f' d'c'p'f' 'h'q'o' 'u'g'v' "
r' q'kp'w0

50 K'p'f' qqt 'wvk'uj cml'penmf' g'p'q' 'h'gu'v'y' c'p' 'h'q'w' '*6'+f' ki' k'cn'l'p'r' w'u'ecr' c'dng'qh'd'g'k'pi' 'w'ug'f' 'h'qt' "
e'w'u'q'o' k' c'dng'eq'p't'qnl'ut'c'v'gi' k'g'u0

60 K'p'f' qqt 'wvk'uj cml'penmf' g'p'q' 'h'gu'v'y' c'p' 'y' t'g'g' '*5'+f' ki' k'cn'l'q'w'r' w'u'ecr' c'dng'qh'd'g'k'pi' 'w'ug'f' 'h'qt' "
e'w'u'q'o' k' c'dng'eq'p't'qnl'ut'c'v'gi' k'g'u0

70 C'hcevt{ /kpucmgf 'f tclp'r cp'ugpuqt'uj cm'r tqxkf g'r tqvgevqp'ci ckpuv'f tclp'r cp'qxtghqy " d{ 'ugpukpi 'c'j ki j 'eqpf gpucv'rgxgnlp'vj g'f tclp'r cp'Uj qwf 'vj ku'qeew'vj g'eqvqnluj wu' f qy p'vj g'kpf qqt'wpl'dghqtg'cp'qxtghqy 'ecp'qeew'0'C'vj gto kvqt'gttqt'eqf g'y km'dg' r tqf wegf 'uj qwf 'vj g'ugpuqt'cevxcvg'kpf kcvpi 'c'hcwv'y j kej 'o wuv'dg'tguqrgf 'dghqtg' vj g'wpl'tg/uctw0

406 """"6/Y C['EGKNI /TGEUGUF 'ECUUGVVG'Y K/J 'I TRNG'HQT'4Z4'I TKF 'RF QQT'WP K'

A. I gpgtck<

30 Vj g'kpf qqt'wpl'uj cm'dg'c'hwt/y c{ 'ecuugw'uv'rg'kpf qqt'wpl'vj cv'tegeugu'kvq'vj g' egkpi 'y kj 'c'egkpi 'i tkng'0'Vj g'kpf qqt'wpl'uj cm'dg'hcevt{ 'cuugo dnf . 'y kfg 'cpf " twp'vguvf 0'Eqvckpgf 'y kj kp'vj g'wpl'uj cm'dg'cm'hcevt{ 'y kpi . 'r kpi . 'grgevtqple" o qf wcvpi 'hpgct'gzc'pukp'f gxleg . 'eqvqnl'ekew'dqctf 'cpf 'hcv'0'qvqt'0'Vj g'wpl' uj cm'j cxg'c'ugr'f kci pquke'hpevqp . '5/o kpwg'vko g'f grc{ 'o gej cpluo . 'cp'cwq'tguvctv' hpevqp . 'cp'go gti gpe{ 'qr gcvqp'hpevqp'cpf 'c'vuv'twp'uy kej 0'kpf qqt'wpl'cpf " tghki gtcv'r kr gu'uj cm'dg'ej cti gf 'y kj 'f gj { f cvgf 'ck'dghqtg'uj kr o gpv'htqo 'vj g' hcevt{ 0'Vj g'wpl'uj cm'dg'uvkcdrg'ht'wug'lp'r ngpwo u'lp'ceeqtfcpeg'y kj 'WN3; ; 7'gf " 60

D0 Wpl'Ecdkpgv<

30 Vj g'ecdkpgv'uj cm'dg'c'eqo r cev'44/9 B8ö'y kf g'z'44/9 B8ö'f ggr 'uq'k'y km'hk'y kj kp'c" ucvp'ctf '46ö'us wctg'uwr gpf gf 'egkpi 'i tkf 0

40 Vj g'ecdkpgv'r cpgr'uj cm'j cxg'r tqxkukpu'ht'c'hgrf 'kpucmgf 'hngt'gf 'qwu'f g'ck'kpcng0

50 Hwt/y c{ 'i tkng'uj cm'dg'hkz'gf 'vq'dqwqo 'qh'ecdkpgv'cm'qy kpi 'vy q . 'vj tgg'qt'hwt/y c{ 'dmqy 0

E0 Hcp<

30 Vj g'kpf qqt'hcv'uj cm'dg'cp'cuugo dnf 'y kj 'c'wtdq'hcv'f kgev'f tkxgp'd{ 'c'ukpi ng'o qvqt0

40 Vj g'kpf qqt'hcv'uj cm'dg'uvk'ecm{ 'cpf 'f { pco kcm{ 'dcm'pegf 'vq'twp'qp'c'o qvqt'y kj " r gto cpgpv' hwd'kcvgf 'dgctkpi u0

50 Vj g'kpf qqt'hcv'uj cm'eqpukv'qh'vj tgg''5+'ur ggf u . 'Nqy . 'O kf . 'cpf 'J ki j 0

60 Vj g'kpf qqt'wpl'uj cm'j cxg'cp'cf'lvkcdrg'ck'qwr'v'u{ ugo 'q'ht'kpi '6/y c{ 'ck'hqy . '5/y c{ " ck'hqy . 'qt'4/y c{ 'ck'hqy 0

70 Vj g'cwq'ck'uy kpi 'xcp'gu'uj cm'dg'ecr'cdrg'qh'cwqo cv'ecm{ 'uy kpi kpi 'wr'cpf 'f qy p'ht" wpl'htqo 'ck'f kvt'kdwkq0

F0 Hngt<

30 Tgwtp'ck'uj cm'dg'hngt'gf 'd{ 'o gcpu'qh'c'kpi /r'kg'y kuj cdrg'hngt0

G0 Eqkκ

- 30 Vj g'lpf qqt'eqkluj cml'dg'qh'pqphtqtqwu'eqputwekqp'y kj 'uo qqj 'r rvg'hkpu'qp'eqr r gt" wdkpi 0"Vj g'wdkpi 'uj cmlj cxg'kppgt 'i tqxgu'ht'j ki j "ghhekepe{ 'j gcv'gzej cpi g0"Cml' wdg'lqkpu'uj cml'dg'dtc| gf 'y kj 'r j qu/eqr r gt"qt'ukκgt'cmj{ 0
- 40 Vj g'eqku'uj cml'dg'r tguwtg'vgugf "cv'vj g'hcevqt { 0
- 50 Vj g'wpl'uj cml'dg'r tqxkf gf 'y kj 'cp'kpgi tcn'eqpf gpucvg'hk'o gej cpkuo 'y cv'y km'dg'cdrg" vq'tclug'f tclp'y cvgt '3; /5 l66'kpej gu'cdqyg'vj g'eqpf gpucvg'r cp0

HD Grgvteknκ

- 30 Vj g'wpl'k'grgvteln'r qy gt'uj cml'dg'42: 1452"xqnu."3/r j cug.'82'j gt v 0
- 40 Vj g'u{ ugo 'uj cml'dg'ecr cdrg'qh'uc'vukcevqt { 'qr gtcv'kqp'y kj kp'xqnci g'hko ku'qh'3: 9/44: " xqnu*42: X182J | +'qt'429/475"xqnu*452X182J | +0

I 0 Eqvtqnκ

- 30 Kpf qqt'wpl'uj cml'eqo r gpucvg'ht'vj g'j ki j gt'vgo r gtcwtg'ugpugf "d{ 'vj g'tgwtp'ck'ugpuqt" eqo r ctgf "v'vj g'vgo r gtcwtg'cv'rgxgn'qh'vj g'qeewr cpv'y j gp'lp'J GC V'o qf g0'F kucdtkpi " qh'eqo r gpucv'kqp'uj cml'dg'r quukdrg'ht'kpf kxf wcn'wplku'v'ceeqo o qf cvg'lpucpegu'y j gp" eqo r gpucv'kqp'ku'pqv'tgs vkt gf 0
- 40 Eqvtqn'dqctf 'uj cml'penmf g'eqpvcew'ht'eqvtqn'qh'gz vgtpcn'j gcv'uqwtg0'Gz vgtpcn'j gcv' o c { 'dg'gpgti k gf "cu'ugeqpf "uci g'y kj "30 ÅH'6"; 0ÅH'cf lwucdrg'f gcf dcpf "ht'qo 'ugv" r qkpv0
- 50 Kpf qqt'wpl'uj cml'penmf g'pq'rguu'vj cp'ht'wt *6+'f ki kcn'kpr wu'ecr cdrg'qh'dgkpi "wugf 'ht" ewuqo k cdrg'eqvtqn'utcvgi kgu0
- 60 Kpf qqt'wpl'uj cml'penmf g'pq'rguu'vj cp'vj tgg *5+'f ki kcn'qwr wu'ecr cdrg'qh'dgkpi "wugf 'ht" ewuqo k cdrg'eqvtqn'utcvgi kgu0
- 70 C'hcevqt { /lpucmgf "f tclp'r cp'ugpuqt'uj cml'r tqxkf g'r tqygev'kqp'ci ckpu'f tclp'r cp'qxgthry " d{ 'ugpukpi "c'j ki j "eqpf gpucvg'rgxgn'k'vj g'f tclp'r cp0Uj qwf "vj ku'qeew "vj g'eqvtqn'uj wu" f qy p'vj g'lpf qqt'wpl'dghqtg"cp'qxgthry "ecp'qeew0"C'vj gto kuqt'gttqt'eqf g'y km'dg" r tqf wegf "uj qwf "vj g'ugpuqt'cev'kcv'kpf kcv'kpi "c'hcvw'y j kej "o wu'dg'tguqrgf "dghqtg" vj g'wpl'v'tg/uctu0

407 ""EQPVTQN'QXGT'XKGY

- C0 Vj g'eqvtqn'u{ ugo 'uj cml'eqpuk'qh'c'hry "xqnci g'eqo o wplecv'kqp'pgy qtn'icpf "c'y gd/dcugf " kvgt'hceg0"Vj g'eqvtqn'u{ ugo 'uj cml' cvj gt'f cv'cpf "i ppgtcvg'y gd'r ci gu'ceeguukdrg'vj tqwi j "c" eqpxgp'kqpcn'y gd'dtqy ugt'qp'gcej "RE"eqppgevgf "v'vj g'pgy qtn0Qr gtcvqtu'uj cml'dg'cdrg'v'g'ghqto " cml'pqto cn'qr gtcvqt'hwpev'kpu'vj tqwi j "vj g'y gd'dtqy ugt'kvgt'hceg0

D0 Hwtpkij 'gpgti { "eqpugtxcvqp'hgcwtgu'wej 'cu'qr wo cn'uctv.'tgs wguv/dcugf 'hqi le.'cpf 'f go cpf "
rgxgn'cf lwavo gpv'qh'qxgtcmu{ ugo 'ecr cek{ 'cu'ur gekhgf 'kp'yj g'ugs wgepg0

E0 U{ ugo 'uj cm'dg'ecr cdng'qh'go cklf gpgtcvqp'hqt'tgo qvg'ccto 'cppwpekcvqp0

F0 Eqpvtqnu'uj cm'eqo o wplecvg'ugco nguun{ 'y kj 'yj g'Vqy p'y kf g'Gpgti { 'O cpci go gpv'P gvy qtn0'
Eqqtf kpcvg'y kj 'yj g'Vgo r gtcwtg'Eqpvtqneqpvtcevqt0

408 NNGEVTKECN'EJ CTCEVGTKUVKEU

C0 I gpgtcn<

80 Eqpvtqngt'r qy gt'cpf'eqo o wplecvqp'uj cm'dg'xlc'c'eqo o qp'pqp/r qrt'eqo o wplecvqp'
dwa'cpf 'uj cm'qr gtcvg'cv52XFE0

D0 Y ktkpi <

30 Eqpvtqnl'y ktkpi 'uj cm'dg'kpuvcngf 'kp'c'f cku{ 'ej clp'eqphki wtcvqp'htqo 'kpf qqt 'wpx'vq"
kpf qqt 'wpx'vq'yj g'DE'eqpvtqngt' "o clp'cpf 'uudu.'h'cr r rkecdng+'cpf 'v'yj g'qwf qqt 'wpx0"
Eqpvtqnl'y ktkpi 'v'tgo qvg'eqpvtqngtu'uj cm'dg'twp'htqo 'yj g'kpf qqt 'wpx'vgo kpcndmgen'vq"
yj g'eqpvtqngt'cuuqekcvgf 'y kj 'yj cv'wpx0

40 Eqpvtqnl'y ktkpi 'hqt'egpvtcrk gf 'eqpvtqngtu'uj cm'dg'kpuvcngf 'kp'c'f cku{ 'ej clp'eqphki wtcvqp"
htqo 'qwf qqt 'wpx'vq'qwf qqt 'wpx'vq'yj g'u{ ugo 'eqpvtqngtu' "egpvtcrk gf 'eqpvtqngtu"
cpf lqt'kpxi tcvgf 'y gd'dcugf 'kpvgtcvg+'v'yj g'r qy gt'uw r n{0

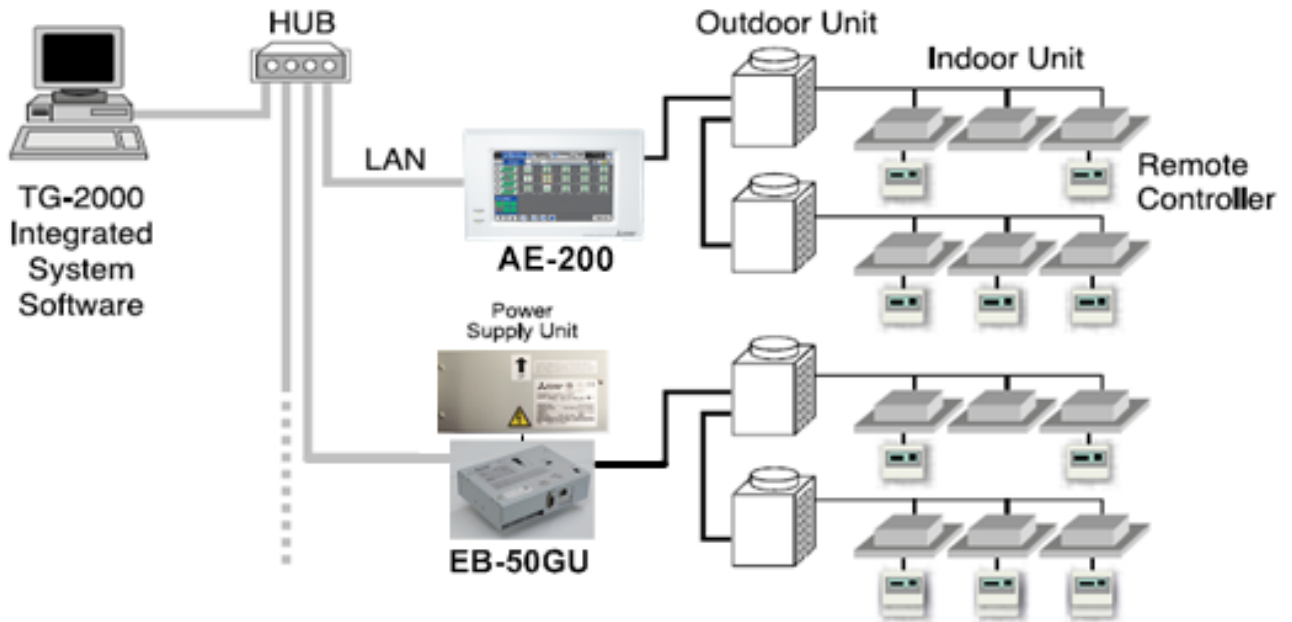
E0 Y ktkpi 'v'r g<

30 Y ktkpi 'uj cm'dg'4/eqpf wevt '*38'CY I +.'wy kvgf . 'utcpf gf . 'uj kgrf gf 'y kg'cu'f ghkpgf 'd{ "
yj g'Fkco qpf 'U{ ugo 'Dwkrf gt'qwr w0

40 P gvy qtnly ktkpi 'uj cm'dg'ECV/7'y kj 'TL/67'eqppgecvqp0"

409 EKV['O WNVKEQP VTQNU'P GUY QTM

30 Vj g'EKV['O WNVKEqpvtqnu'P gvy qtnly*EO EP +'eqpukwu'qh'tgo qvg'eqpvtqngtu."
egpvtcrk gf 'eqpvtqngtu.'cpf lqt'kpxi tcvgf 'y gd'dcugf 'kpvgtcvg'eqo o wplecvkpi 'qxgt'c"
j ki j /ur ggf 'eqo o wplecvqp'dwu0Vj g'EKV['O WNVKEqpvtqnu'P gvy qtnly cm'uw r qtv'
qr gtcvqp'o qpkqtkpi . 'uej gf wtkpi . 'qeewr cpe{ . 'gttqt'go cklf kwtkdwkwq.'r gtuqpcnl'y gd"
dtqy ugtu.'vgpcpv'dkmp . 'qprkpg'o clpvgpcpeg'uw r qtv.'cpf 'kpxi tcvqp'y kj 'Dwkrf kpi "
O cpci go gpv'U{ ugo u'*DO U+'wukpi 'gkj gt'NqpY qtmil 'qt'DCEpgil 'kpvgtcvgu0Vj g"
dngy 'hki wtg'kmwmtcvgu'c'uco r rg'EO EP 'U{ ugo 'Eqphki wtcvqp0



EO EP 'U{ uogo 'Eqpli wt cvkqp

40 EO EP <U{ UVGO 'K'VGI TCVKQP

C0 Vj g'EO EP 'uj cmi'dg'ecr cdng'qh'uwr r qt'kpi 'k'vgi tvkqp'y kj 'Dwkr kpi 'O cpci go gpv'U{ uogo u'
 *DO U+'xlc'kpf wwt { 'ucpf ctf 'eqo o wplecvkqp'r tqvcequ'kpenw kpi 'DCEpgv'cpf 'NqpY qtmr' 0

40 EO EP <TGO QVG'EQP VTQNNGTU'

A. Uko r ng'O C'Tgo qvg'Eqptqngt '*RCE/[V75ETCW<

30 Vj g'Dcemk/Uko r ng'O C'Tgo qvg'Eqptqngt'uj cmi'dg'ecr cdng'qh'eqptqngt'kpi 'w 'q'38'
 kpf qqt'wpxu'f g'kpgf 'cu'3'i tqwr +0

40 Vj g'Dcemk/Uko r ng'O C'Tgo qvg'Eqptqngt'uj cmi'qnr' 'dg'wugf 'k'uco g'i tqwr 'y kj "
 Y krguu'O C'Tgo qvg'Eqptqngt '*RCT/HN540 C/G'TRCT/HC540 C/G'qt'y kj 'qyj gt'
 Dcemk/Uko r ng'O C'Tgo qvg'Eqptqngt '*RCE/[V75ETCW+:y kj 'w 'q'y q'tgo qvg'
 eqptqngt'u'r gt'i tqwr 0

Uko r ng'O C'Tgo qvg'Eqptqngt "			
Kgo	F guet lr vkap	Qr gt cvkqp	F kur r{
QP IQHH	Twp'cpf 'uqr 'qr gt cvkqp'ht'c'ukpi ng'i tqwr	Gcej 'I tqwr	Gcej " I tqwr
Qr gt cvkqp" O qf g	Uy kej gu'dgy ggp'EqqnlF t { kpi ICwq lHcp lJ gcvlUgdcen0 Qr gt cvkqp'o qf gu'xct { 'f gr gpf kpi 'qp'yj g'ck'eqpf k'kqpgt'wpx0' Cwq'cpf 'Ugdcen0 qf g'ctg'cxckrdng'ht'yj g'T4IY T4/Ugtkgu'	Gcej 'I tqwr	Gcej " I tqwr

	qpn0		
Vgo r gtcwtg" Ugwki	Ugv'vj g'vgo r gtcwtg'itqo "62ÄHó"; 7ÄHf gr gpf kpi "qp"qr gtcvkp" o qf g'cpf 'lpf qqt"wpk0 Ugr ctcvg'EQQN'cpf "J GC V"o qf g'ugv'r qlpvu'cxkærdng'f gr gpf kpi " qp'egpvtcn'eqpvtqngt'cpf "eqppgevgf "o gej cplecni'gs vkr o gp0"	Gcej "I tqwr	Gcej " I tqwr
Hcp'Ur ggf " Ugwki	Cxkærdng'hcp'ur ggf "ugwki u'f gr gpf kpi "qp'lpf qqt"wpk0	Gcej "I tqwr	Gcej " I tqwr
Ck'Hqy " Fktgevkp" Ugwki	Ck'hqy "fktgevkp"ugwki u'xct { "f gr gpf kpi "qp'vj g'lpf qqt"wpk" o qf gr0	Gcej "I tqwr	Gcej " I tqwr
Rgto k'I" Rtqj kdk/Nqecni' Qr gtcvkp	Kpf kxf wcm { 'r tqj kdk'qr gtcvkp"qh'gej "mqecitgo qvg'eqpvtqn" hwpevkp"UctvUqr .Ej cpi g'qr gtcvkp"o qf g. 'Ugv'vgo r gtcwtg." Tgugv'kngt+0 , 3<Egpvtcm { 'Eqpvtqngf "ku'f kur r { gf "qp'vj g'tgo qvg" eqpvtqngt'hqt'r tqj kdkgf 'hwpevkpu0	P IC	Gcej " I tqwr", 3
Fkur r { " Kpf qqt "Wpk" Kpvcng"Vgo r	O gcuwtgu'cpf "f kur r { u'vj g'lpvcng"vgo r gtcwtg"qh'vj g'lpf qqt"wpk" y j gp'vj g'lpf qqt "wpk/ku'qr gtcvkpi 0	P IC	Gcej " I tqwr
Fkur r { " Dcemki j v	Rtguakpi "vj g'dwvqp'itki j u'vr "c'dcemki j v0Vj g'itki j v'cwqo c'kecm { " wtpu'qhi'chgt "c'egt vcp'r gtlqf "qh'vko g0*Vj g'dtki j v'pau'ugwki u" ecp'dg'uggevgf "itqo "Dtki j v.F ctm"cpf "Nki j v'qih0-	P IC	Gcej "Wpkv
Gttqt	Y j gp'cp'gttqt "ku'ewtgpw { "qeewtlpi "qp'cp'ck'eqpf kkpqgt "wpk." vj g'chrevgf "wpk'cpf "vj g'gttqt "eqf g'ctg'f kur r { gf	P IC	Gcej "Wpkv
Vguv'Twp	Qr gtcvku'ck "eqpf kkpqgt "wpku'lp"vguv'twp"o qf g0 , 4"Vj g'f kur r { 'hqt "vguv'twp"o qf g'y km'dg'vj g'uco g'cu'hqt" pqto cni'uctvluqr "f qgu'pqvf kur r { "övguv'twpö+0	Gcej "I tqwr	Gcej " I tqwr", 4
Xgpvkrvkp" Gs vkr o gpv	Wr "vq'38'lpf qqt "wpku'ecp'dg'eqppgevgf "vq'cp'lpvgtmqngf "u { ugo " vj cv'j cu'qpg'NQUUP C["wpk0	Gcej "I tqwr	P IC
Ugv' Vgo r gtcwtg" Tcpi g'Nko kv	Ugv'vgo r gtcwtg'tcpi g'itko k'hqt"eqqikpi . 'j gcvki . "qt"cwq"o qf g0	Gcej "I tqwr	Gcej " I tqwr

4082 EGP VTCNK GF 'EQP VTQNGT '*Y GD/GP CDNGF +'

C0 CG/422'Egptcrk gf 'Eqptqngt '*v{r 0qh'4+<

50 Vj g'CG/422C'Egptcrk gf 'Eqptqngt'uj cml'dg'ecr cdng'qh'eqptqntkpi 'c'o czko wo 'qh'vy q" j wpt tgf '*422+'kpf qqt'woku'cetqui'o wnk r g'EKV['O WNVKqwf qqt'woku'y kj 'y g'wug'qh' y tgg '*5+CG/72C'gZR cpukqp'eqptqngtu0Vj g'CG/422C'Egptcrk gf 'Eqptqngt'uj cml'dg' cr r tqzko cvn{ '33/71540'z'9/771860'z'4/391540'lp'uk' g'cpf 'uj cml'dg'r qy gtgf 'y kj "cp" kpgi tcvf '322/462'XCE'r qy gt'uw r n{ 0Vj g'CG/422C'Egptcrk gf 'Eqptqngt'uj cml' uw r qt'v{ ugo 'eqphk wcvkqp.'f ckl ly ggm{ 'uej gf wkpi . 'o qpkqt kpi "qh'qr gtcvqp'ucwuu" pki j vugdcenlugwpi u.'ht gg'eqpcev'kpgtqmen'eqphk wcvkqp'cpf 'o cihwpevqp'o qpkqt kpi 0' Y j gp'dgkpi 'wugf "crpg'y kj qw'y g'gZR cpukqp'eqptqngtu.'y g'CG/422C'Egptcrk gf " Eqptqngt'uj cml'j cxg'hxg'dcule'qr gtcvqp'eqptqnu'y j kej 'ecp'dg'cr r rkgf 'vq'cp'kpf kxk wcl' kpf qqt'woku:'c'eqngevqp'qh'kpf qqt'woku'*w 'vq'72'kpf qqt'woku:'qt'cmikpf qqt'woku" *eqngevkg'dcvej "qr gtcvqp+0Vj ku'dcule'ugv'qh'qr gtcvqp'eqptqnu'ht'y g'CG/422" Egptcrk gf 'Eqptqngt'uj cml'penf g'qp kqh'qr gtcvqp'o qf g'ugngevqp '*eqqn'j gev.'cwq" *T4IY T4/Ugtkgu'qpn{ + 'f t{ . 'ugdcen*T4IY T4/Ugtkgu'qpn{ + 'cpf 'hcp+'vgo r gtcwtg'ugwpi . ' hcp'ur ggf'ugwpi . 'cpf'ck'hmj 'f k'gevqp'ugwpi 0Ukpeg'y g'CG/422C'r tqxkf gu'egptcrk gf " eqptqnk'uj cml'dg'cdng'vq'gpcdng'qt'f kucdng'qr gtcvqp'qh'iqecnt'go qvg'eqptqngtu0k'vgo u' qh'uej gf wkpi . 'y g'CG/422C'Egptcrk gf 'Eqptqngt'uj cml'cmj 'y g'wug'vq'f ghkg'dqj " f ckl' 'cpf' y ggm{ 'uej gf wgu'*w 'vq'46'uej gf wgf 'gxgp'u'r gt'f c{ + 'y kj "qr gtcvqpu" eqpukwpi 'qh'QP IQHH'o qf g'ugngevqp.'vgo r gtcwtg'ugwpi . 'ck'hmj '*xcpg+f k'gevqp." hcp'ur ggf . 'cpf' r gto klr tqj kdk'qh'tgo qvg'eqptqngtu0

CG/422'Egptcrk gf 'Eqptqngt +			
Kgo	F guet lr vlap	Qr gtcvqp	F hr r{
QP IQHH	Twp'cpf'uvqr'qr gtcvqp0	Gcej " Dnem" I tqw "qt" Eqngevkg	Gcej " I tqw "qt" Eqngevkg
Qr gtcvqp" O qf g	Uy kej gu'dgvy ggp'EqqnF t{ ICwq IHcp IJ gev0 *I tqw "qh'Nqupe{ 'wpx'cwqo cve'xgpvkrvqp lxp/v j gcvlkytej cpi glpqto cn'xgpvkrvqp+ Qr gtcvqp'o qf gu'xct { 'f gr gpf kpi "qp'y g'ck'eqpf kxkqgt" wpx0' Cwq'o qf g'ku'cxckrdng'ht'y g'T4IY T4/Ugtkgu'qpn{ 0	Gcej " Dnem" I tqw "qt" Eqngevkg	Gcej " I tqw
Vgo r gtcwtg" Ugwpi	Ugu'y g'vgo r gtcwtg'htqo '79A'0': 9A'f gr gpf kpi "qp" qr gtcvqp'o qf g'cpf'kpf qqt'wpx0	Gcej " Dnem" I tqw "qt" Eqngevkg	Gcej " I tqw
Hcp'Ur ggf " Ugwpi	Cxckrdng'hcp'ur ggf'ugwpi u'f gr gpf kpi "qp'kpf qqt'wpx0	Gcej " Dnem" I tqw "qt" Eqngevkg	Gcej " I tqw

Ck'Hqy " F kgevqap" Ugwki	Ck'hqy "f kgevqap"ugwki u'xct{ "f gr gpf kpi "qp"vj g'kpf qqt" wpl'o qf gr' , 30"Nqwxgt"ecppqv'dg'ugv0	, 3"Gcej " Dnqem" I tqwr " qt" Eqngevkg	Gcej " I tqwr
Uej gf wrg" Qr gtcvqap	Cppwcnly ggm{ kqf c{ "uej gf wrg"ecp'dg'ugv'ht"gej "i tqwr "qh" ck"eqpf kkpki "wpl'ku0Qr vko k{ gf "uactv'ugwki "ku'cnuq" cxckrdng0 , 30 Vj g'u{ ugo "hqmuy u'gkj gt"vj g'ewtgpv'f c{ ."cppwcn' uej gf wrg."qt'y ggm{ .y j lej "ctg'kp"vj g'f guegpf kpi " qtf gt"qh'qxgttkf kpi "r tktkx0 Vy gpv/ hqwt'gxgpv'ecp'uej gf wrgf "r gt'f c{ ."kpenf kpi " QP IQHH'O qf g."Vgo r gtcwtg'Ugwki ."Ck'F kgevqap."Hcp" Ur ggf "cpf "Qr gtcvqap"Rtqj kdkkq0 Hkxg'v{ r gu'qh'y ggm{ "uej gf wrg"ugcuqpcn#ecp'dg'ugv0 Ugwcdng'kgo u'f gr gpf "qp"vj g'hwpevqpu"vj cv'c'i kxgp"ck" eqpf kkpki "wpl'wv r qt v0	, 4"Gcej " Dnqem" I tqwr " qt" Eqngevkg	Gcej " I tqwr
Qr vko k{ gf " Uctv	Wpl'uactv'7"/"82"o kpwgu'dghqtg"vj g'uej gf wrgf "vko g'dcugf " qp"vj g'qr gtcvqap'f cv'j kxqt{ "kp"qtf gt"q'tgcej "vj g" uej gf wrgf "vgo r gtcwtg'cv'vj g'uej gf wrgf "vko g0	Gcej " Dnqem" I tqwr "qt" Eqngevkg	Gcej " Dnqem" I tqwr "qt" Eqngevkg
P ki j v'Ugdcm' Ugwki	Vj g'hwpevqap"j gr u'hgr "vj g'kpf qqt"vgo r gtcwtg'kp"vj g" vgo r gtcwtg'tcpi g'y j kx"vj g'wpl'ku'ctg'uxqr r gf "cpf "f wtkpi " vj g'vko g'vj ku'hwpevqap"ku'ghgevkg0	Gcej " I tqwr	Gcej " I tqwr
Rgto k'I" Rtqj kdk' Nqecn' Qr gtcvqap	Kpf kklf wcm{ "r tqj kdk'qr gtcvqap"qh'gej "hqcni'tgo qvg'eqpvtqn' hwpevqap"uactv'Uqr ."Ej cpi g'qr gtcvqap"o qf g."Ugv" vgo r gtcwtg."T gugv'hngt+0 , 50 Egpvcn{ "Eqpvtqmgf "ku'f kur r{ gf "qp"vj g'tgo qvg" eqpvtqngt "ht"r tqj kdkgf "hwpevqpu0	Gcej " Dnqem" I tqwr " qt" Eqngevkg	, 5"Gcej " I tqwr
Tqqo "Vgo r	F kur r{ u'vj g'tqgo "vgo r gtcwtg'qh'vj g'i tqwr 0Ur ceg" vgo r gtcwtg'f kur r{ gf "qp"vj g'kpf qqt"wpk'leq"qp"vj g'vqwej " uetggp'kpvthceg0	P IC	Gcej " I tqwr
Gttqt	Y j gp"cp"gttqt"ku'ewtgpw{ "qeewtkpi "qp"cp"ck"eqpf kkpqgt" wpl'vj g'chhkevgf "wpl'cpf "vj g'gttqt"eqf g'ctg'f kur r{ gf , 60 Y j gp"cp"gttqt"qeewtu."vj g'NGF "hruj gu0"Vj g" qr gtcvqap"o qpkqt"uetggp"uj qy u'vj g'cdpqt0 cn'wpl' d{ "hruj kpi "k0"Vj g'gttqt"o qpkqt"uetggp"uj qy u'vj g" cdpqt0 cn'wpl'cf f tguu."gttqt"eqf g'cpf "uqweg"qh" f ggevqap0"Vj g'gttqt"nqi "o qpkqt"uetggp"uj qy u'vj g" vko g'cpf "f cvg."vj g'cdpqt0 cn'wpl'cf f tguu."gttqt" eqf g'cpf "uqweg"qh'f ggevqap	P IC	, 6"Gcej " Wpl' qt" Eqngevkg
Qwf qqt "Wpl' Ucwu	Eqo r tguuqt'ecr cek{ "r gtegpvc"i g'cpf "u{ ugo "r tguuwtg"vj ki j " cpf "huy +r tguuwtg"gzcnf gu'U/Ugtlgu+	Gcej "QF W	Gcej "QF W

Eqppgevgf " Wpk' Kphto cvkp	O P G V'cf f t guugu'qh'cm'eqppgevgf 'u{ ugo u	Gcej 'K'W." QF W'cpf " DE	Gcej 'K'W." QF W'cpf " DE
Xgpvkvkp" Gs vkr o gpv	Vj ku'kpvgtmqngf "u{ ugo 'ugwki u'ecp'dg'r gthto gf "d{ "j g" o cvgt "u{ ugo 'eqvtqngt0 Y j gp'ugwki "j g'kpvgtmqngf "u{ ugo . "wug"j g'xgpvkvkp" uy kej "j g'htgg'r rcp'NQUUP C['ugwki u'dgwy ggp"öJ kö." öNqy ö"cpf "öUqr ö0 Y j gp'ugwki "c"i tqwr "qh'qpn' "htgg'r rcp'NQUUP C["wpku." { qw'ecp"uy kej "dgwy ggp"öP qto cni'xgpvkvkpo." öKvgtj cpi g'xgpvkvkpo"cpf "öCwqo cvke"xgpvkvkpo0	Gcej " I tqwr	Gcej " I tqwr
O wnr ig" Nepi wci g	Qv gt "j cp'Gpi rkuj . "j g'hmqy kpi 'rcpi wci g'ecp'dg'ej qugp0' Ur cpkuj . "Ht gpej . "Lcr cpug . "F wej . "Kcrkcp . "T wukcp ." Ej kpgug . "cpf "Rqtwi wug"ctg"cxckrdng0	P IC	Eqmgevkg
Gzvgtpcn' Kpr ww"l'Qwr ww	D{ "wukpi "ceeguqt{ "ecdrgu" { qw'ecp'ugv'cpf "o qpkqt "j g" hmqy kpi 0 Kpr ww D{ "hxgn"öDcvej "uvtvluqr ö."öDcvej "go gti gpe{ "uqr ö D{ "r wug<"ödcvej "uvtvluqr ö."öGpcdng lf kudng'tgo qvg" eqvtqngt0 Qwr ww<"öuvtvluqr ö."ögttqt IP qto crö , 70 Tgs wkt gu"j g"gzvgtpcn'KQ"ecdrgu"RCE/[I 32J C/ G+uqr "ugr ctevgn 0	, 7" Eqmgevkg	, 7" Eqmgevkg

- 60 Cm'CG/422C'Egpvtcrk gf 'Eqpvtqngtu'uj cm'dg'gs wkr r gf 'y kj 'vy q'TL/67'Gj gtpgv'r qtwa'vq"
 uwr r qt'v'kpvgteqppgevkqp'y kj 'c'pgwy qtm'RE'xkc'c'emugf lf kt gev'Nqecr'ctgc'P gw qtm'
 *NCP +qt'vq'c'pgwy qtm'uy ke j 'hqt'KR'eqo o wplecvkqp'vq'wr 'vq'v'j tgg'CG/72C'gZR cpukqp"
 eqpvtqngtu'hqt'f kur r { 'qh'wr 'vq'vy q'j'wpf t gf '*422+l'pf qat'wpku'qp'v'j g'b'ckp'CG/422C"
 kpvt'ceg0
- 70 Vj g'CG/422C'Egpvtcrk gf 'Eqpvtqngt'uj cm'dg'ecr cdng'qh'r gthqto kpi 'kpkkr'ugw'kpi u'xkc'
 v'j g'j ki j /tguqmwkqp.'dcemk'eqnqt'vqvej 'r cpgr'qp'v'j g'eqpvtqngt'qt'xkc'c'RE'dtqy ugt"
 wukpi 'v'j g'kpkkr'ugw'kpi u0

B. GY /72I W'Egpvtcrk gf 'Eqpvtqngt'v'j r 0qh'4+<

30 Vj g'GY /72'Egpvtcrk gf 'Eqpvtqngt'uj cm'dg'ecr cdng'qh'eqpvtqmkpi 'c'o czlo wo 'qh'72"
 kpf qat'wpku'cetquu'o wkr r g'EKV['O WNVKqwf qat'wpku0Vj g'GY /72'Egpvtcrk gf "
 Eqpvtqngt'uj cm'dg'cr r tqzlo cvgn{ ': /3 I4öz32ö'lp'u'k' g'cpf 'uj cm'dg'r qy gtgf 'htqo 'v'j g"
 gZvgt'pcnr qy gt'uw r r n' *RCE/UE73MWC+0'Vj g'GY /72'Egpvtcrk gf 'Eqpvtqngt'uj cm'
 uwr r qt'v'u{ ugo 'eqphk' wcvkqp.'fckn' ly ggm{ 'uej gf w'kpi . 'o qpkqtkpi 'qh'qr gtcv'kqp'ucwuu."
 htgg'eqp'cev'kpvt'mem'eqphk' wcvkqp'cpf 'o chmp'evkqp'o qpkqtkpi 0Vj g'GY /72"
 Egpvtcrk gf 'Eqpvtqngt'uj cm'j cxg'hxg'dcule'qr gtcv'kqp'eqpvtqni'y j ke j 'ecp'dg'cr r r k'gf 'vq'
 cp'kpf kxk wcn'kpf qat'wpk'c'i tqwr 'qh'kpf qat'wpku'*wr 'vq'72'kpf qat'wpku+ 'qt'cm'kpf qat"
 wpku'*eqmge'v'xg'dcvej 'qr gtcv'kqp+0Vj ku'dcule'ugv'qh'qr gtcv'kqp'eqpvtqni'hqt'v'j g'GY /72"
 Egpvtcrk gf 'Eqpvtqngt'uj cm'kpenw' g'qp lqhh'qr gtcv'kqp'o qf g'ugr'ge'v'kqp'*eqqn'j gev'cwq"
 *T4IY T4/Ugt'kgu'qpn{ + 'f t { . 'vgo r gtcw'g'ugw'kpi . 'h'cp'ur ggf 'ugw'kpi . 'cpf 'ckh'ny 'f k'ge'v'kqp"
 ugw'kpi 0Ukpeg'v'j g'GY /72'r tqxk' gu'egpvtcrk gf 'eqpvtqni'uj cm'dg'cdng'vq'gpcdr'g'qt"
 f kucdr'g'qr gtcv'kqp'qh'qecnr'tgo qv'ge'v'kqp'g'v'gto u'qh'uej gf w'kpi . 'v'j g'GY /72"
 Egpvtcrk gf 'Eqpvtqngt'uj cm'cm'ny 'v'j g'wug'v'q'f gh'kg'dqv'j 'fckn' 'cpf 'y ggm{ 'uej gf w'g'u'
 y kj 'qr gtcv'kqp'eqpuk'kpi 'qh'QP IQHH'o qf g'ugr'ge'v'kqp.'vgo r gtcw'g'ugw'kpi . 'ck'hn'y "
 *xcp'g+'f k'ge'v'kqp.'h'cp'ur ggf . 'cpf 'r gto klr tqj kdk'qh'tgo qv'ge'v'kqp'g'v'gto

GY /72'Egpvt crk gf 'Eqpvt qngt +			
Kgo	F guetkr v'kqp	Qr gtcv'kqp	F kur r {
QP IQHH	Twp'cpf 'uwr 'qr gtcv'kqp0	Gcej " Dnem" I tqwr 'qt" Eqmge'v'xg	Gcej " I tqwr 'qt" Eqmge'v'xg
Qr gtcv'kqp" O qf g	Kpf qat'wpk'o qf gu'EQQNIF T[IHCP ICWVQIJ GCVO Nqupc{ 'wpk'o qf gu' J GCVTGEQXGT[ID[RCUUCWVQ Ck'v'q'y cvgt *RY H[+o qf gu' J GCVR I IJ GCVR I 'GEQIJ QV'Y C'VGT ICP VK HTGG\ GIEQQNPI , Qr gtcv'kqp'o qf gu'xct{ 'f gr gpf kpi 'qp'v'j g'wpk'o qf gn' eqppge'v'gf 0 , 'Cwq'o qf g'ku'cxck'cdng'hqt'v'j g'T4IY T4/Ugt'kgu'qpn{ 0	Gcej " Dnem" I tqwr 'qt" Eqmge'v'xg	Gcej " I tqwr

Vgo r gtcwtg" Ugwki	Ugv'yj g'vgo r gtcwtg'htqo '62ÄH'ó"; 7ÄHf gr gpf kpi "qp" qr gtcvkqp'o qf g'cpf 'kpf qqt 'wpl'o qf gr0 Ugr ctcvg'EQQN'cpf 'J GCV'o qf g'ugv'r qkpw'cxckrdng" f gr gpf kpi "qp'tgo qvg'eqpvtqngt'cpf "eqppgevgf " o gej cplecni'gs wkr o gp0"	Gcej " Dnem" I tqwr "qt" Eqmgevkg	Gcej " I tqwr
Ugv" Vgo r gtcwtg" Tcpi g'Nko kv'	Vj g'tcpi g'qh'tqqo 'vgo r gtcwtg'ugwki "ecp'dg'iko kgf " d{ 'yj g'kpkkn'ugwki 'f gr gpf kpi "qp'yj g'kpf qqt 'wpl' eqppgevgf 0"	Gcej " I tqwr	Gcej " I tqwr
Hcp'Ur ggf " Ugwki	Cxckrdng'hcp'ur ggf 'ugwki u'f gr gpf "qp'kpf qqt 'wpl' o qf gr0	Gcej " Dnem" I tqwr "qt" Eqmgevkg	Gcej " I tqwr
Ck'Hmgy " F kgevqp" Ugwki	, Ck'Hmgy 'f kgevqp'ugwki u'xct { 'f gr gpf kpi "qp'yj g" kpf qqt 'wpl'o qf gr0 , 30 Nqwxgt 'ecppqv'dg'ug0	, 3"Gcej " Dnem" I tqwr " qt" Eqmgevkg	Gcej " I tqwr
Uej gf wrg" Qr gtcvkqp	Cppwcnly ggm{ lqf c{ 'uej gf wrg'ecp'dg'ugv'hq't'gej " i tqwr 'qh'ckt'eqpf kskpki 'wplu0Qr vko k gf 'uactv'ugwki " ku'cnuq'cxckrdng0 , 40"Vj g'u{ ugo 'hmqy u'gkj gt'yj g'ewtgpvf c{ ." cppwcn'uej gf wrg.'qt'y ggm{ . 'y j kej 'ctg'kp'yj g" f guegpf kpi "qtf gt'qh'qxgttkf kpi 'r tkqtkv 0 Vy gpv{ /hwt'gxgpw'ecp'uej gf wrgf 'r gt'f c{ . 'kpenw' kpi " QP IQHH'O qf g.'Vgo r gtcwtg'Ugwki . 'Ck'F kgevqp." Hcp'Ur ggf "cpf 'Qr gtcvkqp'Rtqj kdkkqp0 Hxg'v{ r gu'qh'y ggm{ 'uej gf wrg'ugcuqpcn'ecp'dg'ugv0 Ugwcdng'kgo u'f gr gpf "qp'yj g'hmpvkqpu'yj cv'c'i kxgp'ckt" eqpf kskpki 'wpl'uwr r qt u0	, 4"Gcej " Dnem" I tqwr " qt" Eqmgevkg	Gcej " I tqwr
J qif	F kcdng'u'uej gf wrgf 'hmpvkqpu'hq't'kpf qqt 'wpl'i tqwr u" cpf 'yj gkt'cuqekvgf 'tgo qvg'eqpvtqngt'vko gt u0" , pqv'cxckrdng'hq't'i gpgtcni'gs wkr o gpv	Gcej " Dnem" I tqwr "qt" Eqmgevkg	Gcej " I tqwr
Qr vko k gf 'Uctv	Wpl'uactv'7"/"82'o kpwgu'dghqtg'yj g'uej gf wrgf 'vko g" dcugf "qp'yj g'qr gtcvkqp'f cv'j kxqt { 'kp'qtf gt'vq'tgej " yj g'uej gf wrgf 'vgo r gtcwtg'cv'yj g'uej gf wrgf 'vko g0	Gcej " Dnem" I tqwr "qt" Eqmgevkg	Gcej " Dnem" I tqwr "qt" Eqmgevkg
Rgto kv'l" Rtqj kdk'Nqecni' Qr gtcvkqp	Kpf kxf wcm{ 'r tqj kdk'qr gtcvkqp'qh'gej 'hqcni'tgo qvg" eqpvtqnhmpvkqp'ugcvtv'Uqr . 'Ej cpi g'qr gtcvkqp'o qf g." Ugv'vgo r gtcwtg.'Hcp'Ur ggf . 'Ck'F kgevqp'cpf 'T gugv' hngt+0 , 50 Egpvtcm{ 'Eqpvtqngf 'ku'f kur r{ gf "qp'yj g" tgo qvg'eqpvtqngt'ht'r tqj kdk'gf 'hmpvkqpu0	Gcej " Dnem" I tqwr " qt" Eqmgevkg	, 5"Gcej " I tqwr

Tqqo "Vgo r	F kur rc{ u'vj g'tqqo "vgo r gtcwgt'qh'vj g'i tqwr 0	P IC	Gcej " I tqwr
Tqqo "J wo kf kv{	F kur rc{ u'vj g'r gtegpvt'gn'vkg'j wo kf kv{ 'lp'vj g'ur ceg'cu" ugpugf "d{ 'vj g'Uo ctv'O G'Tgo qvg'Eapvtqngt	P IC	Gcej " I tqwr
Qeewr cpe{ " Ugpuqt	F kur rc{ u'vj g'qeewr cpe{ 'leqp'qp'vj g'i tqwr 'leqp'lp'vj g' eqpf k'kqp'hku'v'ci g'y j gp'vj g'tqqo 'ku'qeewr kgf "d'ng+'qt" xcecpv'xi tc{+0 , Vj g'Uo ctv'O G'Tgo qvg'Eapvtqngt "Qeewr cpe{ "ugpuqt" ku'tgs vktgf 0"	P IC	Gcej " I tqwr
Dtki j vpguu" Ugpuqt	F kur rc{ u'vj g'dtki j vpguu'leqp'qp'vj g'i tqwr 'leqp'lp'vj g' eqpf k'kqp'hku'v'y j gp'vj g'ur ceg'ku'f gvgto kpgf "v'dg'dtki j v' *{ gmqy +'qt'f ctm'xi tc{+0" , Vj g'Uo ctv'O G'Tgo qvg'Eapvtqngt "Dtki j vpguu'ugpuqt" ku'tgs vktgf 0"	P IC	Gcej " I tqwr
Gttqt	Y j gp'cp'gttqt 'ku'ewttgpv'f "qeewt'kpi "qp'cp'ckt" eqpf k'kqp'gt'w'pkv.'vj g'ch'rv'v'f "w'pk'cpf 'vj g'gttqt'eqf g" ctg'f kur rc{ gf , 60 Y j gp'cp'gttqt'qeewtu.'vj g'NGF "h'rcuj gu0"Vj g' qr gtcv'kqp'o qpkqt'uetggp'uj qy u'vj g'cdp'qto cni' w'pk'd{ 'h'rcuj kpi "k0"Vj g'gttqt'o qpkqt'uetggp" uj qy u'vj g'cdp'qto cni'w'pk'cf f t'guu."gttqt'eqf g" cpf "uqwt'eg'qh'f g'v'g'v'kqp0"Vj g'gttqt'iqi "o qpkqt" uetggp'uj qy u'vj g'v'ko g'cpf 'f cvg.'vj g'cdp'qto cni' w'pk'cf f t'guu."gttqt'eqf g'cpf "uqwt'eg'qh'f g'v'g'v'kqp	P IC	, 6"Gcej " W'pkv' qt" Eqmgev'kxg
Xgpv'k'v'kqp" Gsvkr o gpv	Vj ku'lp'v'gt'ng'f "u{ u'vgo "ugv'kpi u'ecp'dg'r g'htqto gf "d{ " vj g'o c'v'gt' u'f u'vgo "eqpvtqngt0 Y j gp'ugv'kpi "vj g'lp'v'gt'ng'f "u{ u'vgo ."wug'vj g" xgpv'k'v'kqp'uy kej 'vj g'ht'gg'r r'p'NQUP C["ugv'kpi u" dgy ggp'öJ kö."öNqy ö"cpf "öUqr ö0 Y j gp'ugv'kpi "c'i tqwr "qh'q'pn' "ht'gg'r r'p'NQUP C[" w'pkv."{ qw'ecp'uy kej "dgy ggp'öP qto cni'xgpv'k'v'kqpö." ö'k'p'v'g'v'cpi g'xgpv'k'v'kqpö"cpf "öCwqo c'v'e'xgpv'k'v'kqpö0	Gcej " I tqwr	Gcej " I tqwr
O w'v'kr'rg" Nepi wci g	Qvj gt'vj cp'Gpi r'kuj .'vj g'h'q'ny kpi 'h'p'wci g'ecp'dg" ej qugp0Ur c'pkuj . 'Ht'g'pej . 'Lcr'cpgug.'I gto cp. K'c'k'c'p.'T'w'uk'c'p.'Ej k'p'gug."cpf "R'q't'w'v'gug'ctg'cx'ck'c'rdrg0	P IC	P IC
Gz'v'gt'pcn'k'p'w'w" Qwr w	D{ "w'k'p'i "ceeg'uat{ "ecdrgu"q'w'ecp'ug'v'cpf "o qpkqt'vj g" h'q'ny kpi 0 k'p'w'w<D{ "r'x'gn<"öD'c'v'ej "u'ct'v'lv'qr ö."öD'c'v'ej "go gti gpe{ " u'qr ö=D{ "r'w'ng<"öD'c'v'ej "u'ct'v'lv'qr ö."öG'p'cdrg'lf k'udrg" tgo qvg'eqpvtqngtö Qwr ww<"öu'ct'v'lv'qr ö."ögttqt'IP qto crö , 70 Tgs vktgu'vj g'gz'v'gt'pcn'k'k'q'ecdrgu"RCE/ [I 32J C/G+'u'q'f "ugr'ct'c'v'ng'f 0	, 7" Eqmgev'kxg	, 7" Eqmgev'kxg
O/P gv	Vj g'\$O/P GV\$'NGF "h'i j w.'y j gp'CE'r qy gt'uw'r n'f "ku" wtpgf "QP 0 Vj g'NGF "d'rk'p'm'ij k'g'O/P GV'ku'eqo o w'p'k'c'v'kpi 0	P IC	Gcej " I tqwr " *NGF +

Eqmgevkg QP IQHH	Cml'y g'w'pku'ecp'dg'qr gtcv'gf "T'uvqr r gf 'y kj "c'F RR" uy kej 0	Eqmgevkg	P IC
O gcuwtgo gpv	F kur r { u'yj g"Vgo r gtcwtg"cpf "J wo kf kv { 'kpr wu'qh'yj g" CKDqctf 0"Uwr r qt w'i tcr j "f kur r { "cpf "f cv"gzr qt v0""	P IC	Gcej "Wpkv
CJ E'Ucwwu	F kur r { u'yj g'ucwwu'qh'yj g'qh'yj g'kpr wu'cpf "qwr wu'qh" gcej 'Cf xcpegf "J XCE'Eqpvtqngt "FE/C4IQ+	P IC	Gcej "Wpkv
Htgg'Eqpcev' Ucwwu	F kur r { u'yj g'kpr w'qwr w'ucwwu'qh'yj g'Htgg'Eqpcev'qp" yj g'lpf qqt 'w'pku	P IC	Gcej "Wpkv
Htgg'Eqpcev' Kpvtqem Eqpvtqn	Qr gtcv'kp'qh'lpf qqt 'i tqwr u. 'i gp'gtcn'gs wkr o gpv'qt "htgg" eqpcev'qwr wu'dcugf "qp"i tqwr *u+eqpf kkp'u'qt "htgg" eqpcev'u+ 'kpr w'ucv'gu0	Gcej " I tqwr ." Qwr w'qt" Eqmgevkg	P IC
F cv'Dcem'vr " *RE+	Kp'kcn'ugw'kpi "f cv'ecp'dg'gzr qt v'gf "q'c'RE0	Eqmgevkg	P IC

- 40 Cm'GY /72'Egptcrk gf 'Eqptqmg'uj cm'dg'gs wkr r gf 'y kj 'y q'TL/67'Gj gtpgv'r qt v'q"
uwr r qt v'kwteqppgev'q'p'y kj "c"pgw qtm'RE"cpf "DCEpgv'IR"eqo o wplecv'q'xc"e"
emugf lf kgev'Nqecr'ctgc'P gwy qtm'NCP +0Vj g'GY /72'Egptcrk gf 'Eqptqmg'uj cm'dg"
ecr cdrg'qh'r gthqto kpi 'kpkcr'ugw'kpi u'qpr'kg'xc"e'RE "wukpi 'y g'GY /72'Egptcrk gf "
Eqptqmg'uj'kpkcr'ugw'kpi "dtqy ugt"qt"qpr'kg'q'k'k'p'g'y kj 'y g'kpkcr'Ug'w'kpi "Vqqf0
- 50 Ucpf ctf 'uqhy ctg'hwpev'q'pu'uj cm'dg'cxckrcdrg'uq'yj cv'yj g'dwkr kpi 'o cpci gt'ecp'ugew'gnl "
mji 'kpv'gcej 'GY /72'xc'yj g'RE'w'y gd'dtqy ugt'v'w'ur r qt v'qr gtcv'q'p'o qpkqt'kpi . "
uej gf w'kpi ."gttqt"go ckn'kwgt'men'kpi "cpf "qpr'kg'o ckw'p'cpeg'f'kci pqu'ku'Ucpf ctf "
uqhy ctg'hwpev'q'pu'uj cm'pqv'g'zr k'g'0'C f f'kw'p'cr'qr'kw'p'cr'uqhy ctg'hwpev'q'pu'q'hr'gtu'p'cr'
dtqy ugt'hqt'RE'u'cpf "O CEu'cpf "Gp'gti { "Cm'qecv'q'pu'uj cm'dg'cxckrcdrg'0Vj g'Gp'gti { "
Cm'qecv'q'pu'hwpev'q'pu'uj cm't'gs w't'g'CG/422'Gp'gti { "Cm'qecv'q'pu'k'p'gi t'cv'g' "U{ u'go 'k'p"
eqpl'wpev'q'p'y kj 'GY /72'Egptcrk gf 'Eqptqmg'uj

4083 EO EP 'TGO QVG'EQP VTQNNGTU<U| UVGO 'R'VGI TCVKQP

- 60 Vj g'EO EP 'uj cm'dg'ecr cdrg'qh'uwr r qt v'kpi 'k'p'gi t'cv'q'p'y kj 'Dw'kr kpi 'O cpci go gpv'
U{ u'go u' *DO U+0

C0 DCEpgv' 'k'p'g't'hc'eg<

30 N'k'eg'p'ug'<

- UY /DCEpgv'O c'w'gt'<O c'w'gt'Eqptqmg'uj'hw'p'g'uj'q'g'CG/422C'cpf 'GY /72C
- UY /DCEpgv'G'zr c'p'uk'q'p'<G'zr c'p'uk'q'p'Eqptqmg'uj'hw'p'g'uj'q'g'CG/72C'cpf 'GY /72C

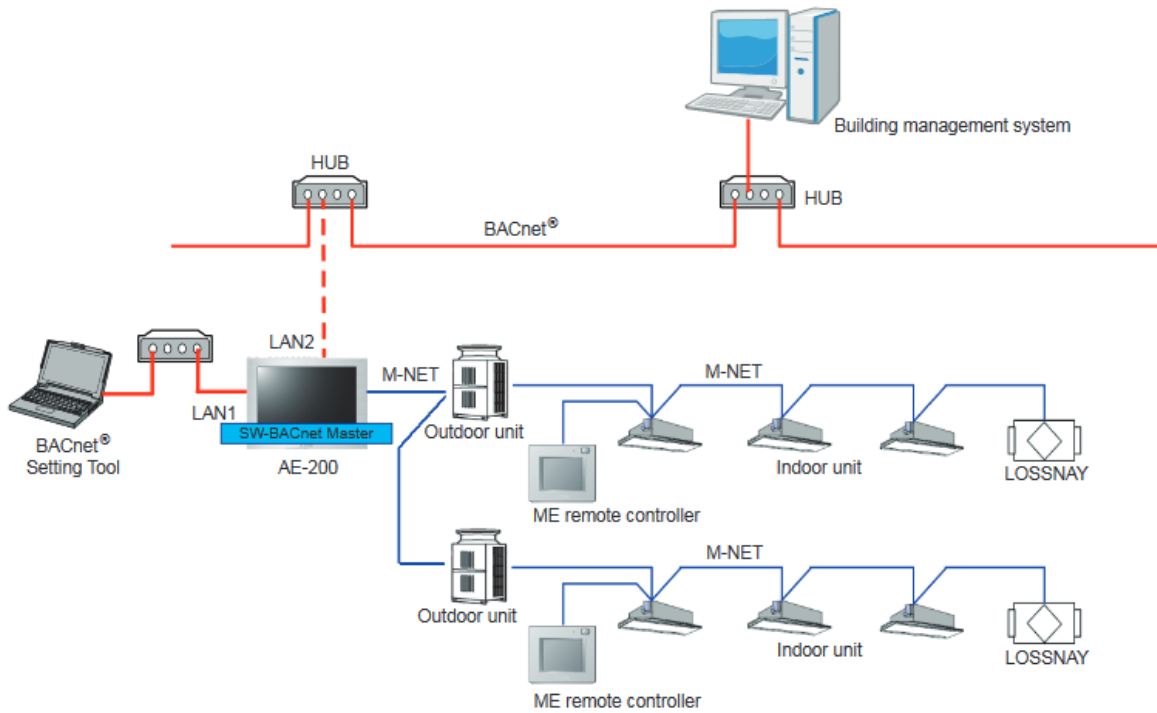
40 UY /DCEpgv'U'g'k'k'ecv'q'pu'<

- Eqptq'q'w'r "v'q'72'i t'q'w' u
- 3'v'q'38'k'p'f'q'q't'w'p'ku'ecp'dg'eqm'g'ev'x'gnl 'eqptqmg'uj'k'p'c'i t'q'w'
- Uwr r qt v'w'f'w'cn'l'ug'v'r'q'k'p'v'hw'p'ev'q'p'cr'k'v' "eqpp'g'ev'g'f'o qf'gnl'gr'gp'f'cp'v'
- DVN'Eqo r'k'ep'v
- DCEpgv'eqo o w'plecv'q'p'ur'g'k'k'ecv'q'pu'ct'g'd'c'ug'f' "q'p'CP UKCUI TCG'Ucpf ctf u'357/
4232

50 RE'T'gs w't'go gpv'<

- ERW'<3I J | "qt'j k'j g't
- O go qt { <3I D'qt'o q'tg
- J F F "Ur ceg'<322'O D'qt'o q'tg
- Uet ggp'T'gu'q'w'k'q'p'<3246'z'98: "qt'j k'j g't
- QU'<O k'et'q'q'hw'Y k'p'f'q'y u'9'54/dk'v'86/dk'v'O k'et'q'q'hw': Ø'54/dk'v'86/dk'v'0P q'v'eqo r'cv'k'drg"
y kj "Y k'p'f'q'y u'X'k'nc
- Gz'g'ew'k'q'p'G'p'x'k'q'p'o gpv'<O k'et'q'q'hw'OP GV'H'co gy q'tm'60'"qt'hw'gt
- Q'v'j g'tu'<R'q'k'p'v'k'pi 'f'g'x'k'eg'u'we'j 'cu'c'o q'w'ug.'k'p'v'g't'p'g'v'eqpp'g'ev'q'p' "t'gs w't'g'f' "y j g'p"
k'p'w'cn'k'pi "c'OP GV'H'co gy q'tm'

60 UY /DCEpgv'o'U{ u'go 'Gz'co r'rg



70 CG/422ICG/72IGY /72'DCEpgv'Rqkpv'Nkuv

<u>Qdlgev'Nkuv</u>
Qp'Qhh'Ugwr
Qp'Qhh'Ucvg.'P wo dgt'qh'QP IQHH'Ewo wrc'xg'qr gtc'vqp'vko g
Crcro 'Uki pcr'6/f ki k'gttqt'eqf g+
Gttqt'Eqf g
Qr gtc'vqpcr'O qf g'Ugwr
Qr gtc'vqpcr'O qf g'Ucvg
Hcp'Ur ggf'Ugwr
Hcp'Ur ggf'Ucvg
Tqqo 'Vgo r']Y cvgt'Vgo r_
Ugv'Vgo r']Ugv'Y cvgt'Vgo r_
Ugv'Vgo r'Eqqn
Ugv'Vgo r'J gcv
Ugv'Vgo r'Cwq
Hkngt'Uki p']Ektewrc'vpi 'Y cvgt'Gzej cpi g'Uki p_
Hkngt'Uki p'Tgugv']Ektewrc'vpi 'Y cvgt'Gzej cpi g'Uki p'Tgugv_
Rtqj kdkkqp'Qp'Qlh
Rtqj kdkkqp'O qf g
Rtqj kdkkqp'Hkngt'Uki p'Tgugv']Rtqj kdkkqp'Ektewrc'vpi 'Y cvgt'Gzej cpi g'Uki p' Tgugv_
Rtqj kdkkqp'Ugv'Vgo r gtcwttg
O/P GV'Ego o wplec'vqp'Ucvg

U{ungo 'Hqtegf 'Qh
Ck'F k'gevkp'Ugwr
Ck'F k'gevkp'Ucvg
Ugv'J ki j 'Nko k'Ugdcem'Vgo r
Ugv'Nqy 'Nko k'Ugdcem'Vgo r
Xgp'k'vkp'O qf g'Ugwr
Xgp'k'vkp'O qf g'Ucvg
Ck'Vq'Y cvgt'O qf g'Ugwr
U{ungo 'Crcro 'Uki pcr'6/f ki k'gttqt'eqf g+
RKEqptqngt'Crcro 'Uki pcr'6/f ki k'gttqt'eqf g+
I tqwr 'Crr qt'vkpgf 'Grgextle'Gpgti {
Kpvtmngf 'Wpku'Crr qt'vkpgf 'Grgextle'Gpgti {
RKEqptqngt'Grgextle'Gpgti { "366
Rwng'Kp w'Grgextle'Gpgti { "366
I tqwr 'Crr qt'vkpo gpv'Rctco gygt
Kpvtmngf 'Wpku'Crr qt'vkpo gpv'Rctco gygt
P ki j v'Rwti g'Ucvg
Vj gto q'Qp'Qh'Ucvg
Vtgpf 'Nqi 'Tqgo 'Vgo r
Vtgpf 'Nqi 'I tqwr 'Crr qt'vkpgf 'Grgextle'Gpgti {
Vtgpf 'Nqi 'Kpvtmngf 'Wpku'Crr qt'vkpgf 'Grgextle'Gpgti {
Vtgpf 'Nqi 'RKEqptqngt'Grgextle'Gpgti { "366
Vtgpf 'Nqi 'Rwng'Kp w'Grgextle'Gpgti { "366
Vtgpf 'Nqi 'I tqwr 'Crr qt'vkpo gpv'Rctco gygt
Vtgpf 'Nqi 'Kpvtmngf 'Wpku'Crr qt'vkpo gpv'Rctco gygt

B. NO CR26W'NqpY qtm' 'Kpvtmngf

80 Vj g'O kuwdkij k'Grgextle'Eqqkpi '('J gcvpi 'NqpY qtm' 'Kpvtmngf.'NO CR26W.'tj cni' uwr r qt'v'w' 'v' h'k' 'lpf qqt'w'pku'y kj 'c'xct'g'v' 'qh'p'gy qtm'xct'cdngu'qp'c'r gt'lpf qqt'w'pku' dcuku'Kp w'xct'cdngu'lpemf g.'dw'ctg'p'qv'iko kgf 'v'.'qp'q'hh'qr gtc'vkp'o qf g.'h'p'ur ggf.' r tqj kdk'tgo qv'eqptqngt.'cpf' h'ngt'uki p't'gug'0Qwr w'xct'cdngu'lpemf g.'dw'ctg'p'qv' rko kgf 'v'.'o qf grluk g.'c'rcro 'uncv'.'gttqt'eqf g.'cpf'gttqt'cf f'tguu0

RCTV'5''''GZ GEWVKQP

50B ''''K'UVCNNCVKQP

30 Kpucni'w'pku'igxgn'cpf 'r nwo d0

40 Kpucni'g'xcr qtcvqt/h'p'eqo r qpgpw'wukpi "o cpwhcwtgt)u'ucpf ctf "o qwp'kpi "f gx'legu" ugewt gn' 'h'cungpgf 'v'dw'k'f kpi 'ut wewt g0

50 Kpucni' tqqh'o qwp'v'f.' eqo r tguuqt/eqpf gpugt" eqo r qpgpw" qp" gs w'k'o gpv' uwr r qt'v'u0 Cpej qt'w'pku'v'uwr r qt'u'y kj 'tgo qxcdng.'ecf o kwo /r r'v'v'f 'h'cungpgtu0

- k0 Ego r n['y kj 'tgs wktgo gpu'hqt'xkdtcvkp'kuqrvkp'cpf 'ugluo le'eqvtqnf gxlegu'ur gekhgf 'kp'
Ugevkp'45276: '\$Xkdtcvkp'cpf 'Ugluo le'Eqvtqnu'hqt'J XCE\$
- 60 Kpuvcm' cpf " eqppgev" r tgej cti gf " tghtki gtcpv" wdkpi " vq" eqo r qpgpv'u" s wkm/eqppgev"
hkvkpi u0Kpuvcm'wdkpi "vq'cmqy "ceeguuvq'wvks0

50'HIGNF 'S WCNK['EQP VTQN

k0 O cpwhcewtgtu" Hkgrf " Ugtxleg< Gpi ci g" c" hcevt{/cwj qtk gf " ugtxleg" tgr tgugpvcxg" vq"
kpur gev'eqo r qpgpv."cuugo drkgu."cpf "gs vkr o gpv'kpuvcm'vkpu."kpenf kpi "eqppgev'vkpu."cpf "
vq'cuukv'kp'vkvkpi 0

70 Vguv'cpf 'Kpur gev'vkpu<

- k0 Ngcm'Vguv< Chgt "kpuvcm'vkpp."ej cti g"u{ vngo "cpf "vguv'hqt"ngcm0Tgr ck "ngcmu'cpf "tgvguv"
vkvkpi'q'ngcmu'gzkv0
- k0 Qr gtcvkpcn' Vguv< Chgt " grgevt'ecni'ekewkt { "j cu" dggp" gpgti k gf ."uactv' vpkv" vq" eqphko "
r tqr gt"o qvt'qvcvkp'cpf "vkv'qr gtcvkpp0
- k0 Vguv'cpf "cf lwuv'eqvtqnu'cpf "uchgvku0Tgr mreg'f co ci gf "cpf "o crhwpevkp'kpi "eqvtqnu'cpf "
gs vkr o gpv0

80 Tgo qxg'cpf 'tgr mreg'o crhwpevkp'kpi "vkv'cpf 'tgvguv'cu'ur gekhgf 'cdqxg0

90 Rtgr ctg'vguv'cpf 'kpur gev'vkp'tgr qtuv0

50'UVCTVWR'UGTXKEG

: 0 Gpi ci g" c" hcevt{/cwj qtk gf " ugtxleg" tgr tgugpvcxg" vq" r gthqto "uactwr "ugttxleg0

k0 Ego r rvg'kpuvcm'vkpp'cpf "uactwr "ej gemu'ceeqt'f kpi "vq"o cpwhcewtgtu'y tkvgr'kpuvcm'vkpu0

50'F GO QP UVTCVKP

; 0 Gpi ci g" c" hcevt{/cwj qtk gf " ugtxleg" tgr tgugpvcxg" vq" vckp" Qy pgt'u"
o clpvgpcpeg'r gtuqppgn'vq'cf lwuv."qr gtcvg."cpf "o clpvc'k'vkvkpi0

VQY P'QHI NCUVQPDWT[" " "DF % N/423:/3: "
 CKT'EQPFKVQPKPI 'KPUVCNNVCVQP'CV'HQWI'GNGO GPVCT['UEJ QQNU'
 I NCUVQPDWT[.EQPPGEVKEW"

UGEVIQP "48"22"22"/"I GP GTCN'GNGEVTKECN"

RCTV"3"/"I GP GTCN"

308" TGNCVGF 'F QEWO GP VU<

C0' Vj g'I gpgtciRtqxlkqpu"qh'vj g'Eqptcev."kpenmf kpi "I gpgtci/cpf "Uwr r ngo gpvt { "Eqpf kqkpu" cpf "F kxlkq"3."I gpgtciTgs vktgo gpwu."cr r nf "v'vj g'y qtmur gekhgf "lp"vj ku"Ugevkp0'

D0' Vj g'tgs vktgo gpw'lp"Ugevkp"482222"uj cmi qxgtp"vj g'y qtm'qh'cm"Ugevkpu"qh'F kxlkq"480'

304" UEQRG'QH'Y QTM<

C0' Ueqr g" qh' y qtm' eqpukuu" qh' kpuvcvqap" qh' o cvgtkcu" vq" dg" hwtpkuj gf " wpf gt" y gug" Ur gekhccvqpu" cpf " y kj qw' rko kipi " i gpgtci { " vj gthq" eqpukuu" qh' hwtpkuj kpi " rcdqt." o cvgtkcu."gs vkr o gpv."j qkukpi ."r rpx."vcpur qtvcvqp."tki i kpi ."uwi kpi ."cr r vtvgpcegu."cpf " ugtxlegu"pgeguuct { "cpf lqt"kpel gpvci"vq"r tqr gtn { "eqo r rvg"cm'grgvteclny qtm'cu"uj qy p"qp" f tcy kpi u."cu'f guetkdgf "lp"vj g"Ur gekhccvqpu"qt"cu'tgcuqpcdn' "kphgtgf "Itqo "gkj gt"cu'dgkpi " tgs vktgf "lp"qr kqkq"qh'vj g'Gpi kpggt0'

30' Tgegr vengu0'

40' Dtcpej "ektvkv'y kipi "hqt"tgegr vengu"cpf "J XCE"gs vkr o gpv0'

305" UKG'EQP F KIQP U<

C0' Rtlqt"v"uwo kipi "dkf ."xkuk"vj g'ukg"cpf "kf gpvkl { "gzkukpi "eqpf kqkpu"cpf "f khlewng"vj cv' y kn'clhgev'y qtm'ecmf "hqt"d { "vj g'Eqptcev"F qewo gpv0'

D0' Pq"eqo r gpucvqap"y kn'dg"i tcpvgf "hqt"cf f kqkpci'y qtm'ecwugf "d { "wphco kktctk { "y kj "ukg" eqpf kqkpu"vj cv'ctg'xkukdn"qt"tgcf kn { "eqputwgf "d { "gxr gtkgpegf "qdugt xgtu0'kpenmf g'lp"vj g'dkf" co qwpvcmf go qkqkq"y qtm'tgs vktgf 0'

E0' Vj g'Eqptcevqt"uj cmi'xgthk { "cpf "qdvcp"cm'pgeguuct { "f ko gpukpu'cv'vj g'ukg0'

306" FGHK'KIQP U<

C0' Hwtpkuj <"Vj g'y qtf "Shwtpkuj \$"ku'wugf "vq"o gcp"\$uwr r nf "cpf "f gkxgt"vj g'tghgtgpegf "kgo "vq"vj g" r tqlgev'ukg."tgcf { "hqt"vprmf kpi ."vpr cenkpi ."cuugo dn { "cpf "kpuvcvqap\$0'

D0' Kpuvcv"Vj g'y qtf "\$kpuvcv"ku'wugf "vq" f guetkdg"qr gtcvqpu"cv'vj g"r tqlgev'ukg"lpxqkpi "vj g" tghgtgpegf "kgo "kpenmf kpi "vj g"cewci"\$vprmf kpi ."vpr cenkpi ."cuugo dn { "gtgevqap."r rckpi ." cpej qt kpi ."cr r nf kpi ."y qtmkpi "vq" f ko gpukq."hpkuj kpi ."ewt kpi ."r tqgev kpi ."engcpkpi ."cpf " uko kct"qr gtcvqpu\$0'

E0' Pqto cm { "Qeew kgf <"Vj g'y qtf u"\$pqtto cm { "qewr kgf "\$ctg"wugf "vq"o gcp"\$cm'tqgo u'y kj kp"c" dwnf kpi "gzegr v' hqt" etey nr cegu."wpf gti tqwpf "wppgn."cwie"ur cegu."o gej cplecl'tqgo u." vgr j qpg'tqgo u."f cv'f kmtkdwkq"tqgo u."cpf "grgvteclntqgo u\$0'

F0' Qt"Cr r tqxgf "Gs wcn"Vj g'y qtf u"\$qt"cr r tqxgf "gs wcn"ctg"wugf "vq"o gcp"\$cp { "r tqf wev'y j kej " lp"vj g"qr kqkq"qh'vj g'Gpi kpggt"ku"guugpvcm { "gs wcnlp"svcrk { "uk'g."cttci go gpv."cr r gctcpeg." eqputwvqap."cpf "r gthqto cpeg"vq"vj cv'r tqf wev'ur gekhgf "qt"uj qy p"qp"vj g'f tcy kpi u\$0'

I GP GTCN'GNGEVTKECN"....."48"22"22"/"3"

CKT'EQPFKIQPKPI 'K'UVCNNCVQOP'CV'HQWI'GNGO GPVCT['UEJ QQNU'

I NCUVQPDWT[.EQPPGEVKEW"

"

G0 Rtqxf g<Vj g'y qtf "\$rtqxf g\$"o gcpu"\$vq"hwtpkuj "cpf "kpucm'v'j g"tghgt gpegf "kgo ."eqo r rgyv" cpf 'tgcf { 'hqt'v'j g'kpvgpf gf 'wug\$0'

"

H0 Tgo qxg<Vj g'y qtf "\$tgo qxg\$"o gcpu"\$vq"fwueqppgevtqo "ku'r tguvp'r quksqp."tgo qxg'htqo " v'j g'r tqgcvukg."cpf "v'f kur qug'qh'kp" c'rgi crno cpgt\$0'

"

30" SWCNK['CUUWTCPEG<

"

C0 Wug'cf gs wcv'pwo dgtu'qh'unimgf "y qtno gp'y j q'ctg'v'j qtqwi j n' "tclpgf "cpf "gzzr gtlgpegf "kp" v'j g'pgeguact { "etchm"cpf "y j q'ctg"eqo r rgyv" "hco kktc"y kj "v'j g'ur gekhgf "tgs wkt go gpw"cpf " v'j g'o gvj qf u'pggf gf 'hqt'r tqr gt'r gthqto cpeg'qh'v'j g'y qtn'qh'v'j g'Eqpvtcev'F qewo gpw0'

"

D0 Eqf gu'cpf "Tgi wcvkpu<

"

30" Kp" cf f kktqp" vq" eqo r n' lpi " y kj " v'j g'ur gekhgf " tgs wkt go gpw." eqo r n' " y kj " cm' Hgf gtcn" Ucvg" cpf " Nqecni Eqf gu" y j gtgxgt" cr r rkecdng" kpenmf lpi " v'j g'hmuy lpi < 4238"Eqppgevw'Ucvg"Dwkr lpi "Eqf g."4234"KDE."4238"Eqppgevw'Hkt g'Uchgv" Eqf g"."4234"Kvgtpcvqpcn'Hkt g'Eqf g."4232"P HRC"94"P cvkqpcn'Hkt g'Crcto "Eqf g." 4236" P HRC" 92" P cvkqpcn' Grgv'kecn" 4234" Kvgtpcvkqpcn' Gpgti { "Eqpugtxcvqpp" Eqf g."KEICP UKC339B/422; "Ceeguukdng"cpf "Wucdng"Dwkr lpi u"cpf "Hckkkgu." cpf "CF C0'

"

40' Eqo r n' "y kj "v'j g'tgs wkt go gpw'qh'v'j g'NqecniCwj qtkv' "J cxkpi "Lxkuf levkqp0'

"

50' O cvgtkcu"cpf "gs wkr o gpv'uj cm'dg'WN'hwngf "y j gtg'ucpf ctf "j cu'dggp"guvdrkuj gf 0'

"

60' Rgthqto "vguu'tgs wkt gf "d { "ur gekhcvkqpu."Gpi kpggt u'kpwt wcvkpu."rcy u."qtf kpcpegu" qt "r wdrle"cwj qtkkgu."cr r tqxcu."cpf "i kxg"Qy pgt "wo gn' "pqvleg0" P qvkh { "v'j g'Qy pgt" qh'f cvg'ht'kpur gevqpp"d { "qv'j g'cwj qtkkgu0'

"

70' Kp" v'j g'gxgpv'qh'eqph'lev' dgy ggp"qt "co qpi "ur gekhgf "tgs wkt go gpw"cpf "r gtvkpgpv" tgi wcvkpu."v'j g'o qt g'wtkpi gpvt'gs wkt go gpv'y kni qxgtp0'

"

80' Tghgt gpeg" o cf g" vq" eqf gu" cpf " ucpcf ctf u" uj cm' dg" kvgtr tgygf " cu" o kpk wo " tgs wkt go gpw0" "Rtqxf g" cpf "r gthqto "y qtn'kp" gzeguu"qh'eqf gu"cpf "ucpcf ctf u"cu" kpf kecvgf "d { "f tcy lpi u'qt"ur gekhcvkqpu0'

"

E0 Rtkt "vq"dkf lpi ."v'j g'Eqpvtcev"uj cm'i kxg'y tkvwp "pqvleg"vq"v'j g'Gpi kpggt "qh'cp { "o cvgtkcu." gs wkr o gpv."qt "cr r ctcwu" dgrkxgf "kp" v'j g'qr kpkqp"qh'uckf "Eqpvtcev."vq" dg" kpcf gs wcv"qt " vpuvkscdng"ht"v'j g'kpucm'cvkqp."qt "kp"xlqrcvqpp"qh'rcy u."qtf kpcpegu."twgu."qt "tgi wcvkpu"qh' cwj qtkkgu"j cxkpi "Lxkuf levkqp0"Vj g'Eqpvtcev"uj cm'cuq'i kxg'y tkvwp "pqvleg"vq"v'j g'Gpi kpggt" qh'cp { "kgo u."o cvgtkcu."gs wkr o gpv."qt "y qtn'dgrkxgf "kp"v'j g'qr kpkqp"qh'uckf "Eqpvtcev."vq" dg" qo kwgf "htqo "v'j g'Eqpvtcev" F qewo gpw0' Kp" v'j g'cdugpeg"qh'uwej "y tkvwp "pqvleg."k'ku" o wwmf "ci tggf "v'j cv'Eqpvtcev"j cu"lpenmf gf "v'j g'equv'qh'cm'tgs wkt gf "kgo u'kp"j ku'dkf "cpf " v'j cv'j g'y kni'dg'tgur qpukdng'ht"cr r tqxgf "ucvktcev" { "hwpevqkpi "qh'u'vgo u'y kj qw'hw'v'j gt" eqo r gpucvqpp0'

"

308" UWDO KVCNU<

"

C0 Tghgt "vq" F kktkqp"3'ht "uwo kwcn'r tqegf wtu0'

"

D0 Rrcg'c'r gto cpgpv'rcdng'ht "krg'dnqem'qp" gcej "uwo kwcn'ht'kf gpv'hw'cvkqp0'kpf kecvg'v'j g'pco g" qh'v'j g'gpv'k'v'j cv'r tgr ctgf "gcej "uwo kwcn'qp"v'j g'rcdng'ht "krg'dnqem0'

"

"

" " 30' Kpenf g'yj g'hqmy kpi 'lphqto cvkqp"qp'yj g'ncdgn'ht'r tqeguulpi "cpf 'tgeqt f kpi 'cevkqp" vngp<

" " " c0' Rtqlgev'pco g.'tqecvkqp."cpf 'cf f tguu"

" " " d0' F cvg"

" " " e0' P co g'cpf 'cf f tguu'qh'Gpi kpggt"

" " " f0' P co g'cpf 'cf f tguu'qh'Eqpvtcevqt"

" " " g0' P co g'cpf 'cf f tguu'qh'Uwd/Eqpvtcevqt"

" " " h0' P co g'cpf 'cf f tguu'qh'Uwr r nigt *u+"

" " " i0' P co g'qh'o cpwkcwgt *u+"

" " " j0' P wo dgt "cpf 'kng'qh'cr r tqr tkvg'Ur gekhlecvkqp"ugevkp0"

E0' F cvc"uj ggw"cpf "ecvnci "ewu."gve0'eqpvckpgf "lp"uwo kvcn"uj cmi'dg"ergetn{ "o ctngf "kp'kpn' kpf lecvkpi "ur gekhle"ugt xleg"qt"cr r nlecvkqp"ht"y j lej "o cvgtkcn'qt"gs wkr o gpv'ku"vq"dg" wugf 0' F cvc"qh'c'i gpgtcn'pcwtg"cpf "pqv'engctn{ "f ghkpi "yj g'ugt xleg"qt"cr r nlecvkqp"ht"y j lej "yj g" r tqr qugf 'kgo 'ku'vq"dg" wugf 'y knipqv'dg'ceegr vgf 0'

F0' Uwo k'ht"tgxky "eqo r ngv" f kci tco u"qh'u{ ugo u'r tgr ctgf "d{ "gs wkr o gpv'o cpwkcwgt" uj qy kpi "eqppgevqpu"cpf "gs wkr o gpv0'"Ucpcf ctf "y ktkpi "f kci tco u"uj cmi'dg"o qf khgf "y j gtg" pgeguct { "v'ur gekhle"u{ ugo 0'

G0' Rtkqt" vq" htqy ctf kpi " uwo kvcn" cpf " uj qr " f tcy kpi u" ht" tgxky " d{ " yj g" Gpi kpggt." yj g" Eqpvtcevqt" uj cmi' yj qtqwi j n{ " ej gen' gcej " uwo kvcn" tglgev' yj qug" pqv' eqphqto kpi " vq" yj g" ur gekhlecvkpu."cpf "kpf lecvg"d{ " j ku'uki pcwtg" yj cv' yj g" uwo kvcn' kp" j ku'qr kpkqp"o ggv' yj g" eqpvtcev'tgs vkt go gpw0'

H0' Kpvgv'qh'Uj qr 'F tcy kpi u'cpf 'r tqf vev'f cvc'tgxky 'ku'vq'ej gen'ht'ecr cekv{ .'tcvki "cpf 'egt vckp" eqpvtcevq" hgcwtgu." gpwtg" yj cv' y qtn' o ggvu" tgs vkt go gpw" qh" Eqpvtcev' F qewo gpw" tgi ctf kpi "lphqto cvkqp" yj cv'r gtvcvku'vq' hcdtkecvkqp"r tqeguugu'qt"o gcpu."o gvj qf u."gej pls wgu." ugs vgegu'cpf 'r tqegf vtu'qh'eqpvtcevq."cpf 'ht"eqqtf kpcvkqp'qh'y qtm'dgy ggp'vcf gu0'

I 0' Uwo kvcn' tgxky " uj cmi' pqv' f ko kpkij " tgur qpukdkv{ " wpf gt" yj ku' eqpvtcev' ht" f ko gpukpcn' eqqtf kpcvkqp."s wcvkku."kpuvcvkvqp."r kr kpi ." uwr r qtu."ceegu."ugt xleg"cpf "gttqtu."pqt"ht" f gxlcvkpu"htqo " tgs vkt go gpw" qh' eqpvtcev' f qewo gpw0'" P qvki "gttqtu" y j kng' qxgtnqkpi " qyj gtu" y kn'pqv'gzewug"r tqeggf kpi "kp"gttqt0'"Tgs vkt go gpw"qh'eqpvtcev' f qewo gpw'ctg"pqv' rko kgf . 'y ckxgf . 'pqt' uwr gtugf gf "d{ 'uj qr 'f tcy kpi 'tgxky 0'

J 0' Gs wkr o gpv' xctkcvkpu<" Y j gtg" pq" ur gekhle"o cng" qt" o cvgtkcn" cr r ctewu" qt" cr r nkepeg" ku" o gpv'kpgf " kp" yj g" Eqpvtcev' F qewo gpw." cp{ " hkuv' ercuu" r tqf vev' o cf g" d{ " c" tgr wcdng" o cpwkcwgt" o c{ " dg" wugf ." r tqxkf kpi " k' eqphqto u" vq" yj g" tgs vkt go gpw" qh' yj gug" ur gekhlecvkpu"cpf "o ggv' yj g" cr r tqxncqh' yj g" Gpi kpggt0'

K0' Gs wkr o gpv'cngt pcvgu."uwdurkwkqpu."cpf "f gxlcvkpu<

30' Y j gtgxgt"o qtg'yj cp'qpg"o cpwkcwgt"ku"o gpv'kpgf "kp" yj g'ur gekhlecvkpu"qt"qp'yj g' f tcy kpi u."cp{ "qh' yj qug" pco gf "uj cmi'dg"eqpuk'gtgf "gs wcm{ " ceegr vcdng"vq" yj cv'qp" wr qp" y j lej "f guki p" y cu'dcugf ." cpf "r tqxkf kpi " cmi'cur gewu'qh' yj g'ur gekhlecvkqp"ctg" o gv'kpuqht'cu's wcrkv{ ."eqpvtcevq."r gthqto cpeg."ur ceg'tgs vkt go gpw."pqkug'ngxgnu" cpf "ur gekcn' ceeguutkgu" qt" o cvgtkcn." cp{ "qh' yj qug" pco gf "o c{ " dg" kpenf gf "kp" Eqpvtcevqt'u'dkf 0'

- " " 40" Dkf fgtu'y kuj lpi "v"qdvclp"errrtqxcn'qp"dtcpf u"qyj gt"vj cp"vj qug"ur gekhkf"d{ "pco g"uj cm"uwo k'vj gk"tgs wguv"v"vj g"Gpi kpggt"pqv'ngu"vj cp"vgp"*32+"dwukpguu"fc{u"dghtg"vj g"fcvg'hkzgf"ht"qr gplpi"qh'dkf u0'Cr r t q x c n' d { " v j g'Gpi kpggt"y kn'dg"lp"vj g"htto "qh"cp" Cff gpf wo " vj "vj g"ur gekhkf"vqpu"kuwgf"v"cm'r tqur gevkg"dkf fgtu."lpfkecvpi "vj cv"vj g"cf fklqpcn' dtcpf"qt" dtcpf u"ctg"cr r t q x g f "cu"gs wcn"v"vj qug"ur gekhkf"uq'ht"cu"vj g'tgs wktgo gpw'qh'vj g'r tqlgev'ctg"eqpegtpgf 0'
- " " 50' Y j gtgxt"cu"lpi ng"o cpwlcwgt"ku"vugf"lp"vj g'ur gekhkf"vqpu"qt"qp"vj g'f tcy lpi u"cpf"ku'hmqy gf"d{ "vj g'y qtf u"\$qt"cr r t q x g f "gs wcn"vj g'Eqptcevt"o wuv'vug"vj g'kgo "pco gf"qt"j g'o c{ "cr r n' "ht"cp"cngtpcvg"gs wkr o gpv'f gxlcvkp"vj tqw j "vj g'r tguetkdg"o cpgt"lp"ceeqtf cpeg"y kj "Kgo "38. 'K'40"
- " " 60' Cngtpcvg"gs wkr o gpv"v"vj cv'ur gekhkf"qt"uj qy p"qp"vj g'f tcy lpi u."cu'r tqr qugf "v"dg"r t q x k f g f "d { " v j g'eqptcevt."o wuv'dg"guugpvcn{ "gs wcn"lp"s wcn{. "uk g."eqputwcvkp."cpf'r gthqto cpeg"v"vj cv'kgo 'ur gekhkf"qt"uj qy p"qp"vj g'f tcy lpi u0'
- " " 70' Uwo kwcn'ht"cngtpcvg"gs wkr o gpv'uj cm'ku'cm'f gxlcvkp"cpf"fhgtgpegu'htgo "vj g"ur gekhkf"gs wkr o gpv0' "Hkwtg"v"uwo k'vj ku'ruv"y km'tguwn"lp"tgkcvkp"qh"vj g"uwo kwcn' Cp{ " f g x l c v k p u " c p f " f h g t g p e g u " p q v " r u g f " d w " f k u e q x g t g f " c h g t " k p u c n e v k p " u j c m i d g ' t g e w k h g f " c u ' f k t g e v g f " d { " v j g'Gpi kpggt"cv'vj g'Eqptcevt"u'equ0'
- " " 80' Hwtpluj "uco r ngu'qh'cngtpcvg"gs wkr o gpv'r tqr qugf "v"dg'r t q x k f g f "y j g p' u q ' t g s w g u g f " d { " v j g'Gpi kpggt0'
- " " 90' Y j g t g ' v j g'Eqptcevt'r tqr qugu"v"vug"cp"kgo "qh'gs wkr o gpv'y j lej "f h g t u ' h t q o " v j c v " w r q p ' y j l e j " f g u k i p ' y c u ' d c u g f . ' y j l e j " t g s w k t g u ' c p { ' t g f g u k i p " q h ' v j g' u t w e w t g . " r c t v k k p u . " h q w p f c v k p u . " r k l p i . " y k l p i " q t " q h " c p { " q y g t " r c t v " q h " O g e j c p l e c n " G r e v t l e c n ' q t " C t e j k g e w t c n ' N c { q w w . " c m ' u w e j " t g f g u k i p . " p g y " f t c y l p i u " q t " f g v c k l p i " t g s w k t g f " u j c m i d g " r t g r c t g f " d { " E q p t c e v t " c v ' j k u " q y p " g z r g p u g " h q t " c r r t q x c n ' q h ' v j g'Gpi kpggt0'
- " " : 0' Y j g t g " c r r t q x g f " u w d u k w k p u " q t " f g x l c v k p u " t g s w k t g " c " f h g t g p v ' s w e p v k { . " u k g " q t " c t t e p i g o g p v " q h " u t w e w t c n " u w r r q t u . " y k l p i . " e q p f v k w . " r k l p i . " f w e y q t m " c p f " g s w k r o g p v ' h t q o " v j c v ' w r q p ' y j l e j " f g u k i p ' y c u ' d c u g f . " c m ' c f f k l q p c n k g o u ' t g s w k t g f " d { " v j g' u ' u g o u ' u j c m ' y k j " v j g' c r r t q x c n ' q h ' v j g'Gpi kpggt. "dg'hwtpluj gf"d{ "vj g'Eqptcevt"cv'pq'cf fklqpcn'equv"v"Qy pgt0'
- " " 10' Cmqy "uw'hlekpv'ko g'uq"vj cv'vj g'f grkxgt{ "cpf"lpucn'vqpu"qh'gs wkr o gpv'y kn'pqv'dg'f grc{ gf "cu" c" tguwn"qh" vj g" vko g" tgs wktgf "v" t g x l g y . " r t q e g u u " c p f " w t e p u o k ' u w d o k w c n . " l p e n f l p i " t g u w d o k w c n 0' H k w t g ' d { " v j g'Eqptcevt"v"tcpuo k'uwo kwcn'v"vj g'Gpi kpggt"lp"co r ng'vko g"ht"tgxky "cpf"r t q e g u k p i " u j c m i p q v ' g p v k g ' j k o " v q ' c p " g z v g p u k a p " q h ' v j g'Eqptcevt"vko g'cpf"pq"erko "ht"cp"gzv'gukap"qh'vko g'd{ "tgcupq"qh'uwej "f g h w n ' y k n i d g " c m q y g f 0'
- " " M0' Uwo kwcn."uj qr "f tcy lpi u."cpf"uco r ngu'y kn'dg"tgxky gf"y kj "tgcupcdng"r tqo r v'guu"cpf"y kn'dg"uco r gf"lpfkecvpi "cr r tqr tlcvg"cevkp"cu'hmqy u'
- " " 30' oPq"Gzegr vqpu"Vcngpo"o gcpu"vj cv'hdtkcvkp."o cpwlcwgt."qt"eqputwcvkp"o c{ "r t q e g g f " r t q x k f l p i " u w d o k w c n ' e q o r r k g u ' y k j " e q p t c e v ' f q e w o g p u 0'
- " " 40' oCo gpf"cu" P qygf o" o gcpu"vj cv' h d t k e c v k p . " o c p w l c w g t . " q t " e q p u t w e v k p " o c { " r t q e g g f . " r t q x k f l p i " v j g' u w d o k w c n ' e q o r r k g u ' y k j " G p i k p g g t a i " p q v c v k p u " c p f " e q p t c e v ' f q e w o g p u 0'
- " " 50' oTguwo ko"o gcpu"vj cv'uwo kwcn"qt"gs wkr o gpv'r tqr qugf "v"dg'r t q x k f g f . " f a g u ' p q v " e q o r n ' " h w n ' " y k j " v j g' e q p t c e v ' f q e w o g p u " c p f " v j c v ' h d t k e c v k p . " o c p w l c w g t . " q t " e q p u t w e v k p " u j c m i p q v ' r t q e g g f 0 " T g u w d o k ' l p " c e e q t f c p e g " y k j " v j g'Gpi kpggtai"pqcvkp"cpf"eqptcevt"qewo gpu0'

CKT'EQPFKIQPKPI 'KPUVCNNCVQOP'CV'HQWI'GNGO GPVCT['UEJ QQNU'

I NCUVQPDWT[.EQPPGEVKEW"

"

" " 60' oTglgevgf o'o gcpu'vj cv'uwdo kwcn'f qgu'pqv'eqo r n' y kj "eqpvtcev'f qewo gpu."qt'vj cv' gs wkr o gpv' r tqr qugf " vq" dg" r tqxkf gf " f qgu" pqv" eqo r n' " y kj " vj g" ur gekhgf " tgs wkt go gpu"qt'ku'pqv'gs wcn'qt'dgwtg"kp's wcrk' { "cpf "r gthqto cpeg"vj cp"vj cv'kgo " ur gekhgf 0Hcdtleckqp."o cpwkcwgt."qt"eqputveckqp"uj cni'pqv'r tqeggf 0T guwdo k'lp" ceeqtf cpeg'y kj "vj g'eqpvtcev'f qewo gpu'cpf "ur gekhgf "tgs wkt go gpu"

"

" N0' Ki'o cvgtkcn'qt'gs wkr o gpv'ku'kpucmgf "r tkt'vq'tgxky . "qt'y kj qw'tgxky . "k'uj cni'dg'tgo qxgf " cpf "tgr megf "cv'pq'gz'vc'ej cti g'v'vj g'Qy pgt'kh'lp"vj g'qr kpkp'qh'vj g'Gpi kpggt."vj g'o cvgtkcn' qt'gs wkr o gpv'ku'pqv'lp'eqo r rkcpeg'y kj "vj g'Eqpvtcev'F qewo gpu"

"

30" CUDWKNV'FTCY KPI UZ'

"

" C0' O clpvckp "c"ergcp."wpf co ci gf "ugv'qh'dmvg"qt'drcen'rkpg"y j kg/r tlpw'qh'Eqpvtcev'F tcy kpi u' cpf "Uj qr 'F tcy kpi u'cv'vj g'ld'ukg0Rt qvevtgeqtf "f tcy kpi u'ltqo "f gvtkqtckqp'cpf "mqu'lp"c" ugewt g"mccvckp0 Rtqxf g"ceegu" vq"tgeqtf "f tcy kpi u'ht" vj g'Gpi kpggt"u" tghg'gpeg" f wtkpi " pqtto cny qtnkpi "j qwtu0"

"

" D0' Cu'y qtn'r tqi tguugu'o ctm'vj g'tgeqtf "f tcy kpi u'vq"uj qy "vj g'cewcn'kpucncvckp"y j gtg"vj g' kpucncvckp"xctkgu"ltqo "vj g"y qtn'cu'qtki kpcmf "uj qy p."y j gyj gt'tguw'kpi "ltqo "Cf f gpf c." Ej cpi g" Qtf gt." cr r tqxgf " uwdo kwcn." qt " ej cpi gu" o cf g" f vg" vq" hgnf " eqpf kkpqu0 O ctm' y j lej gxgt "f tcy kpi "ku'o qu'cr r tqr tlcvg'ht"uj qy kpi "eqpf kkpqu'hwcn' { "cpf "ceewtvcgn' 0Y j gtg" uj qr "f tcy kpi u'ctg" wugf . "tgeqtf "c" etquu" tghg'gpeg" cv' vj g' eqttgur qpf kpi "mccvckp" qp" vj g' Eqpvtcev'F tcy kpi u0I kxg"r ctvkwrt "cwgpvckp" vq" kgo u"eqpegcrnf "y kj kp" vj g" utwewt g"qt" dwtkgf "dgnqy "i tcf g0"

"

" " 30' O ctm' cu/dwkn' f tcy kpi u' y kj " eqnrtgf " gtcucdrg" r gpekuz' wtkpi " ugr ctcvg" eqnrtu" vq" f ktkpi wkj "dgy ggp "f hgtgpv'u{ ugo u0"

"

" " 40' Kpenf g'f ko gpukppgf "mccvckp'qh'eqpf wk'twpu'dwtkgf "dgnqy "hqt"urdu'cpf "dwtkgf " dg{ qpf "vj g'dwkr kpi "hqv r tlp0"

"

" " 50' P qvg'tgrvgf "ej cpi g'qtf gt'pwo dgtu'y j gtg'cr r rlecdr0"

"

" E0' Cv'vj g'eqo r rkvckp'qh'y qtn'r tgr ctg'c'pgy "ugv'qh'drcen'rkpg"y j kg/r tlpw'Cu/dwkn'F tcy kpi u.'qh' y qtn' cu" cewcmf " kpucmgf ." kpeqr qtcvki " cf f gpf c." ej cpi gu" o cf g" f vg" vq" cr r tqxgf " uwdo kwcn."ej cpi g"qtf gt"y qtn'hgnf "ej cpi gu."cpf "cf f gf "f cvc."cni'cu'uj qy p"qp"vj g'o ctn'gf / wr "tgeqtf "f tcy kpi u'o clpvckp'gf "cv'vj g'ukg0F cvg"vj g'ugv'cpf "ergctn' "o ctm'k'cu"\$Cu/dwkn' F tcy kpi u\$0"

"

" F0' Hwtpkij "y q'ugv'qh'vj g'Cu/dwkn'F tcy kpi u'vq"vj g'Gpi kpggt"ht"tgxky "cpf "tcpuo ktkp"vq" vj g'Qy pgt0"

"

30 " QRGTCVRI 'CPF 'O C K R VGP C P E G 'O C P W C N U Z'

"

" C0' Rtqxf g'Qr gtcvki "cpf 'O clpvckp'cpeg'O cpwcn'lp'ceeqtf cpeg'y kj "vj g'tgs wkt go gpu'qh' F kxkqp"3'qh'vj gug'ur gekhlecckpu0"

"

30 " I WCTCP VGG'CPF 'Y CTTCP VIGU Z'

"

" C0' Eqo r n' y kj "vj g'tgs wkt go gpu'qh'F kxkqp"30"

"

"

"

CKT'EQPFKVKQPFI 'KUCNNCVKQP'CV'HQWI'GNGO GPVCT['UEJ QQNU'

I NCUVQPDWT[.EQPPGEVKEW"

"

" D0 Qdvclp" kp" Qy pgtai" pco g" y tkwgp" gswkro gpv" cpf" o cvgtkcn' y cttepvku" qhhtgf" kp" o cpwzewtgtai'r wdkuj gf'r tqf wevf cvc'y kj qw'gzenwukqp"qt'iko kcvkqp0

"

" E0 I wctcpvgg'y qtm'qh'y ku'Eqpvtcev'kp'y tkkpi "hqt"pqv'rguu'y cp'y grkg"*34+o qpy u'htqo "f cvg" qh'Uwducpvkn'Eqo r rkwqp0'T gr ct'qt'tgr rneg'f ghgevkg'o cvgtkcn'gs wkr o gpv'y qtno cpuj kr" cpf "kpucm'vkap"y cv'f gxgru"y kj kp'y ku'r gkqf ."r tqo r w' "cpf "v"Qy pgtai'uc'wukcev'kp"cpf" eqttgev'f co ci g" ecwugf "kp" o cmkpi "pgeguuct {" tgr ctu" cpf " tgr rnego gpw" wpf gt"i wctcpvgg" y kj kp'eqpvtcev'r tleg0

"

" F0 Tgr rneg'o cvgtkcn'qt"gs wkr o gpv'y cv'tgs wkt gu'gzegukxg'ugt xleg'f wtkpi "i wctcpvgg'r gkqf ."cu" f ghkqf "cpf "cu'f kgev'f d{ "y g'Gpi kpggt0

"

" G0 Uwdo k'i wctcpvgg'v'y g'Qy pgt'dghqtg'hkpcnr c{o gpw0

"

302" NCY U.'QTF K CPEGU.'RGTO K/U.'CPF 'HGGU'

"

" C0 I kxg"cm'pgeguuct {" pqv'legu."qdvclp"cm'r gto ku"cpf "r c {" cm'vczgu."hgg"cpf "qvj gt"equu"kp" eqppgev'kp"y kj "y g'y qtn' "hkg"cm'pgeguuct {" r rpu."r tgr ctg"cm'f qewo gpw"cpf "qdvclp"cm' pgeguuct {" cr r txc'm' qh' cm' Tgi w'vkap" Cwj qtklgu=" qdvclp" cm' tgs wkt gf " Egt'w'k'ecv'gu" qh' Qeewr cpe {" cpf lqt "Kpur gev'kpu'tgs wkt gf "hqt'y g'y qtm'cpf "f grkxg'uco g'v'y g'Qy pgt'dghqtg" tgs wguu'ht'ceegr wpeg'cpf 'hkpcnr c{o gpv'ht'y g'y qtn0

"

" D0 Kpenf g" kp" y g" y qtm" y kj qw' gzxc" equv" vq" y g" Qy pgt." cm' rcdqt." o cvgtkcn." ugtxlegu." cr r ctcwu." f tcy kpi u' "kp" cf f k'kqp"v'Eqpvtcev'F qewo gpw'cpf "F tcy kpi u+'tgs wkt gf "v'eqo r n" y kj "cm'r r r'ecdr'rcy u."qt f k'p'ep'gu."tw'gu'cpf "tgi w'vkapu0

"

303" EQTTGNCVKQP'QHFTCY FI U'CPF 'URGEKHECVKQP U'

"

" C0 K'i gpgtcn'y g'Ur gekh'ecv'kpu'y kn'f guetkdg'y g'os wcrk'v'ö'qh'y g'y qtm'cpf "y g'f tcy kpi u'y g' ögz'v'p'ö'qh'y g'y qtn0"Vj g'f tcy kpi u'cpf "ur gekh'ecv'kpu'ctg'eqqr gtcv'kg'cpf "uwr r ngo gpvct {- j qy gxgt."cpf "gcej "kgo "qh'y g'y qtn'ku'pqv'pgeguuctku"o gpv'kqpf "kp"dqj "y g'f tcy kpi u'cpf " ur gekh'ecv'kpu0"cm'y qtm'pgeguuct {" v'eqo r r'ng'v'y g'r tq'lg'ev"uq'f guetkdgf ."ku"v'q'dg'kpenf gf" kp'y ku'eqpvtcev0

"

" D0 K'ecug'qh'f kuci tgg'o gpv'dgw ggp'f tcy kpi u'cpf "ur gekh'ecv'kpu."qt"y kj kp" gkj gt'f qewo gpv' kugh"y g'dgw'g'ts wcrk'v' "qt"i tgcvt'g's wcp'v'k' "qh'y qtm'uj cm'dg"gu'ko cvgf "cpf "y g'o cwgt'f tcy p" vq"y g'Gpi kpggt'u'cwgp'v'k'p'ht'f gekukqp"cpf lqt'cf lw'wo gpv0Cp {" y qtm' f qpg" d {" cp {" Eqpvtcev'qt" y kj qw'eqpuw'kpi "y g'Gpi kpggt."y j gp"y g'uco g" tgs wkt gu" c" f gekukqp" cpf lqt" cf lw'wo gpv'uj cm'dg'f qpg'cv'y g'Eqpvtcev'qt'at'k'ku0

"

" E0 F tcy kpi u' ctg" f kci tco o cvk" cpf " kpf'k'ev'g" i gpgtcn' cttepi go gpv' qh' u' u'vgo u" cpf " y qtm' kpenf gf "kp"Eqpvtcev0"K'ht'o cvkqp"cpf "eqo r qpgpv'uj qy p'qp" f kci tco u'dw'pqv'qp"r rpu." cpf "xleg'xgtuc."uj cm'r r n' "qt'uj cm'dg'r tq'x'f gf "cu"v' qwi j "gzr t'guum' "tgs wkt gf "qp"dqj 0"K'ku" pqv'k'v'p'gf gf "y cv'gxgt {" h'w'kpi "qt'eqo r qpgpv'dg'ur gekh'gf "qt'uj qy p'qp" f tcy kpi u'="j qy gxgt." Eqpvtcev'F qewo gpw"tgs wkt g'r tq'x'k'kqp" qh' cm'eqo r qpgpv' cpf " o cvgtkcn'pgeguuct {" hqt" c" eqo r r'ng'v'cpf "qr gtc'v'k'p'c'nr'k'puc'v'k'p."y j gvj gt'qt'pqv'k'p'f'k'ev'g' "qt'ur gekh'gf 0

"

" F0 Fq"pqv'uecr'g'f tcy kpi u'U'ecr'g'k'p'f'k'ev'g' "qp" f tcy kpi u'"ku"ht' gu'cd'rkuj kpi "tghgt'gpeg"r qkpw" qp'0'Cew'cn'h'gr'f "eqpf k'k'p'u"uj cm'i qxgtp"cm'f ko gpuk'p'u0Vj g'Eqpvtcev'qt'uj cm'xgt'kh' "cm' f ko gpuk'p'u'cv'y g'r tq'lg'ev'ukg0

"

"

CKT'EQPFKIQPKI 'K'UVCNNCVQOP'CV'HQWI'GNGO GPVCT['UEJ QQNU'

I NCUVQPDWT[.EQPPGEVKEW"

"

G0 Kp"cm'ecugu"y j gtg"y j g"Eqptcev'F qewo gpu'tghgt"vq"gs wkr o gpv'qt"cr r ctcwu"kp"ukpi wrct" pwo dgt."k'ku"kpvpf gf "y cv'uwej "tghgtpege'kpenf g"cu'o cp{"uwej "kgo u'y cv'ctg"tgs wktgf "vq" eqo r rvgv'y g'y qtn0

"

3084" GNGEVTKECN'XQNVCI GU<

"

C0 Vj g'grgevtkecnlgtxlegu'vq'y j g'dwkr lpi u'ku'42: [B42X.'5'r j sug.'6'y kg.'82J | 0"

"

D0 Cml'gs wkr o gpv'uj cml'dg"uwkcdrg"lqt"y j ku'grgevtkecn'uw r n'0'K'ku'y j g"t gur qpukdrk{"qh'y j g" Eqptcevqt"vq"uwf {"y j g'grgevtkecn'f tcy lpi u'vq"fgvto kpg'y j g'uw r n' lqt"cp{"r ctvewrct'r kgeg" qh'gs wkr o gpv0

"

E0 K'gs wkr o gpv'tgs wktgu'qy gt"grgevtkecn'ej ctcevtkruku"xqnci g"cpf'r j sug+'y cp'y cv'uw r rkgf" cpf"uj qy p"qp'y j g'grgevtkecn'f tcy lpi u."tcpuhtqto gtu'cpf'y k lpi 'uj cml'dg'r tqxkf gf "y kj "y cv' gs wkr o gpv'cv'pq"gzv'c'equ'vq'y j g'Qy pgt0

"

"

RCTV'4"/'RTQFWEVU'

"

408"" O CVGTICNUCPF 'Y QTMO CP UJ R<

"

C0 Rtqxf g'qpn{"o cvgtkcu'y cv'ctg'pgy "cpf"qh'v'r g'cpf's wkr{"ur gekhgf 0Y j gtg'Wpf gty tkgu0 Ncdqtcvqtkgu."kpe0'j cxg"guvdrkuj gf "ucpf ctf u'ht"uwej "o cvgtkcu."r tqxf g'qpn{"o cvgtkcu" dgctkpi 'y j g'WN'rdgr0

"

D0 Rtqxf g'ceeguqtkgu."o cvgtkcu"cpf"gs wkr o gpv'pgeguact {"vq"o cng'kpucm'vqp"eqo r rvgv"kp" gxgt {"f gvkn"cpf "vq"eqphqto "vq"o cpwrcwtgtu)'rcv'u'kpucm'vqp"kpucm'vqp."wvf gt"y j ku' Eqptcev'y j g'gt'qt'pqv'ur gekhcm' "uj qy p"qp'f tcy lpi u'qt'ur gekhgf 'j gt gkp0

"

E0 Cml'eqo r qpgpv'r ctu'qh'gej "kgo "qh'gs wkr o gpv'uj cml'dgct"y j g"o cpwrcwtgtu)'pco gr rvg." i k lpi "pco g"qh'o cpwrcwtgt."f guetkr vqp."uk'g."v'r g."ugtken'qt"o qf gn'pwo dgt."grgevtkecn' ej ctcevtkruku."gve0'kp" qtf gt" vq" hcekrkcvg"o clpvpcpeg"qt" tgr rcego gpv0 Eqptcevqtu" qt" Fkntkdwqtu'pco gr rvgu'uj cml'pqv'dg'hkzgf "vq"kgo u'qh'gs wkr o gpv'cpf'ctg'pqv'cp'ceegr vdrng" cngtpevg'vq'y j g'o cpwrcwtgtu)'pco gr rvg'f cvc0

"

F0 P q'o cvgtkcu'qt"gs wkr o gpv'wugf "uj cml'dg'f kueqpv'wugf "qt'cdqvw'vq'dg'f kueqpv'wugf "kgo u0 "

"

G0 Vj g'Gpi kpggt"uj cml'j cxg"y j g"tki j v'vq"tglgev'cp{"r ctv'qh'y j g'y qtn'kp"ecug"y j g"o cvgtkcu'qt" y qtn0 cpuj kr "ku'pqv'qh'ucvukhcevqt {"s wkr{0Cp {"y qtn'qt"o cvgtkcu'f ggo gf "wpccegr vdrng'd {" y j g'Gpi kpggt"uj cml'dg'tgo qxgf "cpf "tgr rcegf "y kj "ceegr vdrng'y qtn'cpf "o cvgtkcu'cu'f ghkpgf" d {"y j Gpi kpggt."cpf "cv'pq'cf f kkpncn'gzr gpug'vq'y j g'Qy pgt0

"

404"" RTQVGEVIQPK <

"

C0 Y qtn'r gthqto gf "d {"y j g'Eqptcevqt"uj cml'kpenf g'r tqvge'kpi "y j g'y qtn'cpf "o cvgtkcu'qh'cml' qy j g'Eqptcevqtu'htqo "f co ci g'd {"y qtn'qt"y qtn0 gp."cpf "uj cml'kpenf g'o cml'pi "i qqf "cp {" cpf "cml' co ci g'y wu'ecwugf 0

"

D0 Vj g'Eqptcevqt"uj cml'dg't gur qpukdrng'ht"y qtn'cpf"gs wkr o gpv'wv'k'k'kpcm' "kpur gev'f."v'gugf" cpf "ceegr v'f 0'Rtqvge'v' y qtn'ci clpu'v'j gh'v'y g'v'j gt."kplwt {"qt'f co ci g."cpf "ectghm' "u'v'gtg"

"

I GP GTCN'GNGEVTKECN".....48'22'22"/'9"

"

"

CKT'EQPFKVKQPFI 'K'UVCNNCVKQP'CV'HQWI'GNGO GPVCT['UEJ QQNU'

I NCUVQPDWT[.EQPPGEVKEW"

" " o cvgtkcn'cpf "gs wkr o gpv'tgegkxgf "qp"ukg"y j lej "ku"pqv'ko o gf kcvgnf "kpuvcnmgf 0"Emug"qr gp"
gpf u'qh'y qtnly kj "cr r tqxgf "eqxgtu."ecr u'qt'r nmi u'f wtkpi "eqputvevkqp"vq"gzemf g'f wuv."f kv."
" " o qkuwtg." r rucvtg." o qtvt." qt " i gpgtcrn' eqputvevkqp" f gdtku0 P qvg"/" f wev' vcr g" ku" pqv' cp"
ceegr vcdng'o gcpu'qhr' tqvevki "qr gp'eqpf wk'cpf "r kr g'gpf u0

" E0" K' uq" ur gekkxgf . " y qtn' o c { " kpenf g" tgegkxkpi . " wprqcf kpi . " wpetcvkpi . " uqtkpi . " r tqvevki . "
ugvki "kp"r rceg" cpf "eqo r rvgv" "eqppgevkpi " cp { " o qvt " uctvgtu" cpf lqt " eqvtqn' gs wkr o gpv'
j cxkpi " o gej cplecnlrgvtecln' ugtxleg" eqppgevkpu" y j lej " o c { " dg" hwtpluj gf " d { " Qy pgt" qt"
hwtpluj gf " d { " qj gtu0"

" F0" Y qtn' uj cml' kpenf g" gzgtekupi " ur gekcn' ectg" kp" j cpf r kpi " cpf " r tqvevki " gs wkr o gpv' cpf "
hkzwtgu0" Cp { " gs wkr o gpv' cpf " hkzwtgu" y j lej " ctg' o kulpi . " nuv. " uqrgp. " qt' f co ci gf " d { " tgcuaq"
qh' y j g" Eqvtcevqt" u" hcnwtg" vq" r tqxkf g" cf gs wcvg" r tqvevki " uj cml' dg" tgr rceg" d { " y cv'
Eqvtcevqt " cv' pq' cf f kkpncnequ' vq' y j g' Qy pgt0

405" VGO RQTCT['HCEKNKVGU<

" C0" Rtqxf g' vgo r qtct { " r qy gt. " hki j vki . " cpf " eqo o wplecvkpu' cu' tgs wkt gf " hqt" y j g' r gthqto cpeg" qh'
y j g' y qtn' qh' y j ku' Eqvtcev0

" D0" Rtqxf g' pgy " o cvgtkcn' cpf " gs wkr o gpv' " kh' ceegr vcdng' vq' y j g' Gpi kpggt. " wpf co ci gf " r tgxkqunf "
wugf " o cvgtkcn' kp" ugtxlegcdng' eqpf kkp" o c { " dg" wugf 0 Cml' o cvgtkcn' uj cml' dg' uwkcdng' hqt" y j g'
ugt xleg' kp' gpf gf 0

" E0" O clpvkcp' vgo r qtct { " ugtxlegu' cpf " hcekkkku' kp" c' pgev' cpf " ergcp" o cpgt0 Qr gtcvg' kp" c' uchg' cpf "
ghhlekpv' o cpgt0 F q' pqv' cmny " j c| ctf qwu. " f cpi gtqwu. " qt" wpuclkct { " eqpf kkp' vq' f gxgr"
qt' r gtukv' qp' ukgo

" F0" F q' pqv' qxgtncf " vgo r qtct { " hcekkkku. " qt' r gto k' vj go " vq' kpvgt hgt' y kj " r tqi tguu' qh' y j g' y qtn0

" G0" Uechhqf kpi " cpf " qj gt" vgo r qtct { " eqputvevkqp" uj cml' dg" tki kfn " dwkn' kp" ceeqtf cpeg" y kj "
Nqecn " Ucvg. " cpf " Hgf gtcn' gi wrcvku0

" H0" Tgo qxg' gcej " vgo r qtct { " hcekkkxgf " y j gp' pq' nupi gt' pggf gf . " y j gp' tgr rceg" d { " cwj qtk gf " wug"
qh' c" r gto cpgpv' hcekkkxgf . " qt' pq' rucvtg' y j cp " Uduvcvkn' Eqo r rvgv' kp0 Eqo r rvgv' cpf lqt " tguqtg"
r gto cpgpv' eqputvevkqp" y j cv' o c { " j cxg" dggp" f gr { gf " dgecvug" qh' kpvgt hgt' ppeg" y kj " y j g'
vgo r qtct { " hcekkkxgf 0 T gr ckt' f co ci gf " y qtm' ergcp" g' zr qugf " uwt hcegu. " cpf " tgr rceg' eqputvevkqp"
y j cv' ccppqv' dg' tgr ckt' gf " vq' y j g' ucvkufcevkqp' qh' y j g' Qy pgt0

406" UECHHQNFRI .TKI RI .J QKVR I <

" C0" Y qtn' uj cml' kpenf g' cml' uechhqf kpi . " tki i kpi . " j qkukpi " cpf " ugtxlegu' pgeguuct { " hqt" f grkxgt { " cpf "
gtgevkqp' qh' gs wkr o gpv' kp' vq' qt' qp' vq' y j g' ukv' cpf lqt " dwkf kpi 0 T go qxg' cml' uechhqf kpi . " tki i kpi . "
cpf " j qkukpi " gs wkr o gpv' htqo " y j g' ukv' y j gp' pq' nupi gt' pggf gf 0

407" GZECXCVKQP'CP F'DCEMHKNRI <

" C0" Gzecxvki' cpf " dcenthki' hqt' cml' g' g' vtecln' y qtn' k' p' g' g' c' p' f " q' w' u' k' g' qh' y j g' dwkf kpi " uj cml' dg"
r gthqto gf " kp' ceeqtf cpeg" y kj " F k' k' k' k' 4' qh' y j g' u' g' U' r gekkxkku0

CKT'EQPFKIQPFI 'K UVCNNCVQOP'CV'HQWI'GNGO GPVCT['UEJ QQNU'

I NCUVQPDWT[.EQPPGEVKEW"

"
"

408 EWWKPI 'CPF'RCVEJ KPI <

C0 Ewwkpi "cpf"r cvej kpi "hqt"cm'grgevtlecn'y qtm'uj cm'dg'r gthqto gf "kp"ceeqtfcpeg'y kj "Fkxkukqp"
3qh'y gug'Ur gekhlecvkpu0

40" UNGGXGU'CPF'QRGP KPI U<

C0 Vj g'Grgevtlecn'Eapvtcevt"uj cm'r tqxkf g"cm'pgeguuct { "urggxgu"cpf "qr gpkpi u'cu"tgs wktgf "vq"
r gto k'yj g'kpucm'vkqp"qh'yj g'grgevtlecn'lu{ uvgu u0

40 " RC K V K P I <

C0 Cm'r clp'kpi "qh'grgevtlecn'y qtm'uj cm'dg'r gthqto gf "kp"ceeqtfcpeg'y kj "Fkxkukqp"; "qh'yj gug"
Ur gekhlecvkpu."wprguu"qyj gty kug'ur gekhkgf 0

40 " GNGEVTKECN'O QVQT'UVCTVGTU'CPF'XCTKCDNG'HTGS WGP E['F TKXGU'*XHF)U+<

C0 O qvt "uvtvgtu"cpf "xctkcdng"htgs wgp { "ftkxgu"*XHF)U+uj cm'dg'hwtpkuj gf "d{ "gcej "t gur gevkg"
vctf g'ht"o qvt "ftkxgp"gs wkr o gpv'r tqxkf gf "d{ "yj go 0Vj g'Grgevtlecn'Eapvtcevt"uj cm'kpucm'
yj g'uvtvgtu"cpf "XHF)U"cpf "uj cm'r tqxkf g"cm'r qy gt "y k'kpi "vq"yj g'uvtvgtu"cpf "XHF)U"cpf "
htgo "yj g'uvtvgtu"cpf "XHF)U"vq"yj g'o qvtu"yj g{ 'eqpvtqr0

D0" O qvt "uvtvgtu"cpf "XHF)U"uj cm'eqphqto "vq"tgs wktgo gpw'qh'P GE. "P GO C."WN."EUC."cpf "
CP UK'cpf "uj cm'dg'uwkcdng"ht"yj g'tgs wktgf "j qtugr qy gt."f w{."xqnci g."r j cug."htgs wgp{."
ugtxleg." cpf "nqecvkqp0 Cm'uvtvgtu" cpf "XHF)U"uj cm'dg'hwtpkuj gf "kp" P GO C" gperuwtgu"
uwkcdng'ht"yj g'gpvktqpo gpv'kp'y j lej "yj g{ 'ctg'vq'dg'nqecvgf 0

E0 Cm'uvtvgtu"uj cm'dg'qh'yj g'uco g'o cpw'xewtg"cpf "uj cm'dg'hwtpkuj gf "kp"Us wctg'F."Ewrgt/
J co o gt."I gpgtcl'Grgevtle."qt' Cmgp'Dtcf rg{ 0

F0 Vj gto cn'Qxgtrqcf u<

30' Cm' o qvtu" 31: " j qtugr qy gt " qt " ncti gt " uj cm' dg " r tqxkf gf " y kj " yj gto cn'qxgtrqcf "
r tqgev'kqp0 Vj gto cn' qxgtrqcf u" uj cm' dg" o gnkpi " cmq{ " co dlkpv' vgo r gtcwrtg"
eqo r gpuc'kpi "v{r g0

40' Vj gto cn'qxgtrqcf u"uj cm'dg"uk'gf "kp"ceeqtfcpeg'y kj "P GE"tgs wktgo gpw'ht"yj g"
pco gr xv'f'c'v'qh'yj g'o qvt *u+cu'cewcm' f'grkxgtgf "vq"yj g'ukg0 ""

G0 Uctvgtu"ht"o cpwcn'eqpvtqn'qh'ukpi ng'r j cug"o qvtu"wr "vq"qpg"*3+"j qtugr qy gt "hwtpkuj gf "
y kj qw'kpwi tcn'yj gto cn'qxgtrqcf u"uj cm'dg"eqo dlpc'kqp"o cpwcn'f'kueqppgev'uy kej "cpf "
uvtvgtu" y kj " yj gto cn' qxgtrqcf " r tqgev'kqp" hqt" gcej " wpi tqwpf gf " rgi 0 Uctvgtu" uj cm' dg"
kpqr gtedng'kh'c"yj gto cn'wpk'ku'tgo qxgf 0Vj gug'uvtvgtu'uj cm'dg'4/r qrg'cpf "uj cm'dg'r tqxkf gf "
y kj "i tggp'bgqp'r kv'v'ki j v'cpf "j cpf ng'i wctf lqem'qth0

H0 Uctvgtu"ht"yj tgg'r j cug"o qvtu"uj cm'dg'hm'n'xqnci g."ektewk'dtgcngt"eqo dlpc'kqp"o ci pg'le"
uvtvgtu0 Cm'ektewk'dtgcngt"eqo dlpc'kqp"o ci pg'le"uvtvgtu"uj cm'kpen'f'g"o gnkpi "cmq{ "v{r g"
yj gto cn'qxgtrqcf "r tqgev'kqp."ny "xqnci g"r tqgev'kqp."cpf "y q"*4+"ugw'qh'cwz'kkt { "pqto cmf "
qr gp"cpf "pqto cmf "emugf "eqp'cew0Vj gto cn'qxgtrqcf "r tqgev'kqp"uj cm'dg'r tqxkf gf "kp"gcej "
wpi tqwpf gf "rgi 0Uctvgtu"uj cm'dg'kpqr gtedng'kh'c"yj gto cn'wpk'ku'tgo qxgf 0'Cm'ektewk'

CKT'EQPFKIQPFI 'K'UVCNNCVIQOP'CV'HQWI'GNGO GPVCT['UEJ QQNU'

I NCUVQPDWT[.EQPPGEVKEW"

" " dtgcngt" eqo dlpckqp" o ci pgve" uctvgtu" uj cmi' dg" gs wkr r gf " y kj " eqpvtqn' r qy gt " ekteku0' Rtqxf g" uctvgtu" y kj " eqpvtqn' r qy gt " tcpuhto gtu" qh' ugeqpf ct { " xqnci g" tgs wkt gf " hqt" vj g" eqpvtqn' r qy gt " ektekt { 0' Rtqxf g" eqpvtqn' r qy gt " tcpuhto gtu" y kj " r tko ct { " cpf " ugeqpf ct { " hukpi 0' Vj g' f kaeqppgev' j cpf rg" qp" ektekw' dtgcngt" eqo dlpckqp" o ci pgve" uctvgtu" uj cmi' c { u" dg" kp" eqpvtqn' qh' vj g' f kaeqppgev' f gxleg" y kj " vj g' f qqt" qr gpgf " qt" emqgf 0' Vj g' f kaeqppgev' j cpf rg" uj cmi' dg" ercctn { " o ctngf " cu" vq" y j gvj gt " vj g' f kaeqppgev' f gxleg" ku" \$qp\$ " qt" \$qhf\$. " cpf " uj cmi' kpenf g" c" vq/eqmqt" j cpf rg" i tkr . ' vj g' drcemluf g' xkukdrg" kp" vj g' \$qhf\$' r qukkqp. " cpf " vj g' tgf " ukf g' xkukdrg" kp" vj g' \$qp\$' r qukkqp0'"

" " 30' Cmi' ektekw' dtgcngt" eqo dlpckqp" o ci pgve" uctvgtu" hqt" o cpwre' eqpvtqn' qh' vj tgg' r j cug" o qvqtu" uj cmi' j cxg" uctvuxqr " r wuj " dwwqpu" kp" vj g' eqxgt" cpf " uj cmi' dg" r tqxf gf " y kj " tgf " cpf " i tggp" r kqv' iki j u0'

" " 40' Cmi' ektekw' dtgcngt" eqo dlpckqp" o ci pgve" uctvgtu" hqt" cwqo cve" qt" kvgtmjenkpi " eqpvtqn' qh' vj tgg' r j cug" o qvqtu" uj cmi' j cxg" j cpf /qh/ cwqo cve" ugrgevt" uy kej gu" kp" vj g' eqxgt" cpf " uj cmi' dg" r tqxf gf " y kj " tgf " cpf " i tggp" r kqv' iki j u0'

402" DCUGU'CPF "UMRRQTVU<

" C0' Rtqxf g" cmi' pgeguuct { " uwr r qtvu. " tcku. " hco kpi . " dcugu. " cpf " r kgtu" tgs wkt gf " hqt" vj g" kpuvncvqpp" qh' gs wkr o gpv' r tqxf gf " wpf gt" vj ku' eqpvtcev0'

" D0' Wprguu' qv gty kug" uj qy p. " cmi' gs wkr o gpv' uj cmi' dg" ugewtgn { " cwcej gf " vq" vj g" dwkf kpi " utwewtg" kp" cp" ceegr wdrng" o cpggt0' Cwcej o gpw' uj cmi' dg" qh' c" utqpi " cpf " f wcdrg" pcwtg= cp { " cwcej o gpw' vj cv' ctg" kpuw' hlekgpv' kp" vj g' qr kpkqp" qh' vj g' Gpi kpggt" uj cmi' dg" tgr megf " cu' f kgevgf " cv' pq' cf f kkpqnclequ' vq" vj g' Qy pgt0'

403"" UGKUO KE"TGUVTCR VU<

" C0' Rtqxf g" ugkuo ke" tguv' tckpw' hqt" cmi' grgest' lecni' ugo " eqo r qpgpw' kp" ceeqtf cpeg' y kj " vj g" 4238" Eqppgevew' Ucv' g' Dwkf kpi " Eqf g0"

404" UNGGXGU.'R'UGTVUCPF'CP' EJ QT'DQNVU<

" C0' Vj g' Eqpvtcevqt" uj cmi' r tqxf g" cpf " uj cmi' dg" j grf " tgr qpkdrg" hqt" vj g" r qecvqpp" cpf " r qukkqp" qh' cmi' unggxgu. " kpu' gtu. " cpf " cpej qt" dqnu' tgs wkt gf " d { " j ku' y qtn0' Hckwt' g' vq" f q' uq. " y j lej " tgs wkt gu" eww' kpi " cpf " r cvej kpi " qh' h' k' kuj gf " y qtm" uj cmi' dg" f qpg' cv' pq' cf f kkpqnclequ' vq" vj g' Qy pgt0'

405" HKT'G'UVQRRR' I <

" C0' Hkt' g' uqr r kpi " y qtm' uj cmi' dg" f qpg' wpf gt' F kxkukqp' 9" qh' vj g' ug' ur gek' h' e' cv' k' pu' 0'

406" NWDTECVIQP <

" C0' Cmi' gs wkr o gpv' kpuvncgf " wpf gt" vj ku' eqpvtcev' j cxkpi " o qxkpi " r ctvu" uj cmi' cpf " tgs wkt kpi " nwdtecvqpp" uj cmi' dg" r tqr gtn { " nwdtecvgf " ceeqtf kpi " vq" vj g' o cpwre' wwt gtu' k' pu' tve' k' pu' r' t' k' q' t' vq" qr g' t' cv' k' p" cpf " v' gu' k' pi 0' Cp { " uvej " gs wkr o gpv' f kaeqxgtgf " vq" j cxg" dggp" qr g' t' cv' gf " r' t' k' q' t' vq" nwdtecvqpp" d { " vj g' Eqpvtcevqt" uj cmi' dg" uwdlgev' vq' t' gl' gev' k' p" cpf " t' gr' r' ego' gp' v' cv' pq' cf f kkpqnclequ' vq" vj g' Qy pgt0'

CKT'EQPFKIQPPI 'K'UVCNNCVIQOP'CV'HQWI'GNGO GPVCT['UEJ QQNU'

I NCUVQPDWT[.EQPPGEVKEW'

"
"

407" CEEGUURCP GNU<

" C0 Rtqxf g" ceeguu" r cpnu" hqt" grgevtkecn' gs wkr o gpv' y j lej " ku" pqv' t gcf kn' " ceeguikdr0' Uwej " gs wkr o gpv' lpenf gu' kgo u' cdqxg' j wpi " egkpi u' y j lej " ctg' pqv' t gcf kn' " tgo qxcdrg" cpf " kgo u' kpucmgf 'y kj kp' y cmu. 'lpukf g' ej cugu. 'qt' 'lpukf g' f gcf 'ecxkm' 'ur cegu0'

" D0 Ceeguu" r cpnu" uj cm' dg" qh' uwhekepv' uk' g" vq" r gto k' gcu{ " tgr mego gpv' cpf " ugtxleki " qh' grgevtkecn' gs wkr o gpv0"

" E0 Ceeguu' r cpnu' uj cm' dgct 'y g' uco g' qt' i tgcvt 'hkt' g' tcvpi 'cu' yj g' y cm' qt' egkpi 'kp' y j lej 'y g' { " ctg' kpucmgf 0'

408" QVJ GT'O CVGTICNU<

" C0" Rtqxf g" qy j gt" o cvgtkcu. " pqv' ur gekhecm' " f guetldgf " dw' tgs wktgf " hqt" c" eqo r rvg" cpf " r tqr gt" kpucmvkp. 'cu' ugrgevf " d{ " yj g' Eqvtcevqt' uwdlgev' vq' yj g' cr r tqxcn' qh' yj g' Gpi kpggt0'

" D0 Rtqxf g" o kugmcpqwu' j ctf y ctg' cpf " uwr r qtv' ceeguutkgu. " lpenf lpi " ej cpgnu. " uwr r qtv' t qf u. " pww. " dqnu. " uetgy u. " cpf " qy j gt" uwej " kgo u. " y kj " i crkcpk' gf " qt" ecf o kwo " r rvg' " h' k' u' j. " qt" qy j gt" cr r tqxgf " twv' l' p' j k' d' k' p' i " e' q' c' v' p' i u0'

RCTV5'/'GZGEWWIQP "

508" I GP GTCN<

" C0 Wprguu' ur gekhecm' " pqv' f " qt" u' j qy p' qy j gty kug. " kpucm' cm' gs wkr o gpv' cpf " o cvgtkcu' ur gekhecm' " j gtgkp' qt" u' j qy p' q' f' tcy lpi u' y j gy j gt" qt" pqv' ur gekhecm' " kgo k' gf " j gtgkp0"

504" UWT HCEG'EQPFKIQP U<

" C0 Gzco kpg' yj g' ctgcu' cpf " eqpf kkp' u' v' pf gt" y j lej " y qtm' qh' yj ku' Eqvtcev' y km' dg" r gthqto gf0" Eqttgev' eqpf kkp' u' f g' v' lo gpv' r' vq' v' ko gn' " cpf " r tqr gt" eqo r rvg' kp' " qh' yj g' y qtm0' " F q' pqv' r tqeggf " v' p' k' i' v' p' u' c' v' k' u' h' c' e' v' q' t { " eqpf kkp' u' ctg' eqttgev' gf 0'

505" RTGRCTCVIQP <

" C0 Eqqt f kpcv<

30 Eqqt f kpcv' cu' pgeguuct { " y kj " qy j gt" v' cf gu' v' q' cu' u' w' t' g' r' tqr gt" cpf " cf gs w' c' v' g' r' t' q' x' k' u' k' p' u' " kp' " yj g' y qtm' qh' yj qug" v' cf gu' hqt" kp' v' g' t' h' c' e' g' y kj " yj g' y qtm' qh' yj ku' Eqvtcev0' Gcej " Eqvtcevqt' u' j cm' h' w' t' p' k' u' j " cm' l' p' h' q' t' o' c' v' k' p' " pgeguuct { " v' q' r' g' t' o' k' y' q' t' m' q' h' y' j' g' t' v' t' c' f' g' u' v' q' " dg' kpucmgf " kp' c' u' c' v' k' u' h' c' e' v' q' t { " o' c' p' p' g' t' 0'

40' Eqqt f kpcv' f grkxgt { " qh' gs wkr o gpv' v' q' r' t' q' l' g' e' v' r' t' k' q' t' " v' q' " kpucmvkp0" Cp { " gs wkr o gpv' u' q' t' g' f " hqt" cp" gzv' p' f' g' f " r' g' t' k' q' f " qh' v' o' g' r' t' k' q' t' " v' q' " kpucmvkp" o' c { " dg' u' w' d' l' g' e' v' v' q' " t' g' l' g' e' v' k' p' d { " yj g' Qy pgt' qt' Gpi kpggt0'

- 50' Eqqtflkpcvg"vj g"lpucmckqp"qh'kgo u'y kj "vj g'uej gf wrg"htq"y qtm'qh'qyj gt"vcf gu"vq" r t g x g p v'w p p g e g u c t { " f g r { u'lp"vj g'vqcnly qtn0'
- 60' Y j gtg" grgextlecn' gs wkr o gpv' ku" uj qy p" kp" eqphkev" y kj " nqecvkqpu" qh' utwewtcr' o go dgtu'qt"qyj gt"gs wkr o gpv."rtqxf g'tgs wktgf "uwr r qtu."qhtugvu."dgpfu."qt"vgyu"cu" tgs wktgf "vq'erget"vj g'gpetqcej o gpv0'
- 70' Pq"eqpf wkv"ecdrq*uh:"dqzgu."gve0"uj cm'dg"lpucmngf"wpvki"vj g'gpvktg"twp"j cu'dggp" ej gengf "hqt"ergetcpegu"cpf "vj g'y qtm'j cu'dggp"eqqtflkpcvgf "dgy ggp"cm'vj g'vcf gu0' Gcej "vcf guo cp"uj cm'dg"tgr qpukdrq"htq"vknpi "j ku"qy p"hgri"o gcuwtgo gpv"cpf " o clpvcvklpi "r tqr gt"ergetcpeg"htqo "vj g"Qy pgtu"gs wkr o gpv"cpf "vj g'y qtm'qh'qyj gt" vcf gu."cpf "hqt"eqqtflkpcvki "j ku"y qtm'y kj "vj cv'qh'qyj gt"Eqpvtcevqtu0'Hmtpkij "cm' pgeguuct{ " kphqto cvkqp." f ko gpukqpu." vgo r r vgu." gve0' kp" qtf gt" vj cv' c" r tqr gtn" eqqtflkpcvgf "lqd'y knitguw0'
- 80' Rtkqt"vq"tqwi j lpi ."vj g"eqpvtcevqt"uj cm'qdvckp"gzcev'grgextlecn'gs wkr o gpv."hkzwtg." cpf "f gxleg"nqecvkqpu"htqo "vj g"Qy pgt0'"Gs wkr o gpv."hkzwtg."cpf "f gxleg"nqecvkqpu" uj qy p"qp"vj g"f tcy lpi u'ctg"vq"dg"vugf "hqt"i gpgtcr'nghtgpeg"qpn0'"Tqwi j lpi "qh' gs wkr o gpv."hkzwtg." cpf "f gxlegu"uj cm'pqv' r tqeggf" wpvki"vj g" gzcev' nqecvkqpu." j gli j vu."cpf "qtlgpvcvqpu"qh'luco g'j cxg'dggp"ci tggf "vr qp'y kj "vj g'Qy pgt0'
- 90' Kf'vq"nem'qh'eqqtflkpcvki"cpf "hqtguki j v'd{"vj g"Eqpvtcevqt."gs wkr o gpv'o wuv'dg" tgrnecvgf "qt"gzvc"y qtm'r gthqto gf."cm'equu"uj cm'dg"vj g"tgr qpukdrkq"qh"vj g" Eqpvtcevqt"cpf "o c{"pqv'dg'r cuugf "vj tqwi j "vq'vj g'Qy pgt0'
- D0' Wprqcf "gs wkr o gpv' cpf "o cvgtkcn" f grkxgtgf "vq"vj g"uksg0' Rc{"equv"htq"tki i lpi ."j qlvklpi ." nqy gtlpi " cpf "o qxlpi " grgextlecn' gs wkr o gpv' qp" uksg." kp" dvrkf lpi ." qt" qp" tqql0' F wklpi " eqpvtcevqt"r tqxf g'r tqvgevkqp"ci clpuv'o qkuvwtg."f wuv'ceewo wrcvqkp."cpf "r j {ulecn'f co ci g" qh'gs wkr o gpv."Rtqxf g"vgo r qtct {"j gcvtu"y kj kp"wpku"cu'tgs wktgf "vq"gxcr qtcvg"gzeguukg" o qkuvwtg'cpf "r tqxf g'xgpvkrvqpu"cu'tgs wktgf 0'
- E0' Egtvckp"r t g u g p v'dvrkf lpi "ergetcpegu"ctg"cxckrdng"htq"j cpf r lpi "gs wkr o gpv0'"Cm'gs wkr o gpv' uj cm'dg" f grkxgtgf "mpqengf "f qy p"cu'tgs wktgf "vq"erget"ur ceg'rko kvkqpu"qp"uksg"cpf "y kj kp" vj g'dvrkf lpi 0'
- F0' Wprguu"pqvgf "qyj gty kug"vj g'Eqpvtcevqt"uj cm'ugv'cm'gs wkr o gpv'rgxgn'r nwo d."cpf "ugewt g'r tkqt" vq"o cnkpi "eqppgevkqpu"vq"qyj gt"gs wkr o gpv'qt"u{vgo u0'
- G0' Fvc'lpf kcvgf "qp"vj g'f tcy lpi u'cpf "lp"vj g'ug"Ur gekhkvkqpu"ctg"cu'gzcev'cu'eqwf "dg'ugewt gf ." dw"vj gk"cdunwng"ceewtce{"ku"pqv'y ctcpvgf 0'"Vj g'gzcev'nqecvkqpu."f kncpegu."rgxgn"cpf " qyj gt" eqpf kvkqpu" y kni' dg" i qxgtpgf " d{" cewcn' eqpvtcevqt" cpf " vj g" f tcy lpi u" cpf " ur gekhkvkqpu"uj qwf "dg'vugf "qpn' hqt"i vkf cpeg'lp"uwej "tgi ctf 0'
- H0' Xgtkh{"cm'o gcuwtgo gpv'cv'vj g'dvrkf lpi 0'"Pq"gzvc"eqo r gpucvqpu"y kni'dg"cmqy gf "dgecvwg" qh'f hgtgpegu"dgy ggp"y qtm'uj qy p"qp"vj g'f tcy lpi u'cpf "cewcn'o gcuwtgo gpv'cv'vj g'uksg"qh' eqpvtcevqt0'
- I 0' Vj g'f tcy lpi u"ctg" f kci tco o cvk."dw"ctg"tgs wktgf "vq"dg" hqmqy gf "cu"erugn' "cu"cewcn' eqpvtcevqt" cpf "y qtm'qh'qyj gt"vcf gu"y kni'r gto k0'"Y j gtg" f gxlvkqpu"ctg"tgs wktgf "vq" eqphqto "y kj "cewcn'eqpvtcevqt" cpf "vj g'y qtm'qh'qyj gt"vcf gu."o cng"uwej "f gxlvkqpu" y kj qw'cf f kvkpcn'equv"vq"vj g'Qy pgt0'

VQY P'QHI NCUVQPDWT["
CKT'EQPFWKIQPFI 'R'UVCNNCVQOP'CV'HWI'GNGO GPVCT['UEJ QQNU'
I NCUVQPDWT[.EQPPGEVRE W"

'DKF % N/423:/3: "

506" CEEGUKDKW[<

" C0' Nqecv'cm'gs wkr o gpv'y j kej "o wu'dg'ugt'xlegf ."qr gtcv'gf "qt"o cl'p'v'k'p'g'f ."kp"hw'f{"ceegukdng"
r quk'k'p'u" k'p'w'f k'p'i "dw"p'q'v' r'o k'g'f "v'<'e'q'p't'q'm'g'u"o q'v't"u'c't'v'g'u" f k'ue'q'p'p'g'e'v' u'y kej gu."
v't'c'p'u'h't'o g't'u" r'c'p'g'r'l'q'c't'f'u" u'y kej i g'c't." g'w'e'0' " R't'q'x'k'f'g'" ceegu" r'c'p'g'u" cu" t'g's'w'k't'g'f" h'q't"
g's'w'k'r' o' g'p'v'ceegu0"

" D0' H'c'k'w't'g"d{" 'j' g'"E'q'p't'c'e'v'q't"v'q"n'q'ec'v'g'"g's'w'k'r' o' g'p'v'c'p'f" c't't'c'p'i' g'"j' g'"k'p'u'c'm'v'k'p'v'q"cm'q'y "h'q't"
c'f'g's'w'c'v'g'"ceegu"c'p'f"e'ng'c't'c'p'eg'h'q't"o'c'l'p'v'g'p'c'p'eg"c'p'f"u'g't'x'k'e'k'p'i" 'u'j' c'm'l'g'u'w'm'k'p't'g'l'g'e'v'k'p'p'q'h'v'j' g'"
k'p'u'c'm'v'k'p'p'c'p'f" 'j' g'f'k'c'u'g'o' d'n'f' .t'g'r'q'ec'v'k'p'p'c'p'f"t'g'/c'u'g'o' d'n'f'{"q'h'v'j' g'"k'p'u'c'm'v'k'p'p'u'j' c'm'l'd'g'f'q'p'g'
d{" 'j' g'"E'q'p't'c'e'v'q't"v'p'q'c'f'f'k'k'q'p'c'n'l'e'q'u'v'v'q" 'j' g'"Q'y' p'g't'0'

507" ENGCPFI 'CPF 'RTQVGEVFI 'RRRPI .EQPFWKUCPF 'GS WRO GPV<

" C0' Vj qtqwi j n' "engcp"cm'r k'p'i ."eqpf wk" c'p'f "gs wkr o gpv'qh'cm'hqtgki p'uwducpegu'k'p'k'f'g'c'p'f "
q'w'w'd'g'h't'g'k'p'u'c'm'v'k'p'p'0'

" D0' R'w'i "qr gp" r k' g' c'p'f "eqpf wk" g'p'f u' f v'k'p'i "eqp'ut'w'e'v'k'p'p" y k'j "c'r r't'q'x'g'f" r'w'i u"qt"e'c'r u'v'q"
g'z'e'n'f'g'f'w'u'v'."o'q'l'u'w't'g'."r'w'u'g't"q't"o'q't'v'c't"g'w'e'0'P'q'v'g'/"w'u'k'p'i "f'w'e'v'c'r'g'v'q"e'q'x'g't"e'q'p'f'w'k'c'p'f"
r'k'g'g'p'f'u'k'u'p'q'v'c'p'c'e'e'g'r'v'c'd'g'g'."o'g'c'p'u'q'h'g'z'e'n'f'k'p'i "e'q'p'ut'w'e'v'k'p'p'f'g'd't'k'u'c'p'f"o'c{"t'g'u'w'm'k'p"
t'g'l'g'e'v'k'p'p'q'h'v'j' g'"k'p'u'c'm'v'k'p'p" y k'j "t'g'o'g'f'k'e'n'c'e'v'k'p'p'v'q"dg"v'c'n'g'p"d{" 'j' g'"E'q'p't'c'e'v'q't"v'p'q'
c'f'f'k'k'q'p'c'n'l'e'q'u'v'0'

" E0' K'k'p{"r'c't'v'q'h'c'c'eq'p'f'w'k'v'u'f'v'g'o' 'u'j'q'w'f' "d'g'd'm'q'eng'f'd{"c'p'f'{"h'q't'g'k'i'p'."o'c'w'g't'c'h'g't'd'g'k'p'i'r'r'c'e'g'f"
k'p"qr'g't'c'v'k'p'p." 'j' g'"u'f'v'g'o' "u'j'c'm'l'dg" f'k'ue'q'p'p'g'e'v'g'f"e'ng'c'p'g'f" c'p'f"t'g'e'q'p'p'g'e'v'g'f" y j'g't'g'x'g't"
p'g'e'g'u'c't{"k'p"q't'f'g't"v'q"n'q'ec'v'g" c'p'f"t'g'o'q'x'g'"j' g'"q'd'u't'w'e'v'k'p'p'p'u'0'"C'p{"y'q't'm'l'f'c'o'c'i'g'f'k'p" 'j' g'"
e'q'w't'g'q'h't'g'o'q'x'k'p'i "q'd'u't'w'e'v'k'p'p'u'uj'c'm'l'd'g't'g'r'c'k'g'f"q't"t'g'r'r'e'g'f"v'p'q'c'f'f'k'k'q'p'c'n'l'e'q'u'v'v'q" 'j' g'"
Q'y' p'g't'0'" " "

508" VGUVRPI 'CPF 'RURGEVIQP <

" C0' R't'q'x'k'f'g'r'g't'u'q'p'p'g'n'c'p'f" 'g's'w'k'r' o' g'p'v'."o'c'n'g'"t'g's'w'k't'g'f" 'v'g'u'v'."c'p'f" 'u'g'e'w't'g'"t'g's'w'k't'g'f" 'c'r' r' t'q'x'c'm' 'h't'q'o' "
i'q'x'g't'p'o' g'p'v'e'n'i'c'i' g'p'e'l'g'u'j' c'x'k'p'i "l'w't'k'uf'k'e'v'k'p'p'0'

" D0' Y j gp" o'c'v'g't'k'e'n' c'p'f'k'q't" y'q't'n'o'c'p'u'j'k'r" k'u" h'q'w'p'f" v'q" p'q'v' e'q'o'r'n'f" y'k'j" 'j' g'"u'r'g'e'l'h'k'g'f"
t'g's'w'k't'g'o'g'p'v'u."y'k'j'k'p" 'j' t'g'g'f'c'f'u'c'h'g't"t'g'e'g'k'r'v'q'h'p'q'v'k'g'q'h'u'w'e'j"p'q'p'/e'q'o'r'n'k'c'p'eg"t'g'o'q'x'g'"j' g'"
p'q'p'/e'q'o'r'n'f'k'p'i "k'g'o'u' 'h't'q'o' "j' g'"l'q'd"u'k'g'c'p'f"t'g'r'r'e'g'"j' g'o' "y'k'j' "k'g'o'u'e'q'o'r'n'f'k'p'i "y'k'j" 'j' g'"
u'r'g'e'l'h'k'g'f"t'g's'w'k't'g'o'g'p'v'u."c'm'l'c'v'p'q'c'f'f'k'k'q'p'c'n'l'e'q'u'v'v'q" 'j' g'"Q'y' p'g't'0'

" E0' R'g't'h'q't'o' "c'm'l't'g's'w'k't'g'f" 'c'f'l'w'u'o'g'p'v'u" c'p'f" 'u'g'w'k'p'i' u'0'"X'g't'h'k'f" 'c'p'f" 'e'q't't'g'e'v'c'p'f' "f'g'h'e'l'g'p'e'l'g'u" 'c'u"
t'g's'w'k't'g'f'0'

" F0' R't'q'x'k'f'g'c'm'l'p'g'e'g'u'c't{" 'v'g'u'k'p'i' 'g's'w'k'r' o' g'p'v'0'

" G0' K'p' 'j' g'"Q'y' p'g't'0' 'R't'g'g'p'eg'<

" 30' V'g'u'v'c'm'l'r'c't'w'q'h'v'j' g'"g'r'g'e'v't'k'e'n'l'u'f'v'g'o' "c'p'f"r' t'q'x'g'v'j'c'v'c'm'l'u'w'e'j' "k'g'o'u'r' t'q'x'k'f'g'f'w'p'f'g't"
" 'j' k'u' 'U'r'g'e'l'h'k'ec'v'k'p'p'h'w'p'e'v'k'p'p'g'r'g'e'v't'k'e'm'l'k'p' 'j' g'f'g't'g's'w'k't'g'f' "o'c'p'p'g't'0'

"

"

50" RTQLGEV'EQO RNVIQP <

"

C0 W'qp"eqo r ngvqp"qh'y g'y qtm'tgo qxg'cm'y cug.'twddkuj "cpf"qvj gt'o cvgtkcn'ngw'cu'c'tguwn' qh'qr gtcvqpu'cpf'ngcxg'y g'r tgo kugu'kp'ergcp'eqpf kkp0

"

D0 Vj qtwi j n' " ergcp" cm' g'zr qugf " r qtwkpu" qh' y g" o gej cplecn' cpf " grgvtlecn' kpucm'vqpu." tgo qxkpi "cm'tcegu'qh'uqkn'ncdgn.'i tgcug.'qkn'cpf"qvj gt'htgki p'o cvgtkcn'cpf "wukpi "qpn' "y g" v'r g'ergcpgt'tgeqo o gpf gf "d{ 'y g'o cpw'cewtgt'qh'y g'kgo 'd'gkpi "ergcpgf 0

"

E0 Xcewo "cm'gzvgtkqtu"qh'gs wkr o gpv'cpf "kpvtkqtu"qh'gs wkr o gpv'j cxkpi "ceeguukdrg'kpvtkqt' eqo r ctwo gpv'u'q'tgo qxg'cm'f wuv.'f kv.'ecdrg'erkr kpi u."eqpustvevqpf'f gdtku.'gve0

"

F0 Gs wkr o gpv'y kj "f co ci g'v'q'r ckpvf'hpukj 'uj cm'dg'tgr cktgf "v'ucvukcevkp"qh'y g'Qy pgt0

"

G0 W'qp"eqo r ngvqp"qh'cm'y qtm'cpf"qh'cm'vguvu."y g'Eapvtcevt"uj cm'hwtpkuj "y g"pgeguact {" unkn'gf'ncdqt'cpf'j grn'gtu'ht'qr gtcvki "y g'u'ugoo "cpf'gs wkr o gpv'ht'c'r g'kqf'qh'qpg*3+'f c {" qt'gki j v*: +j qwtu."qt'cu'qvj gty kug'ur gek'kgf 0'F v'kpi "y ku'r g'kqf ."kpustvev'y g'Qy pgt'qt'j ku' tgr t'gugpv'v'xg" hwm' " kp" y g" qr gtcvqpu." cf lwuwo gpv' cpf " o ckpv'gpcpeg" qh' cm' gs wkr o gpv' hwtpkuj gf 0'"I kxg'cv'ngcu'htv'gki j v*:6: +j qwtu'p'q'v'eg"v' y g'Qy pgt'kp'cf xcpeg"qh' y ku' r g'kqf 0

"

H0 Vj qtwi j n' "kp'qev'kpcv'g'y g'Qy pgt'qr gtcvqpu"cpf "o ckpv'gpcpeg'r gtuqppgn'kp'y g'eqpv'gpv'u' qh' y g" tgeqtf " f tcy kpi u" cpf " y g" qr gtcvqpu" cpf " o ckpv'gpcpeg" o cpw'cn' tgs wktgf " v' dg" uwdo kwgf "w'pf gt'y g'g'U'gek'kecvqpu0

"

50 " " K UVTWEVIQP 'RGTIQF <

"

C0 Rtgr ctg'y tkwgp'kpustvevqpf'htco gu'ht'v'j g'r tqr gt'o ckpv'gpcpeg'cpf"qr gtcvqpu"qh'cp {"ur gek'cn' gs wkr o gpv'hwtpkuj gf "cpf'kpucm'gf'w'pf gt'y ku'Eapvtcevt0

"

D0 Vj g'eqpvtcevt"uj cm'ctt'cpi g'ht' "qp'ukg"kpustvevqpu"qh' y g" Qy pgt'v' tgr t'gugpv'v'xg'u" d {" o cpw'cewtgtu" qh' cm' o clqt " kgo u" qh' gs wkr o gpv'0 " Vj g' kpustvevqpu" r g'kqf u" uj cm' dg" eqpugew'xg'cpf "uj cm'dg"j grf "chgt "y g'kpucm'vqpu'ctg'eqo r ngv'."vguv'f'cpf "dcrcpegf "cpf " y g" cr r tqxgf " f qewo gpv'v'qpu" ku' cxck'ndrg'0 " Vj g' eqpvtcevt" uj cm' dg" t'gur qpukdrg' ht' " cvgpf cpeg"qh' y g" o cpw'cewtgt'v'gej plecn'tgr t'gugpv'v'xg'u"cpf "uj cm'eqqtf kpcv'g'r tqi tco " wo kpi 'y kj 'y g'Qy pgt0

"

E0 K'cf f kkp"v'p'qto cn'qr gtcvqpu."y g'Qy pgt'v' tgr t'gugpv'v'xg'u'uj cm'dg'kpustvev'gf "qp't'q'w'k'p'g" o ckpv'gpcpeg'cpf't'q'v'drg'uj q'v'kpi 0

"

"

"

GP F 'QH'UGEVIQP "48"22"22"

"

"

VQY P'QHI NCUVQPDWT[" "
CKT'EQPF KIKPFI 'K UVCNNCVIQP'CV'HWI'GNGO GPVCT['UEJ QQNU'
I NCUVQPDWT[.EQPPGEVKE W"

'DKF % N/423:/3: "

UGEVIQP '48'27'22'/'DCUE'GNGEVTKECN'O CVGTICNU(' 'O GVI QF U"

RCTV'3'/'I GP GTCN"

308" TGNCVGF 'F QEWO GP VU<"

C0 Vj g" Dkf f lpi "Tgs wkt go gpw." Eqptcev' Hqto u" cpf "Eqpf kkkpu" qh' vj g" Eqptcev" kpenw lpi "
I gpgtcn' Eqpf kkkpu" qh' vj g" Eqptcev' hqt" Eqputwvqp." cpf " Fkkkkp" 3" /" I gpgtcn'
Tgs wkt go gpw. "cr r n{ "v' vj g'y qtn'ur gekkgf 'lp' vj ku' Ugevqp0"

D0 Ugevqp'482222'I gpgtcn'Eqpf kkkpu."cpf "482222'I gpgtcn'Grgvtkecn'uj cni'cnuq'i qxgtp'vj g"
y qtn'wpgt' vj ku' Ugevqp0"

E0 Vj ku' Ugevqp' kpenw gu' tgs wkt go gpw' vj cv' ct' g' dlpf lpi "qp' vj gt' Ugevqp' qh' F kkkp0"

F0 Gzco kpg" cni' f tcy lpi u. "f cvc." cpf "eqqt f kpcvg" vj g'y qtn' qh' vj ku' Ugevqp" y kj "cni' tgrvfg " cpf "
cf lqk lpi "y qtn0"

304" UEQRG<"

C0 Ueqr g' qh' y qtn' eqpukuu' qh' kpuvcnvqp' qh' o cvgtkcn' v' dg' hwtpluj gf "wpgt' vj ku' Ugevqp. "cpf "
y kj qw' rko k lpi "i gpgtcn' vj gtgq' eqpukuu' qh' hwtpluj lpi " rcdqt. "o cvgtkcn. "gs wkr o gpv."
j qkv lpi. "r rcpv." wcpur qtwvqp. "tki i lpi. "uci lpi. "cr r wvpcpegu. "cpf "ugt xlegu" pgeguct {
cpf lqt' kpef gpvcn' v' r tqr gtn' "eqo r rvg" cni' grgtkcn' y qtn' cu' u' j qy p" qp" vj g' f tcy lpi u. "cu"
f guet kdgf "lp' vj gug" ur gekkgf vqp' qt' cu' tgeuqpcdn' "kphgtt' gf "ht qo "gkj gt' cu' dglpi "tgs wkt gf "
lp' qr kpkp' qh' vj g' Qy pgt0"

D0 Y qtn' kpenw gf <" Rtqxf g" eqo r rvg" grgtkcn' ugt xlegu" y j gtg' u' j qy p" qp" vj g' f tcy lpi u. "cu"
ur gekkgf "j gtglp" cpf "cu" pggf gf "hqt" c" eqo r rvg" cpf "r tqr gt" kpuvcnvqp' kpenw lpi "dw" pqv'
pgeguct k' rko kgf "vq<"

- " " 30' I gpgtcn'
- " " 40' Eqpf wku' ("Tcegy c { u"
- " " 50' Gs wkr o gpv' Ncdgr lpi "
- " " 60' Y kt g' cpf " Ecdrgu"
- " " 70' Tgegr vcergu"
- " " 80' Qwrgv' Dqzgu. 'Lwpevqp' Dqzgu. 'Rwni Dqzgu"
- " " 90' Ecdlpgw"
- " " : 0' F kueqppgev' Uy ke j gu"
- " " ; 0' Uwr r qt v lpi 'F gxlegu"
- " " 320' I tqwpgt lpi "
- " " 330' Dceni qctf u"

305" SWCNK['CUUWTCPEG<"

C0 Tghgt' vj Ugevqp' 4822220"

DCUE'GNGEVTKECN'O CVGTICNU(' 'O GVI QF U".....'48'27'22'6'3"

CKT'EQPFKIQPFI 'K UVCNNCVQOP'CV'HQWI'GNGO GPVCT['UEJ QQNU'

I NCUVQPDWT[.EQPPGEVKEW"

306" UWDO KVCNU<

"

C0 Uj qr 'F tcy kpi u<Uwdo k/hqt'cmksgo u'hkngf 'kp'Rctci ter j '304(D0'

"

"

RCTV'4"/'RTQFWEVU'

"

408" I GP GTCN<

"

C0 Rtqxf g'qpn{ "o cvgtknu"vj cv'ctg'pgy "cpf "qh'v{ r g"cpf "s wcrk{ "ur gekkfgf ."qt"cr r tqxgf "gs wcr0"
Y j gtg" Wpf gty tkgtuø' Ncdqtcvqtkgu " kpe0' j cxg" gucdrikj gf " ucpf ctf u" hqt" uwej " o cvgtknu."
r tqxf g'qpn{ "o cvgtknu'dgctkpi "vj g'WN'rdgr0'

"

D0 Rtqxf g'o cvgtknu"cpf "gs wkr o gpv'pgeguuct { "vq"o cmg"kpucmrvkqp"eqo r rvgv"kp"gxgt { "f gvckn"
cpf " vq" eqphqto " vq" o cpwxcwvgtuø' rvguv' kpucmrvkqp" kputwvkvpu." wpf gt " vj ku" eqpvcev"
y j gvj gt "qt"pqv'ur gekkcm{ "uj qy p'qp" f tcy kpi u'qt"ur gekkfgf "j g'gkp0'

"

404" VGO RQTCT['HCEKIKVIGU<

"

C0 Tghgt "vq"vj g'tgs wktgo gpw'qh'F kkkukqp'3'tgi ctf kpi "vgo r qtct { 'hcekrkkgu0'

"

D0 Uechhqr kpi " cpf " qvj gt " vgo r qtct { " eqputwvkvqp"uj cm' dg" tki kf n{ " dwkn" kp" ceeqtf cpeg" y kj "
Nqecni'cpf "Ucvg'tgs wktgo gpw0" Tgo qxg'htqo " r tgo kugu'wr qp"eqo r rvgvqp'qh'y qtn0'

"

E0 Rtqxf g' vgo r qtct { " eqputwvkvqp" tgs wktgf " hqt" grgevtkecn' y qtn'cu" f ktgevgf " d{ " vj g" Ctej kgev"
cpf " Gpi kpggt0'

"

405" TCEGY C[U<

"

C0 Tki kf "UvggnEqpf vkw<

"

30' Uj cm'dg'o cpwxcwvgtf 'htqo 'j ki j 'utgpi vj 'utkr 'uvgn'uj cm'dg'j qv'f kr r gf 'i ckrckp k gf "
y kj "vj tgc f u'i ckrckp k gf "chgt'ewwki . "cpf "uj cm'dg'ej tqo cvgf "vq'htqo "cp"cf f kkkqpcn'
r tqgcvkxg" r { gt0' " Tki kf " uvgn" eqpf vku" uj cm' dg" WN' rkngf . " uj cm' o gg' vj g"
tgs wktgo gpw'qh'CP UKE: 208." cpf "uj cm'dg'cu"o cpwxcwvgtf "d{ "Cmkfg "Vwdg"cpf "
Eqpf vkw."Y j gcvrpf . "qt"Ecreeqpf vkw0'

40' Uj cm'dg'wugf "kp"qwf qqt"mjecvkvpu"y j g'g"eqpf vkw'ku"gzr qugf "vq"r j { ukecn'f co ci g."
uwpki j v'qt'y gcvj gt0'

"

50' Uj cm'dg'wugf 'hqt'w'pf gti tqw'pf 'y qtn0'

"

60' Uj cm' dg" wugf " hqt" j qt k qpvcn' cpf " xgtvkecn' w'pf gti tqw'pf " uy ggr u." j qt k qpvcn' cpf "
xgtvkecn'uy ggr u'dgruy "eqpetgvg'urcdu." cpf "hqt" r gpgvkvkvpu'vj tqwi j "eqpetgvg'urcdu0'

"

70' Hkvkpi u."eqwr rpi u"cpf "eqppgevqtu"uj cm'dg'vj tgc f gf "cpf "i ckrckp k gf "qt"ecf o kwo "
r rvgf 0'

"

D0 Tki kf "RXE'Eqpf vkw<

"

30' Uj cm'dg'j gcx { "y cm'uej gf wv'62"RXE"ht'w'pf gti tqw'pf "y qtn'cpf "gzv'c"j gcx { "y cm'
uej gf wv": 2"RXE"ht'w'pf gti tqw'pf "y qtn'dgruy "xgj lewv'ct'vchle'ctgcu0'
Lqkpu'cpf "hkvkpi u'uj cm'dg'uqkxgpv'y grf gf "cm'vq'CUVO "ucpf ctf u'ht'w'pf gti tqw'pf "
kpucmrvkqp"cpf "kp"ceeqtf cpeg'y kj "Ct vker'574'qh'vj g'P cvkqpcn'Grgevtke'Eqf g0'

"

"

40' O c{ 'dg'wugf 'lp'ldgw'qh'tki kf 'uvggn'eqpf wks'hqt 'wpf gti tqwpf 'y qtmigzegr v'cu'pqvgf 'kp' r rctci ter j '405.'C.'6'cdqxxg0

50' Vj g'o kpklo wo "uk g'hqt"twppkpi "dgrny "urcdu"uj cm'dg"3"3160'hqt"dqj "hggf gtu"cpf " dtepej "ektewku0

" " 60' Iqkpw'uj cm'dg'o cf g'y cvgtki j v0

" " 70' Uj cm'pqv'dg'go dgf f gf 'kp'eqpetgvg'urcdu0

" " 80' Uj cm'pqv'dg'wugf 'cdqxxg'i tqwpf 0

" " 90' Uj cm'pqv'dg'wugf "hqt"wpf gti tqwpf "j qtk qpvcn'cpf "xgtwecnl'uy ggr u."j qtk qpvcn'cpf " xgtwecnl'uy ggr u'dgrny "eqpetgvg'urcdu."qt'hqt'r gpgwcvkqpu'vj tqwi j 'eqpetgvg'urcdu0

" " : 0' Hwtpkij 'eqpf wks'u{ uvgv 'kp'Rtko g.'Ecpvgz."qt'LO 'Gci ng0

" " ; 0' Hgzkdrg'RXE"eqpf wks*GP V+uj cm'pqv'dg'wugf 0

" E0' Kpvtgto gf kcvg'UvggnEqpf wks<

30' Uj cm' dg" o cpwxcwtgf "htqo " j ki j " utgpi vj " hrnv" uvggn' vj cv' ku" eqrf /hqtg gf " cpf " gngextkcm{ 'y grf gf 'kp'q'c'wpkhtqto "wdg.'uj cm'dg'j qv'fkr r gf 'i cixcpk gf 'y kj 'vj tgcfu" i cixcpk gf "chgt"ewwkpj ."cpf "uj cm'dg"ej tqo cvgf "vq"htqto "cp'cf fklkqpcn'r tqvgexg" r { gt0'Kpvtgto gf kcvg'uvggn'eqpf wks'uj cm'dg'WN'rkvugf."uj cm'o ggv'vj g'tgs wktgo gpw'qh' CP UK E: 208." cpf " uj cm' dg" cu" o cpwxcwtgf " d{ " Cmkgf " Vwdg" cpf " Eqpf wks" Y j gcwrcpf ."qt'Ecreqpf wks0

40' Uj cm'dg'wugf 'lp'kpvtkqt'neqcvkqpu'y j gtg'eqpf wks'ku'gZR qugf "vq'r j { ukecnlf co ci g."qt" eqttqukxg'qt'y gv'gpxktqpo gpw0

50' Hskkpi u."eqwr rkpi u'cpf "eqppgevqtu"uj cm'dg"vj tgcg gf "cpf "i cixcpk gf "qt"ecf o kwo " r rrvgf 0

" F0' GngextkcnlO gvcnle"Vwdkpi <

30' Uj cm' dg" o cpwxcwtgf "htqo " j ki j " i tcf g" o kf " utkr " uvggn" uj cm' dg" j qv' fkr r gf " i cixcpk gf ."cpf "uj cm'dg"ej tqo cvgf "cpf "rces wgtgf "vq"htqto "cf fklkqpcn'r tqvgexg" r { gt0'GO V'eqpf wks'uj cm'eqphqto "vq"WN'9; 9"cpf "CP UK E: 205"cpf "uj cm'dg"cu" o cpwxcwtgf "d{ "Cmkgf "Vwdg"cpf "Eqpf wks"Y j gcwrcpf ."qt'Ecreqpf wks0

40' Eqppgevqtu'cpf "eqwr rkpi u'uj cm'dg"i cixcpk gf "uvggn'ugv'uetgy "v{r g0'Rtqxlk g"i rcpf " eqo r tguukqpv'v{r g'eqwr rkpi u'cpf "eqppgevqtu'htq"gzr qugf "y qtmikp'y gv'neqcvkqpu0

50' Uj cm' dg" wugf " hqt" cm' kpvtkqt" hggf gtu" gzege v' y j gtg" pqvgf " fklkgt gpw{ " qp" vj g" f tcy kpi u0' Rtqxlk g" kpuwrcvgf " vj tqcv" i tqwpf kpi " dwuj kpi u" hqt" cm' hggf gt" eqpf wks' eqppgevqtu'vq'uy kej dqctf u."r cpgrdqctf u."f kveqppgev'uy kej gu."y ktgy c{ u."cpf "r wni' dqzgu0

60' Uj cm'dg'wugf "hqt"cm'kpvtkqt"y ktkpi "kp"o cuqpt { "r ctwklkqpu."cdqxxg'pqp/ceeguukdrg" egktpi u."cpf "y j gtg'gzr qugf "vq'xlgy 0

70' Uj cm' dg" wugf " hqt" cm' dtepej " ektewks" j qo gtwpu" cpf " erukpi " eqppgevqtu" vq" r cpgrdqctf u0'F q'pqv'wug'V{r g":O E0'ecdrq'htq'y ktkpi "gzr qugf "vq'xlgy ."kp"o cuqpt { " r ctwklkqpu."cdqxxg'pqp/ceeguukdrg"egktpi u."qt'hqt"dtepej "ektewks'j qo gtwpu0

80' Uj cm'dg'wugf "hqt"cm' dtepej "ektewku" hggf kpi "J XCE"gs wks o gpv'cpf "gs wks o gpv' tgs wktkpi "5/Rj cug'r qy gt0

" " 90' Uj cm'pqv'dg'go dgf f gf 'kp'eqpetgvg'urcdu0

" G0' Hgzkdrg'UvggnEqpf wks<

30' Uj cm'dg'hwn'y cm'uvggn'hzgkdrg'eqpf wks."uj cm'dg"o cpwxcwtgf "htqo " j ki j " i tcf g" utkr "uvggn'cpf "uj cm'dg'j qv'fkr r gf 'kp'c"o qnqp"l kpe'dc vj 0'Vj g'uvggn'utkr "uj cm'dg"

CKT'EQPFKVKPFI 'K'UVCNNCVKQP'CV'HQWI'GNGO GPVCT['UEJ QQNU'

I NCUVQPDWT[.EQPPGEVKEW'

" "

" hqto gf "kpq"kpvtmenkpi "eqpxqmwkpu"vj cv'ctg"eqpvpwqwan["lqkpgf ."o gvcn'vq"o gvcn" cuuwtkpi "eqpvpwqwu"i tqwfpkpi "eqpveo'Hgzkdrg"uvgn'eqpf vkw'uj cmi'dg"WN"rkugf " cpf "uj cmi'dg"cu"o cpwrcwctgf "d{ "CHE"Ecdrng"U{ ugo u."I tggphkgrf ."Cpceqpf c."qt" GrgvtkHgzO'

40' Hgzkdrg"uvgn'eqpf vkw'hkwpki u"uj cmi'dg" | kpe"r rvcgf "o cmgcdrg"ktqp" us wgg| g"v{ r g" eqppgevqtu'cpf " | kpe"r rvcg'o cmgcdrg'ktqp"eqo dlpcvqp"eqwr rki u"

50' O c { "dg"wgf "kp"uj qtv'rgpi vj u'y j gtg"GO V"ecppq'v'dg"kpucmgf "f wg"vq"kpvtgthgpegu" cpf "qduvcenguO'"

60' Rtqxf g"ht "hpcn'eqppgevqtu"vq"o qvqt "f tkxgp"gs wkr o gpv."tcpuhtqto gtu."tgeguugf " rki j v'hzwtgu."ej clp"j wpi "rki j v'hzwtgu."qt"y j gtg"uwlge'v'q'xkdtcvkqpO'

"

" HD Nks wkf vki j v'Hgzkdrg'Uvgn'Eqpf vkw<

"

30' Uj cmi'dg"uko krc'vq"hgzkdrng"uvgn'eqpf vkw."dw'y kj "r tguuvtg/gzvtwfgf "o qluwtg"cpf " qkr tqqh"qwg't"lcengv'qhi' t c { "r qn' xkp { n'ej mtkf g'r rucwkeO'Nks wkf vki j v'Hgzkdrg"uvgn' eqpf vkw'uj cmi'dg"WN"rkugf "WN"582+'cpf "uj cmi'dg"cu"o cpwrcwctgf "d{ "CHE"Ecdrng" U{ ugo u."Cpceqpf c."qt"GrgvtkHgzO'

40' Hkwpki u."eqwr rki u"cpf "eqppgevqtu"uj cmi'dg"vj tgcg'gf ." | kpe"r rvcgf ."o cmgcdrg"ktqp" rks wkf vki j v'v{ r gO'

50' Rtqxf g"y j gtg"m'ecv'gf "qwf qqtu"qt"kp"fc o r "qt"y gv'ctgcu"htq" hpcn'eqppgevqtu"vq" o qvqt "f tkxgp"gs wkr o gpv."qt"y j gtg"uwlge'v'q'xkdtcvkqpO'

60' Fq'pq'v'wg'kp"gp'xk'qpo gpvc'f'ct' r'rgpwo "ur ceguO'

"

" " I O' Urgxgu<

"

" " " 30' Rtqxf g'GO V'urgxgu'htq"gej "eqpf vkw'cpf "ecdrng'r cuukpi "vj tqwi j "kpvtkqt"y cmu."" r ct'v'k'qpu."cpf "h'qqtuO'

" " " " cO' Ugv'r kr g'urgxgu'kp'r r'ceg"dghq'g'y cm'h'qqt."qt"r ct'v'k'q'ku'h'k'kuj gf O'"

" " " " dO' Uwr r qtv'eqpf vkw'cpf "ecdrng'h'gg'h'qo "urgxguO'

" " " " eO' Rtqxf g'urgxgu'vy q'r kr g'uk' gu'rc'gt' "vj cp'vj g'eqpf vkw'qt"ecdrng'r cuukpi "" vj tqwi j ."qt"r tqxf g'c'o k'p'o wo "qh" o'er'g'ct'pegO'

" " " 40' Rtqxf g'ej tqo g'r rvcgf "gu'ewej gqp'r rvcgu'htq"gej "urgxg'y j gtg"gzr qugf "v'x'kgy "kp"" h'k'kuj gf "ct'gcuO'

" " " 50' Rtqxf g'I RV'k'f w'ut'kgu'Y UI "i c'x'c'p'k' gf "uvgn'y cmi'urgxgu'htq"gej "eqpf vkw"" r cuukpi ""vj tqwi j "h'q'w'f'cv'k'p"y cmuOI c'x'c'p'k' gf "uvgn'y cmi'urgxgu'uj cmi'dg"uej gf wrg"" 62"uvgn'r kr g'kp""uk' gu'vj tqwi j "32o'f'kco gvt"cpf "uj cmi'j cxg"c"2097o'y cmi'vj k'eng'uu"" h'q'uk' gu'34o'f'kco gvt"" cpf "rc'gti gtOY UI "i c'x'c'p'k' gf "uvgn'y cmi'urgxgu'uj cmi'j cxg"" c'4o'eqm'et "y cvgt "uvqr "+cv'vj g'o kf /r q'kp'v'q'h'vj g'urgxgO'Vj g'4o'eqm'et "uj cmi'dg"" eqpvpwqwan["y gnf gf "qp'dqj "uk'f gu'v'q'vj g'urgxgO'Rtqxf g'I RV'k'f w'ut'kgu'N'k'p'm'U'g'cn' o qf w'ct "y cvgt r tqqh'ug'cn'c'v'c'ni'h'q'w'f'cv'k'p"y cmi'urgxguO'Y j gtg'r g'p'g'v'c'v'k'pi "" g'z'k'k'pi "h'q'w'f'cv'k'p"y cmu'r tqxf g'c'eqt'g'f'k'ng'f "r g'p'g'v'c'v'k'p"cpf "N'k'p'm'U'g'cn'"" o qf w'ct "y cvgt r tqqh'ug'cn'y kj qw'vj g'i c'x'c'p'k' gf "uvgn'y cmi'urgxgO'

"

" J O' Uwthceg'Uvgn'Y k'gy c{<

"

30' Y k'gy c{u"uj cmi'dg"eqf g'i cwi g'i c'x'c'p'k' gf "uvgn"o cpwrcwctgf "uc'p'f'ctf "uge'v'k'p'u" cpf "hkwpki u."y kj "j k'pi gf "cpf lqt"uetgy "eqxgtu."k'p'f'q'qtu"PGO C"V{r g"31Qw'f'q'qtu" PGO C"V{r g"5T."cpf "uj cmi'dg"o cpwrcwctgf "d{ "J q'f'ho cp."Eqqr gt."Us wctg"F."qt" Y k'go q'f'0Y k'gy c{u"uj cmi'dg"uk' gf "vq"eqf g'eqpf vevqt"hk'ni't'gs w'kt'go gp'u"cpf "uj cmi' dg'r tqxf gf "cu't'gs w'kt'gf "htq"l'qd'eqpf k'k'p'uO'

"

"

48" O QVQT"UVCTVGT IF KUEQPP GEVUCPF "XHF AU"

"

C0 Eqp dlpcvkqp"o qvt" uctvgt lf kueqppgevu" cpf " xctkcdng"ltgs wgp{ " f tkxgu" *XHF au+" y kn" dg" uwr r nkgf "d{ "qyj gt "tcf gu'hqt"o qvt "f tkxgp"gs wkr o gpv'r tqxkf gf "d{ "yj go 0"

"

D0 Vj g"grgextecn'eqpvtcevqt"uj cm'lpucm'ij g'uuctvgt lf kueqppgevu"cpf "XHF au."cpf "uj cm'r tqxkf g" cm'r qy gt "y ktkpi "q'ij g'wpku"cpf "ltqo "ij g'wpku"q'ij g'o qvtu'ij g{"eqpvtqr0"

"

49" EQPFWEVQTU<

"

C0 Eqp wvqtu" uj cm' dg" r tqxkf gf " kp" Egttq" Y ktg" O cpwbcwgt" qt" eqo r ctdng" r tqf wv' kp" Uqwj y ktg"qt "Tgr wdrlk "Y ktg0"

"

D0 Cm'hggt "eqpf wvqtu"uj cm'dg"eqr r gt "tcvgf "822"xqnu."; 2"f gi 0'E0"f t {"cpf "y gv"mccvqpu." V{r g'ZJ J Y /4."eqmt"eqf gf 0"

"

E0 Cm'dtcej "rki j vpi "cpf "r qy gt "eqpf wvqtu"uj cm'dg"eqr r gt "tcvgf "822"xqnu."; 2"f gi 0'E0"f t {"cpf "y gv"mccvqpu."V{r g'ZJ J Y /4."eqmt"eqf gf 0"

"

F0 I tqwplpi " grgextqf g" eqpf wvqtu" cpf " dqpf lpi " eqpf wvqtu" uj cm' dg" uqhw" f tcy p" eqr r gt." CUVO "D5"uqrf "dctg"eqr r gt "hqt"uk gu'uo cngt "ij cp"% CY I . "CUVO "D: "eqpegvte"utcpf gf "dctg"eqr r gt "hqt"uk gu"% CY I "cpf "rti gt0"

"

G0 O kpo wo "i cwi g"eqpf wvqtu"uj cm'dg"%84"C Y I 0"Kpetgcug"q"%82"C Y I "hqt"twpu"gzeggf lpi " 97)2\$. "cpf "% CY I "hqt"twpu"gzeggf lpi "372)2\$0"

"

H0 Y ktg"Uk g"% "CY I "cpf "rti gt"uj cm'dg"utcpf gf 0"Y ktg"qh'uk g"uo cngt "ij cp"% "CY I "uj cm' dg"uqrf 0"

"

I 0 Y ktg"cpf "ecdrng"eqpf wvqtu"uj cm'dg"uqhw"ftcy p"eqr r gt"y kj "eqpf wvxxk{"qh'pqv'rguu'ij cp"; : " r gtegpv'qh'CP UKU"cpf ctf "hqt"cpngcngf "eqr r gt0" Cnw kpo "eqpf wvqtu"uj cm'pqv'dg"wgf 0"

"

J 0 V{r g'OE)Ecdng<

"

30 Uj cm'dg" c" hcevt {"cuugo dn{ "qh'eqr r gt"v{r g")VJ J P)'eqpf wvqtu" kpenw lpi "c"i tggp" kpuwrvgf " gs wkr o gpv" i tqwplpi " eqpf wvqt." y kj "c" o {rct" vcr g" qxgtcm' cuugo dn{ " eqxgtkpi ."j qwugf "kp" c"eqpvpwqwu'kpgtmenkpi "i crkcpk gf "uvgn'uj gcvj 0Rtqxf g'y kj " qr vqpcnkpuwrvgf "dwuj lpi u0"

40 O c{ "qpn{ "dg"wgf "kp" f t {"mccvqpu" hqt" ukpi rg" r j cug" rki j vpi "cpf "tgegr vcegr" dtcej " ekewk' y ktkpi " y j gtg" eqpegcngf "ltqo " xkgy "cdqyg" ceeguikng" egklpi u" qt "kp" uwf " y cm0"

"

50 Uj cm'pqv'dg"wgf "kp" f co r "qt" y gv"mccvqpu." y j gtg" gZR qugf "v" xkgy ."kp" o cuqpt {" y cmu." cdqyg" pqp/ceeguikng" egklpi u." hqt" J XCE" gs wkr o gpv." hqt" gs wkr o gpv" tgs wtkpi "5/r j cug" r qy gt." hqt" dtcej "ekewk' j qo gt wpu." qt "hqt" emulpi "eqppgevkpu"vq" r cpgndqctf u0"

"

60 Uj cm'dg"cu'o cpwbcwgtgf "d{ 'CHE' Ecdng"U{ ugo u." Uqwj y ktg" qt "EO G0"

"

70 O gcn'encf "ecdrng"eqppgevtu"uj cm'dg"o cngcdng"ktqp"ugv'uetgy "v{r g'eqppgevtu0"

"

CKT'EQPFKIQPKI 'K UVCNNCVIQOP 'CV'HQWI 'GNGO GPVCT['UEJ QQNU'

I NCUVQPDWT[.EQPPGEVKE W"

"

40 " QWNGV.'LWPEVIQOP 'CPF 'RWNN'DQZGU'

"

C0 Rtqxf g'qwwgv'dqzgu'cu'tgs wkt gf 'hqt 'c"eqo r rvg'lpucm'vqp0"

" D0 Qwwgv'dqzgu'hqt'hwuj "eqpegcngf +'y qtn'uj cm'dg'eqf g'i cwi g"i cxcpk gf "uvgri'cpf "uj cm'dg" qh'uj cr gu'cpf "uk' gu'v'uwk'v'j gk'tgur gev'g'mqecv'qpu'cpf "lpucm'vqpu."cpf "uj cm'dg'r tqxf gf " y kj "eqxgtu"v'uwk'g"v'j gk't'hwpe'v'qpu'cpf "lpucm'vqp0"Qwwgv'dqzgu'uj cm'dg'gs wkr r gf "y kj " hkw'g'uwf "qt'utcr u'y j gtg'tgs wkt gf 0'

" E0 Vj g'o loko wo "dqz'uk' g'hqt'cm'hwuj "y cm'qwwgv'dqzgu'uj cm'dg'pgo kpcn'6"33 B8ö'us wctg'z"4" 3l: ö'f ggr "4/i cpi +"gzegr v'y j gtg'pqvgf "f h'gtgpv' "qp"v'j g'f tcy kpi u0"Rtqxf g'rcti gt"uk' g' qwwgv'dqzgu.'qt'i cpi cdng'v'r g'dqzgu'y j gtg'tgs wkt gf 'hqt'v'j g'lpucm'vqp0'

" F0 Hqt'ri j v'pi "qwwgv.'r tqxf g'w'cpf ctf "6ö'qevci qp"wpku'y kj "6ö'tqwpf "h'v'eqxgtu0"Rtqxf g' 5l: ö'o cngcdng'k'qp "hkw'g'uwf u"cpf "dqz"j cpi gtu'y j gtg'tgs wkt gf 0"Hqt'ri j v'pi "hkw'g'uwf u" o cng'hkpcn'eqppg'v'qpu'y kj "h'gzkdng"eqpf wk' qh'uw'h'ek'gpv'ngpi v'j "v'q"cmqy "hkw'g'uwf v'q"dg' tgr qukk'qpgf 0'

" G0 Uwtheg'o qwpvgf "dqzgu'hqt'uy ke'j gu'cpf 'tgegr w'ergu'uj cm'dg'3/3 14\$'b loko wo 'f ggr 0'

" H0 Hqt'g'zr qugf "y qtm'r tqxf g'f tcy p/v' r g'dqzgu'y kj "i cxcpk gf "uvgri'et wuj gf "eqtpgt'g'zr qugf " y qtm'eqxgtu0"Rtqxf g'ecuv'dqzgu'hqt'y qtm'gzr qugf "v'y g'v'qecv'qpu'cpf "y j gtg'ecngf 'hqt'qp" v'j g'f tcy kpi u0'

" I 0 Hqt'cdqxg'i tqwpf "r wni'dqzgu.'r tqxf g'i cxcpk gf "eqf g/i cwi g'uj ggv'uvgri'wpku'y kj "uetgy gf " qp'eqxgtu."qh'uk' g'cpf "uj cr g'tgs wkt gf "v'cee'qo o qf cv'g'y ktgu'y kj qw'etqy f kpi ."cpf "v'uwk' v'j g'mqecv'qpu0"Rtqxf g'r wni'dqzgu'cu'ur gek'h'gf "j gtg'kp."cu'tgs wkt gf 'hqt'lq'd'eqpf k'k'qpu."cpf "cu" h'qm'y u<'

- " " 30' K'f qqtu<"P GO C"V{r g'30'
- " " 40' Qwf qqtu'qt'F co r "qt'Y gv'Nqecv'qpu<"P GO C"V{r g'5T0'
- " " 50' J qugf qy p'cpf "U'ru'j kpi "Y cv'gt'Nqecv'qpu<"P GO C"V{r g'60'

40 " Y KTR I 'F GXIEGU<

"

C0 Cni'f gxlegu'uj cm'dg'hwtpkuj gf "lp"J wddgm'qt"eqo r ctdcng'r tqf wev'lp"Eqqr gt"qt"Ngxk'qpu0' F gxlegu'ur gek'h'gf "j gtg'kp"ctg'dcugf "qp"J wddgm'wprgu'q'v'j gty kug'pqvgf 0'F gxleg'eqm'q'uj cm' dg'cu'f k'gevgf "d{'v'j g'cpi k'pggt 0'

" D0 Nki j v'pi 'Uy ke'j gu<

" " 30' Vqi i rg"V{r g<"K'p'k'w'k'p'cni'J gcx{"F w'f "ur gek'h'ecv'qpu"i tcf g.'hwuj "o qwp'v'pi ."s wkv' qr g'ecv'qpu'CE"v'f r g'y kj "cdwug't g'uk'v'cpv'eqm'q'gf "p{m'p'v'qi i rg'qr g'ecv'qpu."j gcv't g'uk'v'cpv' eqo r qukk'qpu" r m'w'k' "j qw'k'pi ." uk'x'gt" ecf o kwo "qz'k'g" eqp'v'cevu" cpf " eqr r gt" cmq {" ur t'kpi "eqp'v'ce'cto 0"Tv'gf "cv'342/499"XCE."ecr cdng'qh'hw'm'ecr cek'f "qp'w'pi uvgp'qt" hw'qt g'uegp'v'ro r "mqf 0"F guli p'gf "hqt'uk' g'qt"dcem'y k'k'pi "y kj "wr "v'q"p q0'32'y ktg." cpf "y kj "% 'd'cuu'v'gto k'pcn'uetgy u0'

CKT'EQPFKIQPFI 'K'UVCNNCVQOP'CV'HQWI'GNGO GPVCT['UEJ QQNU'

I NCUVQPDWT[.EQPPGEVKEW"

"

"

"	"	"	"	"	42"COR"	"	52"COR"
"	"	"	Ukpi rg'Rqrg"	"	% DN3443"	"	% DN5253"
"	"	"	Vy q'Rqrg"	"	% DN3444"	"	% DN5254"
"	"	"	Vj tgg'y c{"	"	% DN3445"	"	% DN5255"
"	"	"	Hqwt'y c{"	"	% DN3446"	"/.....

" " 40' Uy kej "y kj "rki j vgf "vqi i rg" r kqv'qt" r kqv'rki j v'vqi i rg<" uco g" cu" vqi i rg" v{r g" gzege v" y kj "ergct" r qn{ectdqpcev" rki j vgf "vqi i rg" rki j v'qp" y kj "mqf "qht+qt" tgf "r qn{ectdqpcev" r kqv'rki j v'vqi i rg" rki j v'qp" y kj "mqf "qp+0"

"	"	"	"	"	42"COR"	"	52"COR"
"	"	"	Nki j vgf "Vqi i rg"	"	% DN3443KE"	"/.....
"	"	"	Rkqv'Nki j v'	"	% DN3443RN"	"	% DN5253RN"

" " 50' NqemMg{ "V{r g<" Uco g" cu" vqi i rg" v{r g" gzege v" y kj "ng{ "qr gtcvqt0"

"	"	"	"	"	42"COR"
"	"	"	Ukpi rg'Rqrg"	"	% DN3443N"
"	"	"	Vy q'Rqrg"	"	% DN3444N"
"	"	"	Vj tgg"Y c{"	"	% DN3445N"
"	"	"	Hqwt"Y c{"	"	% DN3446N"

" E0' Tgegr vcergu<"

" " 30' Ukpi rg"cpf "f wr rgz" eqpxgplgpeg" tgegr vcergu" uj cml'dg" j gcx{ "f w{ "ur gekhlecvkqp" i tcf g." 4" r qrg." 5" y ktg" i tqwvf kpi ." P GO C" 7/42T." tcvgf " 42COR" cv" 347" Xqnu" CE0' Tgegr vcergu" uj cml' j cxg" c" qpg/r lgeg" cml' dtcuu" y ter " ctqwpf " o qwpvki " utcr " y kj " kpgi tcn{ tqwvf " eqpvcev" cpf " i tqwvf " vgpukqp" tgvckpki " erik u." cpf go " d{r cuu" eqpvcev." j gcv" tgukucpv" vj gto qr rucvle" t{ plsg" dcug." cpf " j ki j " ko r cev" p{ rnp" hceg0' Tgegr vcergu" uj cml' dg" dcm' cpf " ulf g" y ktgf ." uj cml' j cxg" c" dcm' y ktgf " i tggp" i tqwvf " vgt o kpcn" cwqo cvle" i tqwvf " erik ." cpf " vj tgcg gf " dtcuu" us wctg" j gcf " egpvt " tkxgv" cuugo dn{ 0'

" " Ukpi rg" Tgegr vcerg" % DN7583"
 " " F wr rgz" Tgegr vcerg" % DN7584Y T"

" " 40' I tqwvf "Hwv" F wr rgz" eqpxgplgpeg" tgegr vcergu" uj cml'dg" j gcx{ "f w{ "ur gekhlecvkqp" i tcf g." 4" r qrg." 5" y ktg" i tqwvf kpi ." P GO C" 7/42T." tcvgf " 42COR" cv" 347" xqnu" CE0' Tgegr vcergu" uj cml' j cxg" c" uqkf " dtcuu" y ter " ctqwpf " o qwpvki " utcr " y kj " r tg/ vgpukqpgf " i tqwvf " eqpvcev." cpf go " o qf hkgf " d{r cuu" eqpvcev." cml' r cuu" ektevks" dqctf " y kj " eqphqto cni" eqcvki " hqt" uwr gkqt" o qkuwtg" ko o wpkv{ ." 9" pqlug" hngtkpi " ecr cekqtu." j gcv" tgukucpv" vj gto qr rucvle" dcug" cpf " j ki j " ko r cev" p{ rnp" hceg0' Tgegr vcergu" uj cml'dg" dcm' cpf " ulf g" y ktgf " cpf " uj cml' j cxg" c" i tggp" i tqwvf " vgt o kpcn"

" " F wr rgz" I HEKTgegr vcerg" % HI7584UI ""

" F0' Eqxgt" Rrvgu<"

" " 30' Eqxgt" r rvgu" uj cml'dg" ur gekhlecvkqp" i tcf g" pqp/ o ci pgvle" V{r g" 524" ucklprgu" uvgnn" dtwuj gf " hpkuj 0" Y j gtg" o wnr rg" f gxlegu" ctg" i cpi gf " vqi gj gt" vj g{ " lj cml'dg" o qwpvgf "

CKT'EQPFKIQPKI 'K'UVCNNCVQKQ'CV'HQWI'GNGO GPVCT['UEJ QQNU'

I NCUVQPDWT[.EQPPGEVKEW"

" " " " wpf gt" c" eqo o qp" eqxgt" r rvg0" Rtqxf g" uy kej " cpf " tgegr werg" eqo dlpv kqp" r rvgu" y j gtg" uy kej gu" cpf " tgegr wergu" ctg" rjcevqf " vqi gj gt0' " Eqxgt" r rvgu" uj cm' dg" hwtpluj gf 'kp' uco g'O cpw hcewtgt" cu'f gxlegu0'

" " 40' Y gcvj gtr tqqh' gperquwtgu" hqt" qwf qqt" I HEKtgegr wergu" uj cm' dg" ecuv' cnwo kpwo . " ukpi rg" i cpi " xgtvlecn' J vddgm' %Y R480 " qt" ukpi rg" i cpi " j qtk qpvcn' J vddgm' %Y R480 J 0" Gperquwtgu" uj cm' lpenmf g" i cungv' cpf " o qwpv kpi " uetgy u" uj cm' j cxg" ö" f lco gvgt" r cf rjcm' j qrgu. " cpf " uj cm' j cxg" rti g" eqtf " qr gpkpi u" hqt" wug" y kj " eqxgt" emugf 0'

402" HWUGU' "

" C0' Rtqxf g' ewtgpv' rko kgf . 'pqp/ tpggy cdrg' hwugu. 'Dwuuo cp. 'Nkwgrhwug. 'qt' I qwf. 'WN' eruu' L'w' r' vq' 822' Co r' 'cpf' 'Eruu' N' qxgt' 822' Co r 0'

" D0' Hwugu' uj cm' dg' tcvf " 822X" qt' rguu' C E0' WN' rkuvgf . " cpf " j cxg" o kpk wo " lpgvttw vki " tcvki " qh' 422.222" to u' co r gtgu' y kj " r gcn' rrvj tqwi j " ewtgpv' cpf " o czko wo " ergctkpi " xcnwgu" y kj kp' r' tguetkdgf " WN' rko ku0' Hwugu' hqt" o qvqt' hggf gtu' qt" o qvqt' ekewku' uj cm' dg' Eruu' " TM/7" qh' xqnci g' eruu' k' h' c' v' k' p' t' c' v' f' h' t' o' qvqt' y kj " o kpk wo " lpgvttw vki " ecr cekv' " qh' 422.222" to u' co r gtgu' cpf " y kj " o kpk wo " vko g' f' g' r' " qh' vgp' ugeqpf u' c' v' 722' 0'

403" DCEMDQCTFU' "

" C0' Dcemdqctf u' uj cm' dg' eqputwewgf " qh' h' k' g' t' g' v' c' t' f' c' p' v' r' n' f' y' q' q' f' " u' j' g' g' w' . " 6' 0' z' : " 0' z' " ö0'

" " 30' Rclpv' dcemdqctf u' qp' cm' ukf gu' y kj " y q" eqcvu' qh' rki j v' i' t' c' { " h' k' g' t' g' u' k' v' c' p' v' r' c' k' p' v' r' t' k' q' t' " v' q' " o' q' w' p' v' k' p' i " g' s' w' k' r' o' g' p' v' 0' "

" " 40' O qwpv' dcemdqctf u' qp' vpkutw' ej cpggr' uwr r qt u0'

" D0' Rtqxf g' dcemdqctf u' y j gtg' kpf kcvgf " qp' v' j g' f' tcy kpi u' cpf " hqt" o qwpv kpi " cm' uwthceg" o qwpvgf " grgextlecn' r' cpgndqctf u0'

404" CEEGUURCPGNU' "

" C0' Rtqxf g' ceegu' r' cpgnu' hqt" grgextlecn' gs wkr o gpv' cpf " y ktkpi " ur rlegu" y j lej " ctg" pqv' t' g' c' f' k' n' " ceegu' k' d' r' g' 0' " Vj ku' lpenmf gu" grgextlecn' gs wkr o gpv' cpf " y ktkpi " ur rlegu" k' p' u' c' m' g' f' " cdq' x' g' " j' w' p' i " egk' k' p' i' u' y' j' lej " ctg" pqv' t' g' c' f' k' n' " t' g' o' q' x' c' d' r' g' . " y' k' j' k' p' y' c' m' u' . " k' p' u' k' f' g' ' e' j' c' u' g' u' . " q' t' " k' p' u' k' f' g' ' f' g' c' f' " e' c' x' k' v' " u' r' c' e' g' u' 0' "

" D0' Ceegu' r' cpgnu' uj cm' dg' r' tko g' r' clpvf " uvgn' y kj " uetgy f' tkxgt" rjem" uj cm' dgct" v' j' g' uco g' h' k' g' t' c' v' k' i " cu' v' j' g' y' cm' qt' egk' k' p' i " k' p' " y' j' lej " v' j' g' { " ctg" k' p' u' c' m' g' f' . " cpf " u' j' cm' dg' qh' u' w' h' h' e' k' g' p' v' u' k' g' " h' q' t' " y' k' t' k' p' i " u' r' r' l' e' g' " c' e' e' g' u' " q' t' " g' r' g' e' x' t' l' e' c' n' ' g' s' w' k' r' o' g' p' v' t' g' o' q' x' c' n' ' c' p' f' " t' g' r' m' e' g' o' g' p' v' 0' " C' e' e' g' u' ' r' ' c' p' g' n' u' ' u' j' ' c' m' ' d' g' " r' t' q' x' l' f' g' f' " k' p' " O' k' r' e' q' t' " o' c' p' w' h' c' e' w' t' g' . " q' t' " c' r' r' t' q' x' g' f' " g' s' w' c' n' 0' " R' t' q' x' l' f' g' " O' k' r' e' q' t' " V' { r' g' " C " k' p' " c' e' q' w' u' l' e' c' n' ' v' k' r' g' " u' w' t' h' c' e' g' u' . " V' { r' g' " M' " h' q' t' " r' r' u' v' g' t' g' f' " u' w' t' h' c' e' g' u' . " c' p' f' " V' { r' g' " O " h' q' t' " o' c' u' q' p' t' { " e' q' p' u' t' w' e' v' k' p' 0' "

CKT'EQPFKIQPKI 'K UVCNNCVIQP'CV'HQWI'GNGO GPVCT['UEJ QQNU'

I NCUVQPDWT[.EQPPGEVKEW"

"

" " " hqt'i ppgtnt'ghgt'gpeg'qpn(0'Tqwi j kpi 'qh'hkz'wt'gu'cpf'qww'gu'uj'cm'pqv'r'tqeggf'wp'vki'gzcev'mecv'kpu.'j'gki'j'u.'cpf'qt'k'p'v'k'p'u'q'h'hkz'wt'gu'cpf'qww'gu'j'cxg'dggp'ci'tggf'w'qp'y'kj'y'g'Qy'pgt0'

" " 80' Cttcpi'g'kpu'c'm'v'k'p'v'q'v'r'tq'x'k'f'g'ceeguu'v'q'gs'w'k'o'gpv'hqt'gcu{'o'cl'p'v'g'p'c'p'eg'cpf'tgr'ck0'

"

504" K UVCNNCVIQP'QHTCEGY C[UCPF'HKVIR I U<

"

" C0' Kpu'c'm'y'k'g'cpf'ecdrg'k'p'cr'r'tq'x'g'f'tcegy'c{'u'cu'ur'gek'h'g'f'cpf'cu'cr'r'tq'x'g'f'd{'cwj'qtk'k'gu'j'cx'k'p'i'lw'k'f'k'v'k'p'0'

"

D0' Cm'eqpf'vku'uj'cm'dg'eqpeg'c'g'f'lt'q'o'x'k'g'y'cd'q'x'g'eg'k'k'p'i'u.'k'p'ej'cugu.'cpf'k'p'y'cm'0'E'q'p'f'vku'o'c{'q'p'n{'dg'k'p'u'c'm'g'f'g'z'r'q'ug'f'v'q'x'k'g'y'k'p'o'g'ej'c'p'k'ec'n'c'p'f'g'r'g'ev't'k'ec'n't'q'q'o'u'c'p'f'y'j'g't'g't'w'p'q'x'g't'j'g'c'f'k'p't'q'q'o'u'y'k'j'q'w'w'eg'k'k'p'i'u' "

" E0' Tw'p'eqpf'v'k'v'c'p'f'ecdrg'r'ct'c'm'g'n'v'q'qt'c'v't'k'i'j'v'c'p'i'ng'u'y'k'j'k'p'g'u'q'h'y'g'd'w'k'f'k'p'i'."v'q'r't'g'g'p'v'c'pg'c'v'c'r'r'g'c't'c'p'eg'0'

"

" " 30' O'c'ng'd'g'p'f'u'y'k'j'w'c'p'f'c't'f'eq'p'f'v'k'g'nd'q'y'u'q't'eq'p'f'v'k'd'g'p'v'q'p'q'v'h'g'u'u'y'c'p'y'g'uc'o'g't'c'f'k'w'u'0'

"

" " 40' O'c'ng'd'g'p'f'u'lt'g'g'lt'q'o'f'g'p'u'c'p'f'h'r'c'w'g'p'k'p'i'0'

"

" F0' Rt'q'x'k'f'g'eq'f'g'uk'g'f'eq'p'f'v'k'w'p'rg'u'u'c'r't'i'g't'uk'g'ku'uj'q'y'p'q'p'y'j'g'f't'c'y'k'p'i'u'q't'ur'gek'h'g'f'j'g't'g'k'p'0'O'k'p'k'o'w'o'uk'g'uj'cm'd'g' o'f'k'c'o'g'v'g't'0'

"

" G0' U'g'ew't'g'n'c'p'f't'k'i'k'f'n'f'u'w'r'q't'v'eq'p'f'v'k'v'c'p'f'O'E'ecdrg'y't'q'w'i'j'q'w'v'j'g'y'q't'm'y'k'j'c'r'r't'q'x'g'f'eq'p'f'v'k'v'ek'r'u'c'p'f'j'c'p'i'g't'u'c'm'k'p'eq'p'h'q't'o'c'p'eg'y'k'j'eq'f'g'ug'k'uo'k'e't'g's'w'k't'g'o'g'p'w'0'

"

" " 30' F'q'p'q'v'w'ug'o'g'ej'c'p'k'eu'y'k'g'h'q't'w'w'r'q't'v'k'p'i'eq'p'f'v'k'v'q't'O'E'ecdrg'0'

"

" " 40' F'q'p'q'v'w'w'r'q't'v'eq'p'f'v'k'u'q'p'j'w'p'i'eg'k'k'p'i'u'q't'lt'q'o'o'g'ej'c'p'k'ec'n'q't'g'r'g'ev't'k'ec'n'g's'w'k'o'g'p'w'0'

"

" " 50' U'g'gn'u'w'r'q't'w'c'p'f't'c'em'u'uj'cm'd'g'i'c'k'c'p'k'g'f'u'g'gn'ej'c'p'p'g'n'c'p'f'h'k'w'k'p'i'u.'w'p'k'ut'w'w'q't'c'r'r't'q'x'g'f'g's'w'c'f'0'

"

" " 60' Rt'q'x'k'f'g'ec'o'r'u'c'p'f'u'w'r'q't'v't'q'f'u'c'u't'g's'w'k't'g'f'0'

"

" " 70' U'g'gn'u'w'r'q't'v't'q'f'u'q't'w'w'r'q't'v'd'q'm'u'h'q't'eq'p'f'v'k'u'uj'cm'd'g'31:k'p'ej'f'k'c'o'g'v'g't'h'q't'g'c'ej'k'p'ej'q't'lt'c'ev'k'q'p'y'j'g't'g'q'h'q'h'f'k'c'o'g'v'g't'q'h'eq'p'f'v'k'v'uk'g'd'w'p'q't'q'f'q't'd'q'n'uj'cm'd'g'h'g'u'u'y'j'c'p'o'k'p'f'k'c'o'g'v'g't'0'

"

" " 80' J'q't'k'q'p'v'c'n'c'p'f'x'g't'k'ec'n'eq'p'f'v'k'v'w'w'r'q't'w'uj'cm'p'q'v'd'g'o'q't'g'y'c'p'32o'c'r'c't'v'q't'o'q't'g'y'j'c'p'3o'lt'q'o'c'p{'h'k'w'k'p'i'0'

"

" " 90' Kpu'c'm'eq'p'f'v'k'v'c'p'f'O'E'ecdrg'u'q'k'ku'p'q'v'k'p'eq'p'v'c'ev'y'k'j'."q't'g'u'k'p'i'q'p.'r'n'w'o'd'k'p'i'."h't'g'r't'q'g'ev'k'q'p.'q't'J'XCE'g's'w'k'o'g'p'v.'r'k'k'p'i'."q't'f'w'ey'q't'n'0'

"

" H0' F'q'p'q'v'k'p'u'c'm'eq'p'f'v'k'v't'w'p'u'g'z'r'q'ug'f'q'p'y'j'g'd'w'k'f'k'p'i'g'z'v'g't'k'q't'0'

"

" I 0' O'cl'p'v'k'p'c'v'h'g'c'u'v'5o'eng'c't'c'p'eg'd'g'y'g'g'p'eq'p'f'v'k'u'c'p'f'j'g'c'v'k'p'i'r'k'g'u'y'j'g'p't'w'p'p'k'p'i'r'c't'c'm'g'n'v'q'y'j'g'g'r'k'g'u.'c'p'f'c'v'h'g'c'u'v'3o'eng'c't'c'p'eg'y'j'g'p't'w'p'p'k'p'i'r'g't'r'g'p'f'k'ew'r'c't'v'q'y'j'g'g'r'k'g'u'0'

"

" J 0' Rt'q'x'k'f'g'f'q'w'd'g'm'q'ep'w'u'q'p'cm'eq'p'f'v'k'u'v'g't'o'k'p'c'v'k'p'i'k'p'uj'g'g'v'o'g'v'c'n'g'p'ep'q'u'w't'g'u'0'Rt'q'x'k'f'g'i't'q'w'p'f'k'p'i'd'w'uj'k'p'i'u'q'p'c'm'h'g'g'f'g't'eq'p'f'v'k'u'0'

"

"

K0 Rtqxf g" gzt cpukap" eqwr npi u" hqt "tki kf" o gvcnle" cpf "pqp/o gvcnle" eqpf wku" y j gtg" uwej " eqpf wku" ctg" uwdlgev" vq" yj gto cni" gzt cpukap" cpf " eqpvtcevkap0 Rtqxf g" eqo dkcvcap" f ghgevkap lgtz cpukap"eqwr npi u" hqt "o gvcnle" cpf "pqp/o gvcnle" eqpf wku" y j gtg" uwej " eqpf wku" etqau" yj tqwi j "dwrkf kpi " gzt cpukap" lqkw0

"

L0 Rtqxf g" hwni' y cni' uvggnihgzkdrg" eqpf wku' hqt "cni' eqpf wku' r gpgtcevkapu" yj tqwi j " hkg" y cni'0 Hwni' y cni' uvggnihgzkdrg" eqpf wku' yj cni' dg" 5/ j qwt " yj tqwi j " r gpgtcevkap" hkg" y cni' cevqf 0"

"

M0 Kpuvni' npi ugcni' y cvgr tqqh" ugcni' ctqwpf "cni' eqpf wku' r gpgtcevkapu" yj tqwi j " dcugo gpv" y cni. " hqtu. "qt" hqwpf cevkap" y cni0

"

N0 Y j gtg" eqpf wku' ku' kpuvngf " wfp gti tqwpf " qt " ku' gzt qugf " vq" y gcy gt " qt" y gv' ctgeu" o cni" cni' lqkwu" y cvgt ki j v0 Ugcni' cni' uksg" y qtm' qr gp" eqpf wku' gpf u" eqpvcvkapu" eqpf wevqtu" y cvgt " ki j v0 Ecr " cni' uksg" y qtm' qr gp" eqpf wku' gpf u" yj cvf q' p' qv' eqpvcvkapu" eqpf wevqtu0

"

O0 Rtqxf g" pgeguuct { "urgxgu" cpf " ej cugu" y j gtg" eqpf wku' cpf " ecdrgu" r cuu" yj tqwi j " hqtu. " y cni. " egk kpi u. " cpf " tqqu. " cpf " r tqxf g" qy gt " pgeguuct { " qr gkpi u" cpf " ur cegu. " cni' ctcp" gf " hqt " kp" r tqrgt " vko g" vq" r tngpv' wppgeguuct { " eww kpi 0" Rgthqto " eww kpi " cpf " r cvj kpi " kp" ceeqtf cpeg" y kj " yj g" r tqxlkupu" hqt " yj g" qtki kpcn' y qtn0

"

P0 Rtqxf g" qhugv" r tqqt " vq" gptcevkap" kpv" qvwrg' dqzgu" cpf " qy gt " grgevtcecn' gs wkr o gpv' hqt " r tqrgt " cf lwo gpv" vq" hpkuj gf " dwrkf kpi " uwtcevq0 Gz gtekug" ectg" y j gp" tqwi j kpi / kp" eqpf wku" y j lej " wtp" vr " qt " f qy p" vq" uwtcevq" o qwpvgf " r cpgndqctf u" qt " ecdkpgu. " uq" yj cv' eqpf wku' gzt cpukapu" vq" ecdkpgv" y kni' dg" hkvgf " emug" vq" y cni0 " Y j gtg" r quukdrg. " r tqxf g" dceni' gpt { " kpv" uwtcevq" o qwpvgf " dqzgu" qt " gs wkr o gpv' kgo u0

"

Q0 Kpuvni' tki kf " i cncpk gf " uvggn' eqpf wku' y kj " gpf u' ew' us wctg" y kj qw' uj ctr " gf i gu. " yj tgcf gf. " cpf " KF 0 tgo gf " vq" tgo qxg" cp { " dwtu0" Hkgf " o cf g" dgpf u" uj cni' dg" qh' gs wxcrgpv' tcf kwi" cu" hcvqt { " o cf g" dgpf u0 Gzr qugf " yj tgcf u" uj cni' dg" ngr v' vq' c' o kpo wo 0

"

R0 Ugcni' ctqwpf "cni' eqpf wku' cpf " ecdrg" r gpgtcevkapu" yj tqwi j " hkg" " tcvqf " y cni' cpf " egk kpi u" y kj " 50 " Dtcpf " ER47P I U' hkg" dctktgt " ecwnkpi 0

"

S0 Ectghwn { " ergcp" cpf " f t { " cni' eqpf wku' dghqt g' kpuvncvkap" qh' eqpf wevqtu0 F q' p' qv' vni' y ktgu' kpv" eqpf wku' u { ugo " wvki' dwrkf kpi " tqqh" cpf " y cni' ctg" y gcy gt / ki j v' cpf " cni' tqwi j " r cvvgt kpi " ku" eqo r rgygf 0" Rtqxf g' Rtko g" eqpf wku' r nwi u" cpf " gpf " ecr u" vq" gzenxf g' f wuv. " o qkuwgt. " r cvvgt. " qt" o qtvt " y j kg' dwrkf kpi " ku' wfp gt " eqput wevkap0 "

"

T0 Nwdtkecpu" qt " ergcpkpi " ci gvu" y j lej " o ki j v' j cxg" f grgvgt kqu' ghgev" qp" eqpf wevqt " eqxgt kpi u" uj cni' pv' dg' wugf " hqt " f tcy kpi " eqpf wevqtu' kpv' tcegy c { u0

"

U0 Rtqxf g" o kpo wo " 5 B8" lkej " f lco gygt " y kvgf " p { nqp " hki " eqtf " kp" cni' go r v { " tcegy c { u0 Rtqxf g" vci " qp" gcej " gpf " kpf kecvkpi " nqcevkap" qh' qy gt " gpf 0" Hki " eqtf " uj cni' j cxg" o kpo wo " qh' 422" r qwpf u' vgvkng' utgpi yj 0

"

V0 Cni' y ktpi " uj cni' dg" kpuvngf " kp" grgevtcecn' o gvcnle " wdkpi " wprguu' qy gt y kug" ur gellkgf " j gtlp" qt " ecngf " hqt " qp" yj g' f tcy kpi u0

"

" " 30 Y j gtg" eqpf wku' ku' kpuvngf " wfp gti tqwpf " dwtkgf +. " r tqxf g' RXE" eqpf wku0

"

"

" " 40' Y j gtg"eqpf wks"ku"lpucmgf "go dgf f gf "lp"elpf gt"eqpetgvg."rtqxf g'tki kf "i ckrckp kf " uggneqpf wks0

" " 50' Rtqxf g"lpvgt g f kvg"uggn"eqpf wks"ht" gzt qugf "eqpf wks"lpucmgf "dgrqy "9"hggy"lp" ctgcu"uwej "cu"o gej cplecni"tqo u."qt"y j gtg"uwlge"v"q"r j { ulecn"cdwug0

" " 60' Wug"hrzkdng"eqpf wks"ht" hpcn"eqppge"v"qpu"v"q"o qvt"ftkxgp"gs wks o gpv."tgegu"gf " rki j v"hzwtgu."tcpu"htqto gtu."qt"y j gtg"uwlge"v"q"xlkdc"v"qpp0"Y j gtg"uwej "gs wks o gpv" ku"tqec"v"gf "lp"y gv"ctgcu"qt"gzr qugf "v"y gc"v"j gt"uug"rks wks /vki j v"hrzkdng"eqpf wks0

" " " Hgzkdng"eqppge"v"qpu"uj cmi"dg"o loko wo "qh"3: "lpej gu"cpf "o czko wo "qh"8"hggy"tqpi " y kj "i tqwpf lpi "eqpf we"vt0" Hgzkdng"eqppge"v"qpu"uj cmi"dg"uugf "r tkqt "v"cwcej o gpv" qh"eqpf wks"v"q"gs wks o gpv"j qwukpi 0

"

505" UNGGXGU<

"

" " C0' Rtqxf g"GO V"unggxgu"ht" gcej "eqpf wks"cpf "ecdng"r cuukpi "vj tqwi j "lpvgtkqt"y cmi."r ctv"kkqpu." cpf "hrqtu0

"

" " " 30' Ugv"r kr g"unggxgu"lp"r rceg"dghqtg"y cmi"hrqt."qt"r ctv"kkqp"ku"l"kpukj gf 0"

" " " 40' Uwr r qt"v"eqpf wks"cpf "ecdng"ht gg"ht qo "unggxgu0

" " " 50' Rtqxf g"unggxgu"v"y q"r kr g"uk" gu"rcti gt"vj cp"vj g"eqpf wks"qt"ecdng"r cuukpi "vj tqwi j ."qt"" r tqxf g"o loko wo "qh" o"er"ngctcepg0

"

" " D0' Rtqxf g"ej tqo g"r r"v"gf "g"uewej ggp"r r"v"gu"ht" gcej "unggxg"y j gtg"gzr qugf "v"xlgy "lp"l"kpukj gf " ctgcu0

"

" " E0' Rtqxf g" I RV" kpf wutkgu" Y UI "i ckrckp kf " uggni"y cmi" unggxu"ht" gcej " eqpf wks" r cuukpi " vj tqwi j " dcugo gpv" y cmi" qt" hqwpf v"kkp" y cmi0 I ckrckp kf " uggni"y cmi" unggxu" uj cmi" dg" uej gf wng"62" uggni"r kr g"lp"uk" gu"vj tqwi j "32o" f kco gvg"t"cpf "uj cmi"j cxg"o"20597o"y cmi"vj lenpguu" ht"uk" gu"34o" f kco gvg"t"cpf "rcti gt0" Y UI "i ckrckp kf " uggni"y cmi" unggxu"uj cmi"j cxg"o"4o"eqmct" *y cvgt"uqr "+cv"vj g"o kf /r qkp"v"qh"vj g" unggxu0" Vj g"4o"eqmct"uj cmi"dg"eqpv"kwqwan" "y grf gf "qp" dqvj "uk" gu"v"q"vj g" unggxu0" Rtqxf g" I RV" kpf wutkgu" Nkpm"Ugcn"o qf wrct"y cvgr tqqh"ugcn"cv"cmi" hqwpf v"kkp"y cmi" unggxu0" Y j gtg"r gpgvt"v"lpi "gz"kuukpi "dcugo gpv"qt" hqwpf v"kkp"y cmi"r tqxf g" c"eqtg" f tkmgf "r gpgvt"v"lpi" cpf "Nkpm"Ugcn"o qf wrct"y cvgr tqqh"ugcn"y kj qw"vj g"i ckrckp kf " uggni"y cmi" unggxu0

"

" " "F0' Ecwm"vj g"ur ceg"dgvy ggp" unggxu"cpf "eqpf wks"qt"ecdng"v"ukpi "50" "Dtcpf "QR47P IU" hkt g" dcttkgt"ecwm"lpi 0

"

" " "G0' Hktgr tqqh"cmi"r gpgvt"v"lpu"o cf g"lp"htg"t"evgf "y cmi"qt"hrqtu"y kj "WN"er r tqxf g"o cvgtkcu"v"q" r t"gxgpv"r cuuci g"qh"htg"cpf "uo qng"cpf "o b"klpv"l"qtki kpcn"htg"t"v"lpi "qh"hrqtu"qt"y cmi0

"

506" EQPFWEVQT'R'UVCNNCVIQP <

"

" C0' I gpgtcr<

"

" " 30' Vj g"lpvgtkqt"qh"cmi"eqpf wks"uj cmi"dg"er"ngctgf "qh"dwttu."o qkwwt g."f kv"cpf "qduw"v"v"lpu" dghqtg"y ktgu"ctg"r wngf 0

" " 40' Nwdtkecpv"ht"r wukpi "y ktgu"uj cmi"dg"lpgt"v"v"q"ecdng"cpf "eqpf wks"uj cmi"pqv"l"p"cp"y c" { " tgu"t"lev"gcug"qh"r wukpi "vj tqwi j "eqpf wks"y kj "r cuuci g"qh"v"ko g."cpf "uj cmi"dg"ur gekcn" nwdtkecpv" f guki pgf "ur gek"t"ecm" "ht"ecdng"r wukpi "cpf "uj cmi"dg"ej go kecm" "eqo r v"kdng" y kj "ecdng0

"

" " D0' Eqmt'Eqf kpi <"

" " 30' Eqpukngpv'r j cug'kf gpkh'ecvqp'qh'cm'eqpf wexqtu'uj cmi'dg'o clpvc'kpgf 'cu'hqmy u<"

"	"	"	"	"	<u>34242: X</u>	"	<u>49916: 2X</u>
"	"	"	Rj cug'C"	"	Drcen'	"	Dtqy p"
"	"	"	Rj cug'D"	"	Tgf "	"	Qtcpj g"
"	"	"	Rj cug'E"	"	Dnwg"	"	[gmy "
"	"	"	P gwtcn'Y kg"	"	Y j kg"	"	P cwtcn'I tgf "

" " " Rtqxf g'eqmtgf "r m'vke"vr g'qh'ur gekh'gf "eqmt"eqf g'kf gpkh'ecvqp'hqt'rti g'uk'g' eqpf wexqtu' cxckrdrg" qpn' "kp" drcen' "Y tcr "vr g" y jgg" eqo r rgy' wtpu' ctqwpf" eqpf wexqt. "cv'gpf u'cpf "cv'eqppge'vqpu'cpf "ur r'egu0"Rtqxf g'uco g'eqmt'eqf kpi 'hqt" uy kej 'rgi u'cu'eqttgur qpf kpi 'r j cug'eqpf wexqt0"

" E0' O kpo wo 'Eqpf wexqt'Uk' gu<"

" " 30' Vj g'o kpo wo 'dtcpej "ektewk'eqpf wexqt'uk' g'uj cmi'dg'%4CY I 0"Rtqxf g'%2CY I " eqpf wexqtu' hqt" dtcpej "ektewku" y j gtg" y j g' eqpf wexqt" twp" gzeggf u'97" hggv" cpf" % CY I "eqpf wexqtu'y j gtg'y j g'eqpf wexqt' twp" gzeggf u'372' hggv0"

" F0' Rtqxf g'y j g'pwo dgt" qh'eqpf wexqtu'tgs wktgf "hqt" c"i kxgp" dtcpej "ektewk:"qt"cu'tgs wktgf "hqt" ektewkt { .y j gj gt' kpf kecvgf "qp'y j g'f tcy kpi u'qt'pqv0"

" G0' P gwtcn'Eqpf wexqtu<"

" " 30' Cm'dtcpej "ektewku"uj cmi'dg"kpucm'gf "y kj "c"ugr ctc'v'pgwtcn'eqpf wexqt0"Uj ctgf "pgwtcn'hqt'i tqwr u'qh'dtcpej "ektewku'uj cmi'pqv'dg'r gto kwgf 0"

" H0' Rtqxf g'gcej "ektewk'y kj "c" f gf kecvgf "i tqwpf "y kg'dcen'v'ku'tgur gev'xg'r cpgri' i tqwpf "dct0' Uk' g'cni' tqwpf "y kg'u'kp'cee'qtf cpeg'y kj 'P GE'tgs wktgo gpu0'Wug'%4'o kpo wo 'uk' g0"

" I 0' OE'ecdrg'o c { 'qpn' 'dg'wugf 'kp'f t { 'r'ecv'kpu'hqt'ukpi ng'r j cug'hi j v'kpi 'cpf 'tgegr w'ceng'ektewku" y j gtg"eqpeg'crgf "cdq'xg'j wpi "egh'kpi u'qt'kp"uwf "y cmi0"J qo gt wpu'uj cmi'dg'eqpf wexqtu'kp" eqpf v'k0"OE'ecdrg'uj cmi'pqv'dg'wugf "kp"o cuqpt { 'r ct'v'kpu. "cdq'xg'pqp/ceegu'kdr'egh'kpi u." hqt'dtcpej 'ektewk'j qo gt wpu.'qt'y j gtg'g'zr qugf "v'x'kgy 0"

" " 30' OE'ecdrg'uj cmi'dg'uwr r qv'gf "ltqo "y j g'dv'krf kpi "utvewt'g'wukpi "j cpi gtu."er'k u."cpf " cr r tqxgf "r r'gpwo "tcv'gf "r m'vke"v'gu0"kp'rc { /kp'egh'kpi "ctgcu'y j g'ecdrg'uj cmi'pqv'tguv' qp'egh'kpi 'i t'k' 'qt'v'kgu."cpf 'uj cmi'pqv'dg'v'gf "v'y j g'egh'kpi 'i t'k' 'y kg'j cpi kpi 'u{ ugo 0' " " F q'pqv'wug'o gej c'pleu'y kg'hqt'uw r qt'v'kpi "qt'ugewt'kpi "OE'ecdrg0"

" J 0' K' g'p'kh' "eqpf wexqtu'r cu'kpi "y j tqwi j "r wni'dqzgu."l'wpev'kqp"dqzgu."cpf "y kg'y c { u'v'k'kpf kecv'g" ektewk'f guki pc'v'kqp0'K' g'p'kh' 'r wni'dqzgu'cpf 'l'wpev'kqp"dqzgu'cu'ur gekh'gf 'j gt'gkp0"

" K0' Rj cug'eqpf wexqtu'uj cmi'dg'eqppge'v'gf "v"r j cug'uw r n' "o clpu'kp"r tqr gt "t'q'v'kqp"v'q'cu'w'g' drc'p'egf "eqpf k'kqp"qp"r c'pgr0"Ektewk'pwo dgtu'cu'ki pgf "qp"f tcy kpi u'ctg'hqt"eqpx'g'p'k'peg' qpn'0 " Rtqxf g' v'f r gf "ektewk" f'k'gev't'kgu' hqt" cmi' r c'pgr'dqctf u' cv' eqpen'wukqp" qh' y qtm' tgr t'gug'v'kpi "ektewku'cu'ce'wcm' "eqppge'v'gf "v"r c'pgr'dqctf 0"

"

" "

LO' Dtcpej "ektekw"y ktłpi "cpf "cttcpi go gpv'qh"j qo g"twpu"j cxg"dgpp"f guki pgf "hqt"o czko wo " geqqo {"eqpukngpv'y kj "cf gs wcvg"ukł kpi "hqt"xqnci g"f tqr u."ektekw"co r ceklgu"cpf "qjy gt" eqpukf gtcvkqpu'

"

" "

30' Kpucm' y g' y ktłpi "y kj "ektekw"cttcpi gf "cu"uj qy p"qp" y g" f tcy kpi u."gzeqv'cu" qjy gty kug"err tqxgf "kp"cf xcpeg"d{ "y g"Ctej kgev'cpf "Gpi kpggt0'

"

" "

40' Fq'pqv'o cng'ej cpi gu'cpf "tgcttcpi g'ektekw"y kj qwr' tkt'cr r tqxcr0'

"

" "

50' K'bo qtg'y cp"5"ewtgpv'ectt{ kpi "eqpf wvqtu'ctg'kpucngf "kp"qpg'eqpf wkv'y g{"uj cmi'dg" f gtcv'gf "kp"ceeqtf cpeg"y kj "y g"P cvkqpcn'Grge'le"Eqf g0"F q'pqv'kpucm'o qtg'y cp" y tgg"52"Co r "ukpi rg"r j cug"qt" hqt"42"Co r "ukpi rg"r j cug"ektekw"kp" y g"uco g" eqpf wkv0"

"

" "

MO' Ur rlegu'cpf 'Eqppgev'kpu'<

"

" "

30' O cngu'ur rlegu'grge'lecmf "cpf "o ge'j cplecmf "ugew'g'y kj "r tguu'w'g'v'f r g'eqppgev'qtu0'

"

" "

c0' Hqt" y ktgu" ukł g" % CY I " cpf " uo cmgt." r tqxkf g" uqrf gtrguu." uetgy /qp" eqppgev'qtu." oUeqvej /Nqenö" qt" gs wcn" 822X" tcvkpi ." qh' ukł g" cpf " v'f r g" vq" o cpw'cew'gt'at' tgeqo o gpf cvkqpu." y kj " wgo r gtcw'g" tcvkpi u" gs wcn' vq" y g" eqpf wvqt'kpuc'kqpu0'

"

" "

d0' O cng"ur rlegu" cpf " vgo kpc'kqpu" vq" eqpf wvqtu"%CY I " cpf " rcti gt" y kj " eqttq'kq'p/tgukncpv." j ki j "eqpf wv'k'k'f." r tguu'w'g" kpf gpv." j gz "uetgy "qt" dqm' erco r "eqppgev'qtu." y kj "qt" y kj qw'v'qpi wgu." f guki pgf "ur gek'lecmf "hqt" k'p'v'g'f "ugt'x'leg0'"Eqppgev'qtu" hqt" ecdrgu"472"neo k'f'cpf "rcti gt"uj cmi'j cxg" y q" erco r kpi " grgo gpv" qt" eqo r tgu'k'q'p" kpf gpv0' " Vgo kpc'ni" hqt" dwu" eqppgev'kpu'uj cmi'j cxg"y q" dqm'j qrgu0'"Ur rkdqm'eqppgev'qtu." Dwt'p'f { . "Kueq." qt" I tgcxgu."uj cmi'dg'ceegr vcdrg" hqt" cmi'ur rlegu"qh'eqpf wvqtu"%CY I " cpf " rcti gt0'

"

" "

40' Kpuw'v'g'ur rlegu'y kj "c"o k'p'ko wo "qh'y q"re{ gtu'qh'cm'y gev'gt." j gcx{ "f w'f." cdt'cuk'q'p" t'guk'ncpv": 07"o k'v'j lem"327" f gi tgg"EO'tcv'gf "x'k'p{ n'grge'v'lecm'v'cr g'y j g'g'kpuc'k'q'p"ku" t'gs w'k'g'f 0'V'cr g'ur rlegu"3" "v'ko gu'v'j g'y k'emp'guu'qh'y g'eqpf wvqt'kpuc'k'q'p0'

"

" "

50' Rtq'x'kf g"j ki j "eqpf wv'k'k'f" "eqr r gt"cm'j { "dqm'qp"n'v' u'y kj "r tguu'w'g' r'v'g"cpf "uq'eng'v" uetgy "qt" j gz" j gcf "uetgy "vq" cw'ej "y ktg" cpf "ecdrg" vq" f k'ueq'pp'gev' uy ke'j gu." v'cpuh'qto gtu."cpf "qjy gt"grge'v'lecm'gs w'k' o gpv'cu't'gs w'k'g'f 0'

"

" "

60' Rtq'x'kf g'ecdrg"t'gf w'el'pi "cf cr v'qt" r n'v' u'y j g'g't'gs w'k'g'f "hqt"v'go kpc'k'p' "q'x'gt'ukł g'ecdrg" vq"u'nc'p'f c'tf "ukł g"gs w'k' o gpv'n'v' u0'"Eqpf wvqt'ut'c'p'f u'uj cmi'p'q'v'dg'ew'k'p"q't'f g't'vq" h'k'v' gs w'k' o gpv'n'v' u0'

"

" "

70' Rtq'x'kf g'cp'v'k'z'kf cp'v'l'q'kp'v'eqo r q'wp'f "hqt" cmi'eq'p'f wvqt'eqppgev'kqpu0'

"

" "

507" QWNGV'DQZGU'<

"

" "

C0' Qd'v'k'p" gz'cev' r'q'ec'v'k'p'u" qh' q'w'rg'u" cpf " h'k'z'w't'g'u" h't'q'o " Qy p'g't" r t'k'q't" vq" t'q'w'i j k'p'i 0' " O cng" t'g'c'u'q'p'c'd'rg" e'j c'p'i g'u." cu" f g'h'k'p'g'f "d{ " Qy p'g't" k'p" r'q'ec'v'k'p'u" qh' q'w'rg'u" cpf " g's w'k' o gpv' r t'k'q't" vq" t'q'w'i j k'p'i ." cv'p'q" cf f k'k'q'p'c'n'eq'u0'I k'x'g' r c't'v'w'r'c't' c'v'g'p'v'k'q'p" vq" q'w'rg'u" k'p'uc'ng'f " k'p" cpf " c't'q'w'p'f " ec'ug'y q't'n0'

"

" "

D0' Cni'q'w'rg'v' d'q'z'g'u" k'p" h'k'p'k'uj g'f " c't'g'c'u" u'j c'm'i'd'g" e'q'p'eg'c'ng'f " h't'q'o " x'k'g'y " c'd'q'x'g" j w'p'i " e'g'k'k'p'i u" q't" t'g'g'eu'g'f " h'w'uj +k'p" y c'm'i'c'p'f " h'q'q'tu0'Q'w'rg'v' d'q'z'g'u" o c{ " q'p'n'f " d'g" g'z'r q'ug'f " vq" x'k'g'y " q't" u'w'h'c'eg" "

"

"

CKT'EQPFKIQPFI 'K UVCNNCVQOP'CV'HQWI'GNGO GPVCT['UEJ QQNU'

I NCUVQPDWT[.EQPPGEVKEW"

"

5Q "" O QVQT'RQY GT'CPF 'EQP VTQN'Y KFI <

"

C0 Eqpvtcevqt"uj cm'r tqxkf g"cpf "dg"tgur qpukdg"ht"vj g"eqo r rvg"r qy gt"y k lpi "qh"cm'o qvqtu" cpf "o qvqt k gf "gs wkr o gpv0

"

D0 Hwtpluj " r tqr gt" qxgtmcf " cpf " uj qtv' ekewk" r tqvgevqp" ht" cm' pgy " o qvqtu0 " Rtqxf g" c" eqo dlpvqp" vj gto cn' qxgtmcf " cpf " f kaeppgevt" ht" uy kej " cm' gs wkr o gpv' wukpi " htcevqpcn' j qtugr qy gt" b qvqtu0

"

E0 Ej gem'grgevtkecn'eqppgevkpu"cpf "uk lpi "qh'o qvqt"ekewk"r tqvgevqp"cpf "r tgxgpv'f co ci g"vq" o qvqt"cpf "gs wkr o gpv'htqo "kpeqttgevt'kgevqp"qh'tqcvkq0

"

F0 Rtqxf g" o qvkvpi "ht" o qvqt" cpf " gs wkr o gpv' f kaeppgevt" uy kej gu" cf lcegpv" vq" o qvqt" cpf " uwr r qtvgf "kpf gr gpf gpv'qh' b qvqt0

"

G0 O qvqt" uctvgtu" cpf " f kaeppgevt. " y j gtg' i tqwr gf. " uj cm' dg" b qvkvf " qp" o' vj km' h' k' g' t' gvctf cpv' r n' y qvqf " b qvkvpi " dqctf u' r kpvf " y kj " h' i j v' i t' c' { " h' k' g' t' g' uk' cpv' r kpv0

"

H0 Rtqxf g" kpvgtm' en' y k lpi " y j gtg' t' gs wkt gf " ht" o qvqtu" cpf " eqpvtqmgty. " y j gvj gt" uj qy p" qp" vj g" f tcy kpi u' qt' p' qv0

"

I 0 Eqppgevkpu" vq" o kvegrcpqwa' d' w' k' f' kpi " gs wkr o gpv<

"

" 30' Y ktg" vq" cpf " eqppgevt. " cm' kgo u' qh' d' w' k' f' kpi " gs wkr o gpv' p' qv' ur gek' h' e' c' m' { " f' g' u' e' t' k' d' g' f' " k' p' v' j' k' u' U' g' e' v' k' p' d' w' v' q' y' j' k' e' j' " g' r' g' e' v' t' k' e' c' n' r' qy' g' t' " k' u' t' g' s' w' k' t' g' f' 0

"

" 40' Eqqtf k' p' e' v' g' " cu" p' g' e' g' u' a' c' t' { " y' k' j' " q' v' j' g' t' " t' c' f' g' u' " c' p' f' " u' w' r' r' k' g' t' u' " v' q' " x' g' t' k' h' { " v' { " r' g' u' " p' w' o' d' g' t' u' " c' p' f' " h' e' c' v' k' p' u' " q' h' " g' s' w' k' r' o' g' p' v' 0

"

5082" I TQWPFPI "U UVGO <

"

C0 Rtqxf g" c" eqo r rvg" i tqwvf kpi " u{ ugo " y j lej " y km' vj qtqwi j n' " i tqwvf " vj g" pqp/ewtgpv' ectt { kpi " o gvcn' r ctu" qh' gxgt { " r kgeg" qh' kpuvcmgf " gs wkr o gpv. " cu" f guetkdgf " j gtgk" cpf " cu" kpf kcvgf " qp" vj g" f tcy kpi u0

"

D0 U{ ugo "uj cm' dg" o gej cplecm { " cpf " grgevtkecn { " eqppgevt " vq" r tqxkf g" cp" kpf gr gpf gpv' t' gwtp" r cvj " vq" vj g' i tqwvf kpi " uqwtegu0

"

E0 Gcej " i tqwvf kpi " eqpf vevqt" uj cm' j cxg" c" o k' p' l' o' w' o " ecr cekv { " qh' 47" r gtegpv' qh' vj g" tcvgf " ecr cekv { " qh' vj g" gs wkr o gpv' k' i' tqwvf u. " wprgu' vj gty kug' kpf kcvgf 0

"

F0 Vj g' o k' p' l' o' w' o " uk' g' qh' i' tqwvf kpi " eqpf vevqtu' uj cm' dg' P q034' CY I " eqr r gt0 " k' p' u' w' r' v' k' p' " eqrtt" qh' i' tqwvf kpi " eqpf vevqtu' uj cm' dg' i' tggp0

"

G0 Rtqxf g" k' p' u' w' r' v' g' f' " vj tqcv" i tqwvf kpi " dwuj kpi u" cv' cm' hggf gt" eqpf wk" eqppgevkpu" vq" uy kej dqctf u. " r cpgrdqctf u. " f kaeppgevt uy kej gu. " y kgy c { u. " cpf " r wni' dqzgu0 " Eqppgevt i tqwvf kpi " dwuj kpi u' y kj k' p' g' e' j' " g' p' e' r' u' w' t' g' . " d' c' e' n' d' q' z' . " y' k' t' g' y' c' { . " q' t' r' w' n' i' d' q' z' " d' { " %6" CY I " d' c' t' g' " eqr r gt " d' q' p' f' k' p' i " eqpf vevqt " eqppgevt " vq" c' i' tqwvf kpi " n' w' i' " y' g' r' f' g' f' " vq" vj g' " g' p' e' r' u' w' t' g' . " d' c' e' n' d' q' z' . " y' k' t' g' y' c' { . " q' t' r' w' n' i' d' q' z' 0

"

H0 Rtqxf g" c' ugr ctcvg' i tggp' i tqwvf " eqpf vevqt " ht " gcej " hggf gt " cpf " dtcpej " ekewk0

"

- G. Grounding of Motors: Motors shall be grounded by connecting a green covered conductor from a grounding bushing in the starter to the motor frame. Conductor shall be installed in the conduit with the circuit conductors and terminated in the motor connection box, providing the terminal is mechanically connected to the frame. If this is not feasible, grounding conductor from the starter shall be extended through an insulated bushed opening in the connection box and connected to motor base.
- H. Tests: Entire system shall be thoroughly tested on completion for ground continuity and capacity. Provide not more than 10 ohms resistance between main ground system and equipment frame system neutral and/or derived neutral point.

3.11 SPECIAL REQUIREMENTS:

- A. Wiring shall be bundle tied where passing through pull boxes, wireways, and panelboards in neat and orderly manner with plastic cable ties. Cable ties shall be Ty-Raps as manufactured by Thomas & Betts, or equal.
- B. Turn branch circuits and auxiliary system wiring out of wiring gutters at 90 degrees to circuit breakers and terminal lugs.
- C. Provide two spare 1 1/2 inch conduits for flush panels. Conduits shall extend from top of each panel to one foot above hung ceilings, turn out from wall toward panel access side and terminate with nylon bushing.
- D. Provide miscellaneous hardware and support accessories, including support rods, nuts, bolts, screws, and other such items, with galvanized or cadmium plated finish, or other approved rust inhibiting coatings.
- E. Unload electrical equipment and materials delivered to site. Pay cost for rigging, hoisting, lowering and moving electrical equipment on site, in building or on roof. During construction provide additional protection against moisture, dust accumulation and physical damage of electrical equipment. Provide temporary heaters within units, as approved to evaporate excessive moisture and provide ventilation as required.

3.12 TESTING AND INSPECTION:

- A. Provide personnel and equipment, make required tests, and secure required approvals from the Architect and governmental agencies having jurisdiction.
- B. When material and/or workmanship is found to not comply with the specified requirements, within three days after receipt of notice of such non-compliance remove the non-complying items from the job site and replace them with items complying with the specified requirements, all at no additional cost to the Owner.
- C. Perform all required adjustments and settings. Verify and correct deficiencies as necessary including voltages, tap settings, trip settings and phasing of equipment from distribution system to point of use.
- D. Provide all necessary testing equipment.

- E. Test wiring, buswork, and connections for continuity and ground by “megger” test. Minimum insulation resistance between conductors and ground shall be as follows:
 - 1. For circuits of #14 or #12 AWG wire: 1,000,000 ohms.
 - 2. Conductor current carrying capacities from 25 to 50 amperes, inclusive: 250,000 ohms.
 - 3. Conductor current carrying capacities from 51 to 100 amperes, inclusive: 100,000 ohms.
 - 4. Conductor current carrying capacities from 101 to 200 amperes, inclusive: 50,000 ohms.
 - 5. Conductor current carrying capacities from 201 to 400 amperes, inclusive: 25,000 ohms.
 - 6. Conductor current carrying capacities from 401 to 800 amperes, inclusive: 12,000 ohms.
 - 7. Conductor current carrying capacities over 800 amperes: 5,000 ohms.

- F. Main ground electrode system shall not exceed 10 ohms unless specified otherwise.
 - 1. Verify ground resistance by ground continuity test between main ground system and equipment frame system neutral and/or derived neutral point.
 - 2. Perform ground continuity test by passing minimum of ten Amps DC between ground reference system and ground point. Calculate resistance by voltage drop method.

- G. In the Owner’s Presence:
 - 1. Test all parts of the electrical system and prove that all such items provided under this Section function electrically in the required manner.

- H. Balance all panels as follows:
 - 1. Turn on all lighting and equipment served by a panel and measure the current in each branch circuit phase and neutral conductor and in each phase and neutral bus-bar. Log all measurements taken and then correct imbalance by substituting branch circuits from phase to phase until optimum balance is achieved. Log all final current measurements and submit for the Engineer’s review.
 - 2. Also measure and log voltages between each phase bus-bar and between each phase bus-bar and neutral bus-bar and submit measurements for the Engineer’s review.

3.13 PROJECT COMPLETION:

- A. Upon completion of the work of this Section, thoroughly clean all exposed portions of the electrical installation, removing all traces of soil, labels, grease, oil and other foreign material, and using only the type cleaner recommended by the manufacturer of the item being cleaned.

- B. Vacuum all exteriors and interiors of switchboards, panelboards, safety switches, and equipment racks to remove all dust, dirt, cable clippings, etc.
- C. Equipment with damage to painted finish shall be repaired to satisfaction of the Owner.
- D. On the first day the facility is in operation, for at least eight hours, at a time directed by the Owner, provide a qualified foreman and crew to perform such electrical work as may be required by the Owner.
- E. Thoroughly indoctrinate the Owner's operation and maintenance personnel in the contents of the operations and maintenance manual required to be submitted under these Specifications.

3.14 EQUIPMENT SPECIFIED:

- A. Contractor shall furnish equipment or systems in manufacturers specified or named herein or on the drawings. No other manufacturers shall be considered.

END OF SECTION 26 05 00